

All Movex **NoseBar** are made in **Blulub®**, with the latest generation of solid lubricants.

High precision machined part with reduced tolerances over nose radius and flatness.

Complete interchangeability between versions: Standard, with Bearings and with Rollers

Available in several widths to fit different modular belt series and sizes.

Provided with countersunk holes for a quick installation on the line and if required with grooves for positioners.

Three different options, fully interchangeable:



Standard GENERAL APPLICATIONS

Static NoseBars with unique properties due the special Movex *BluLub®* compound are the ideal choice for any type of application, help improving the line efficiency, reducing dust and the frequency of maintenance.

- Available diameters: 6 / 19 / 22 mm
- Available also with grooves for positioners
- Can be machined to width, according your needs



with Bearings HIGH-SPEED APPLICATIONS

Dynamic NoseBars with Bearings help improving the line efficiency and grant a longer life compared to traditional ones, minimizing the coefficient of friction and generating less wear. The rotating chrome steel bearings create an improved situation specific for high-speed applications.

- Available diameters: 19 / 22 mm
- Available also with grooves for positioners
- Can be machined to width, according your needs



with Rollers HIGH-LOAD APPLICATIONS

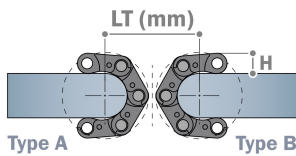
Dynamic NoseBars with Rollers and bearings are long-lasting component that increase the efficiency of the processing line. Thanks to its sturdy stainless steel rollers, they are also the ideal choice for heavy load applications or high abrasive working conditions like dusts, liquids, etc.

- Available diameter: 19 mm
- Available also with grooves for positioners (only for 521 FT)
- Can be machined to width, according your needs

NoseBar selection and Transfer lengths

Movex modular belts				Belt Pitch (mm)	Nosebar Ø (mm)	STANDARD	WITH BEARINGS	WITH ROLLERS
7870 Series				8	6	Page 307	NOT APPLICABLE	NOT APPLICABLE
520 FT	520 HD FT	520 FTT	520 FG	12,7	19*	Page 307	Page 311	Page 314
520 GT	520 LBP	520 PRO LBP	520 M					
521 FT				12,7	19*	Page 308	Page 311	Page 314
522 HD FT		522 HD OTB		12,7	19*	Page 308	Page 312	Page 315
525 HD FT	525 FTT	525 HD FG	525 HD GT	15	19*	Page 307	Page 311	Page 314
530 FT	530 FTT	530 GT	530 GT SI	15	19*	Page 309	Page 312	Page 315
530 LBP				15	19*	Page 309	Page 313	NOT APPLICABLE
530 PRO LBP				15	19*	Page 310	Page 313	NOT APPLICABLE

Also available Ø22mm.



Modular belt - Type B

Modular belt - Type A	Modular belt - Type B													
	7870 FT	520 HD FT	520 FG	521 FT	522 HD FT	525 HD FT	525 HD FG	530 FT	520 GT	525 HD GT	530 LBP	530 PRO LBP	520 PRO LBP	520 LBP
7870 FT - H 6mm	22	31	31	31	31	31	31	31	33	33	33,5	33,5	38,5	41,5
520 HD FT - H 8,7mm	31	40	40	40	40	40	40	40	42	42	43	43	48	51
520 FG - H 8,7mm	31	40	40	40	40	40	40	40	42	42	43	43	48	51
521 FT - H 8,7mm	31	40	40	40	40	40	40	40	42	42	43	43	48	51
522 HD FT - H 8,7mm	31	40	40	40	40	40	40	40	42	42	43	43	48	51
525 HD FT - H 8,7mm	31	40	40	40	40	40	40	40	42	42	43	43	48	51
525 HD FG - H 8,7mm	31	40	40	40	40	40	40	40	42	42	43	43	48	51
530 FT - H 8,7mm	31	40	40	40	40	40	40	40	42	42	43	43	48	51
520 GT - H 10,7mm	33	42	42	42	42	42	42	42	44	44	45	45	50	53
525 HD GT - H 10,7mm	33	42	42	42	42	42	42	42	44	44	45	45	50	53
530 LBP - H 12,2mm	33,5	43	43	43	43	43	43	43	45	45	45	45	50	53
530 PRO LBP - H 12,2mm	33,5	43	43	43	43	43	43	43	45	45	45	45	50	53
520 PRO LBP - H 18mm	38,5	48	48	48	48	48	48	48	50	50	50	50	55	58
520 LBP - H 20,7mm	41,5	51	51	51	51	51	51	51	53	53	53	53	58	61

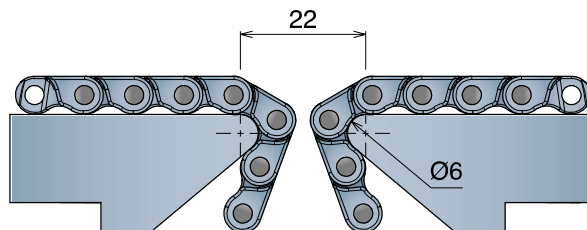
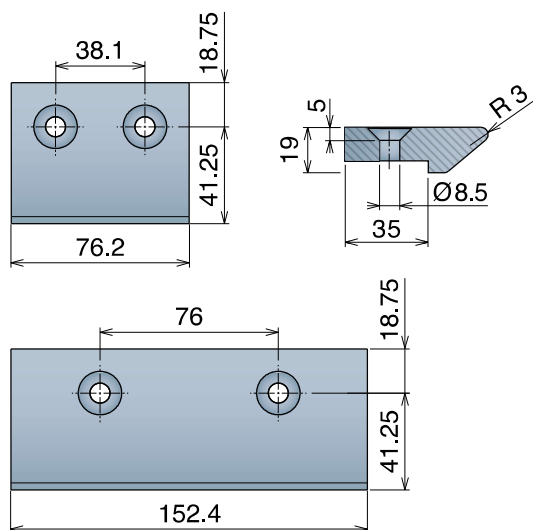
NoseBars for 7870 Series

Delivery: **Easy** **Standard**

Article-Nr. K (mm)

22818 76,2 (3')

22819 152,4 (6')



NoseBars for 520/525 Series

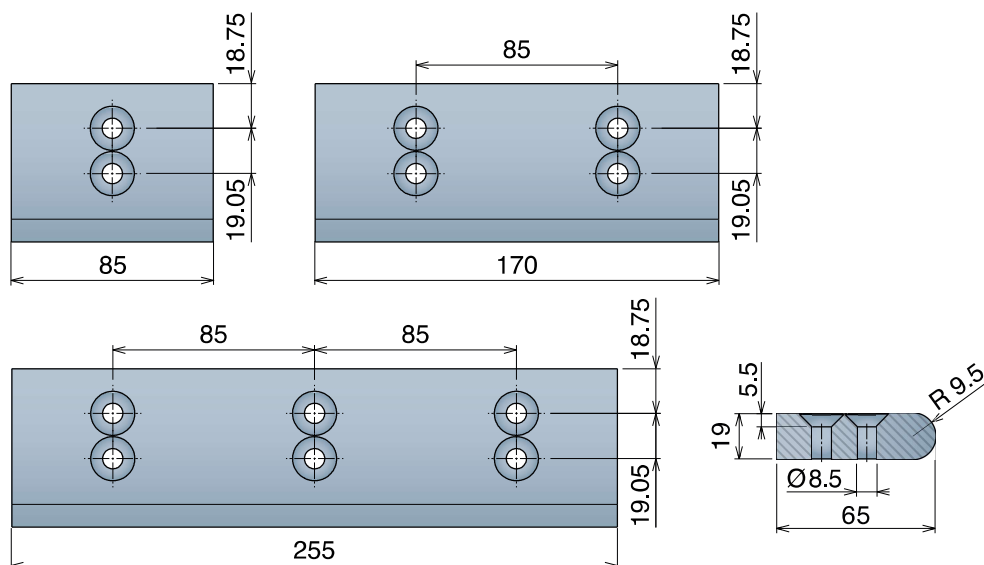
Delivery: **Easy** **Standard**

Article-Nr. K (mm)

22801 85

22802 170

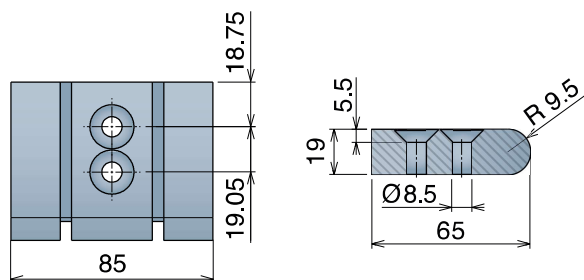
22803 255



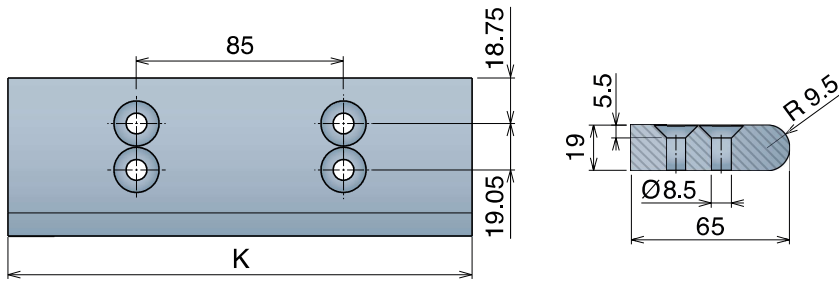
Version B - With 1 Positioner | Version C - With 2 Positioners

Article-Nr. K (mm)

22807 85

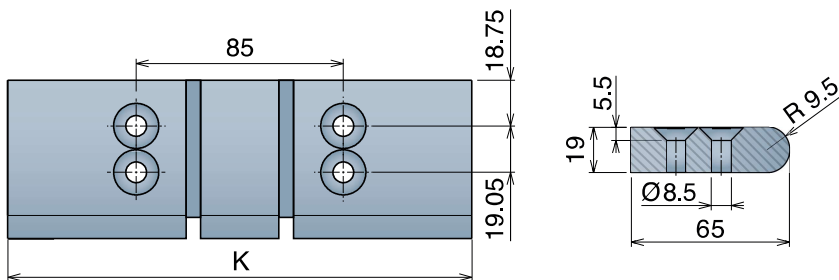


NoseBars for 521 Series



Article-Nr.	K (mm)
22846	114,3 (4.5')
22840	190,5 (7.5')

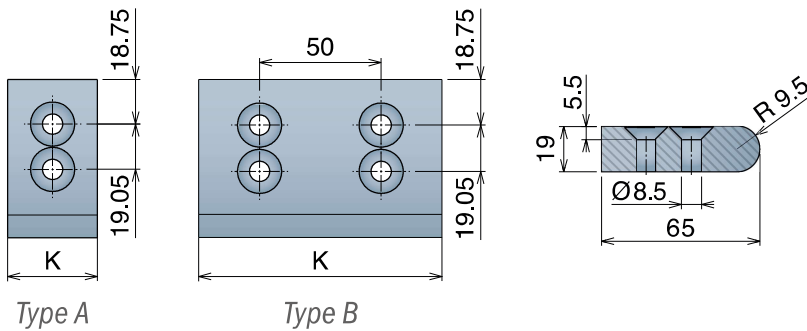
Version B - With 1 Positioner | Version C - With 2 Positioners



Article-Nr.	K (mm)
22837	114,3 (4.5')
22843	190,5 (7.5')

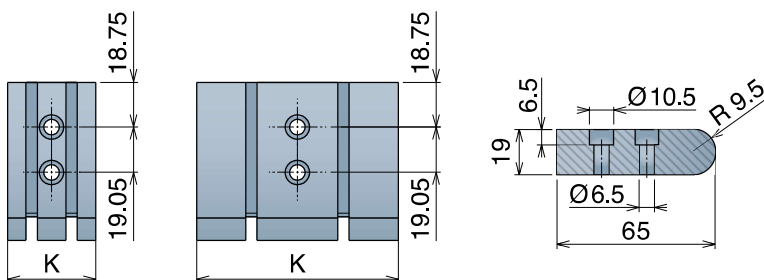
NoseBars for 522 HD Series

Delivery: **Easy** **Standard**



Article-Nr.	K (mm)	Type
22820	29	A
22821	34	A
22822	37	A
22823	51 (2')	A
22808	76,2 (3')	A
22824	100	B

Version B - With 1 Positioner | Version C - With 2 Positioners



Article-Nr.	K (mm)
22820P	29
22821P	34
22822P	37
22823P	51 (2')
22808P	76,2 (3')

NoseBars for 530 Series

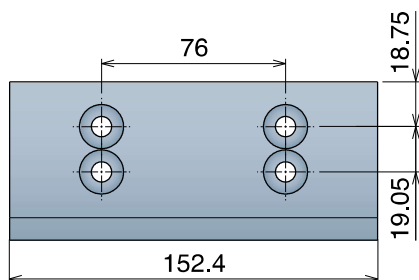
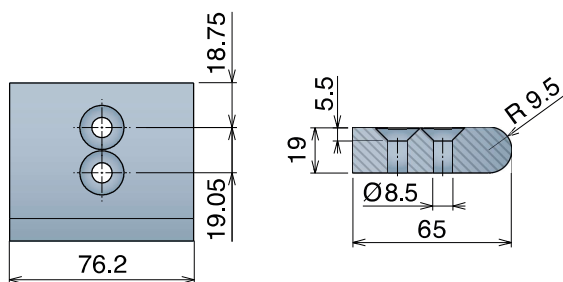
(LBP version excluded)

Delivery: **Easy** **Standard**

Article-Nr. K (mm)

22808 76,2 (3')

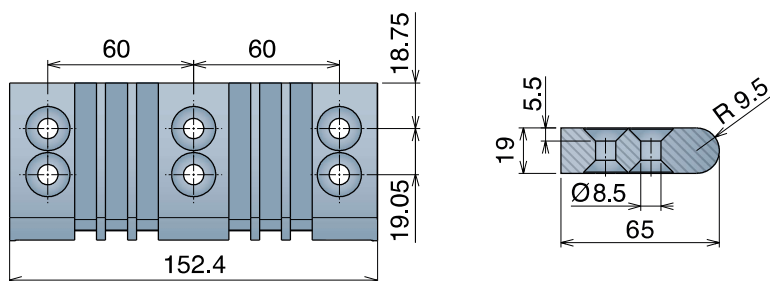
22809 152,4 (6')



NoseBar for 530 LBP

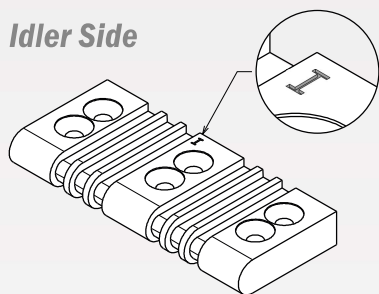
Article-Nr. K (mm)

22867 152,4 (6')

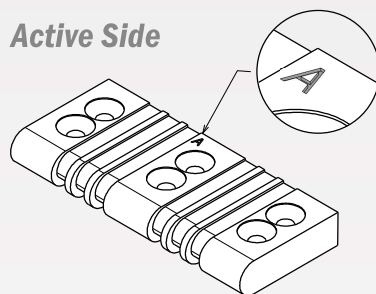


How to use Movex 530 LBP double-face Nosebar

Idler Side

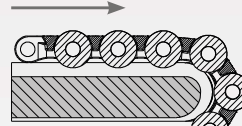


Active Side



Movex 530 LBP Nosebars are special Nosebars, specific to optimize the characteristics of this particular belt. It can be installed in two different ways: **idler side** and **active side**, depending if you want to obtain the accumulation or acceleration effects of the goods. In both modalities the same Nosebar is used: it simply needs to be installed on one side rather than the other. One face of the Nosebar is set up for the accumulation function and the opposite one for the acceleration function.

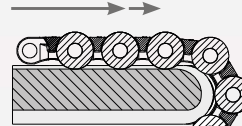
V = X



Idler System (sectional view)

The nosebar allows the belts rollers to remain raised above the surface, free to roll.

V = 2X

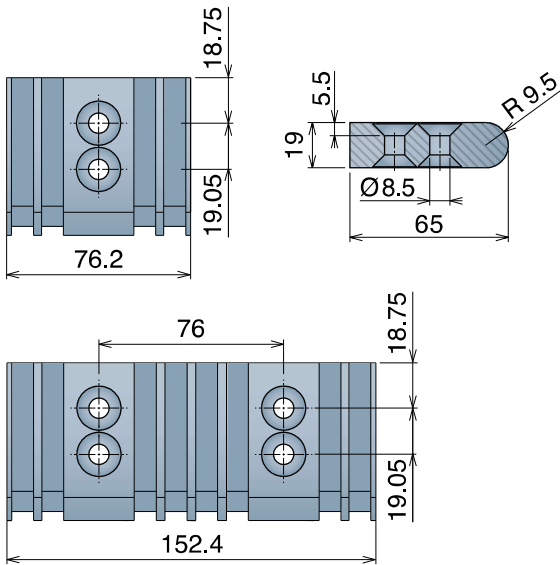


Active System (sectional view)

The nosebar allows the belt rollers to touch the surface, increasing the speed of the goods.

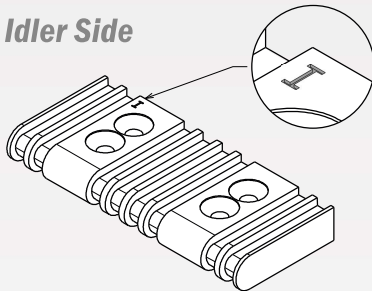
NoseBar for 530 PRO LBP

Article-Nr.	K (mm)
22865	76,2 (3')
22866	152,4 (6')

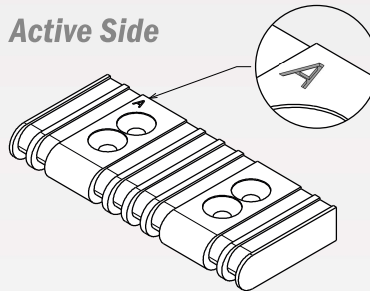


How to use Movex 530 Pro LBP double-face Nosebar

Idler Side

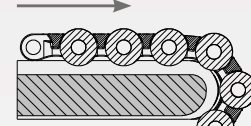


Active Side



Movex 530 Pro LBP Nosebars are special Nosebars, specific to optimize the characteristics of this particular belt. It can be installed in two different ways: **idler side** and **active side**, depending if you want to obtain the accumulation or acceleration effects of the goods. In both modalities the same Nosebar is used: it simply needs to be installed on one side rather than the other. One face of the Nosebar is set up for the accumulation function and the opposite one for the acceleration function.

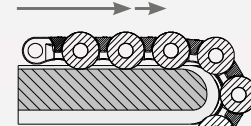
V = X



Idler System (sectional view)

The nosebar allows the belts rollers to remain raised above the surface, free to roll.

V = 2X

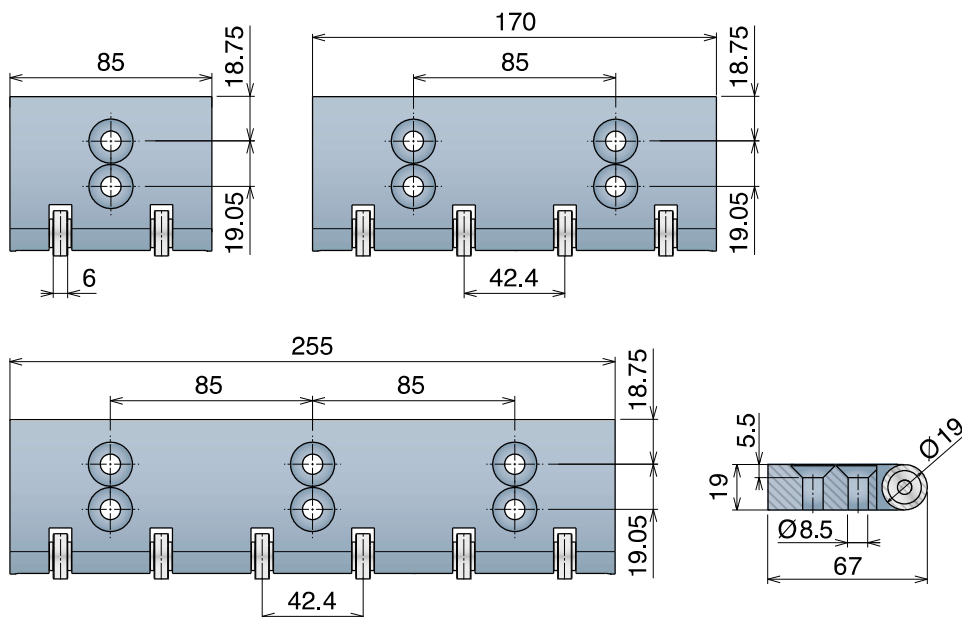


Active System (sectional view)

The nosebar allows the belt rollers to touch the surface, increasing the speed of the goods.

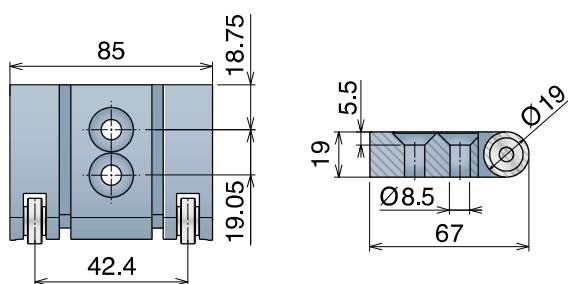
NoseBars with Bearings for 520/525 Series

Delivery: **Easy** Standard



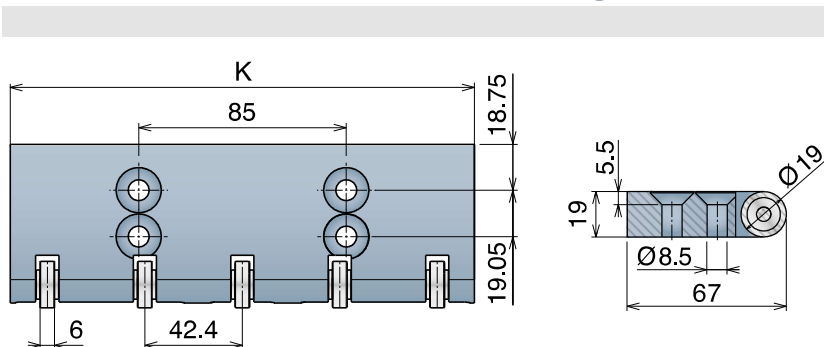
Article-Nr.	K (mm)
22811	85
22812	170
22813	255

Version B - With 1 Positioner | Version C - With 2 Positioners



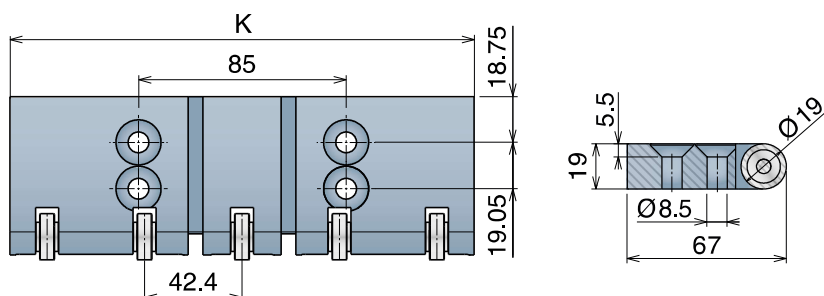
Article-Nr.	K (mm)
22817	85

NoseBars with Bearings for 521 Series



Article-Nr.	K (mm)
22848C	114,3 (4.5')
22842C	190,5 (7.5')

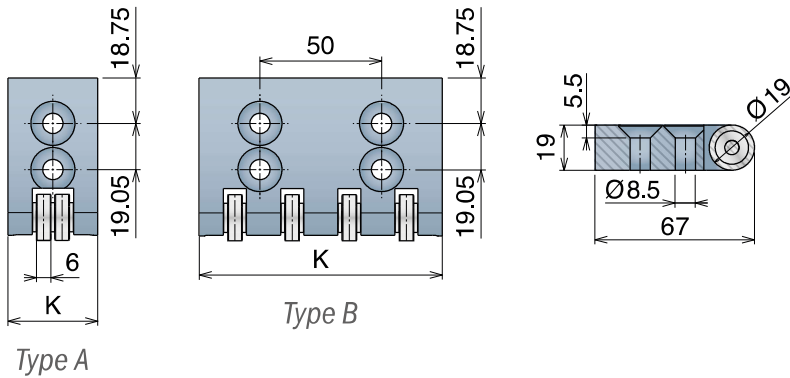
Version B - With 1 Positioner | Version C - With 2 Positioners



Article-Nr.	K (mm)
22838C	114,3 (4.5')
22845C	190,5 (7.5')

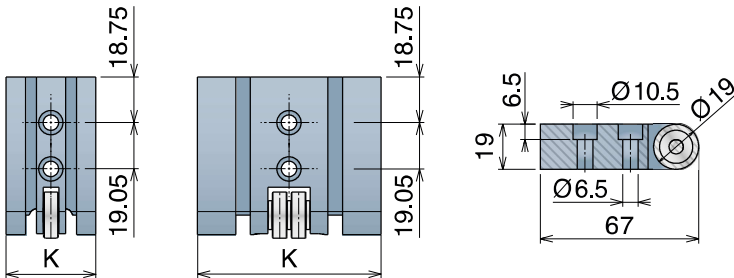
NoseBars with Bearings for 522 HD Series

Delivery: **Easy** Standard



Article-Nr.	K (mm)	Type
22850	29	A
22851	34	A
22852	37	A
22853	51 (2')	A
22861	76,2 (3')	A
22854	100	B

Version B - With 1 Positioner | Version C - With 2 Positioners

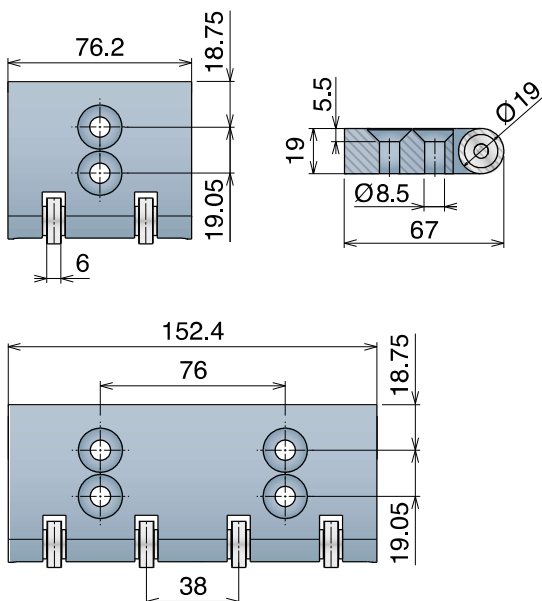


Article-Nr.	K (mm)
22850P	29
22851P	34
22852P	37
22853P	51 (2')
22861P	76,2 (3')

NoseBars with Bearings for 530 Series

(LBP version excluded)

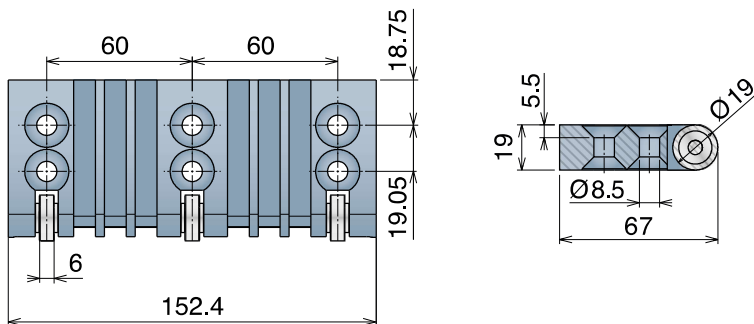
Delivery: **Easy** Standard



Article-Nr.	K (mm)
22861	76,2 (3')
22862	152,4 (6')

NoseBar with Bearings for 530 LBP

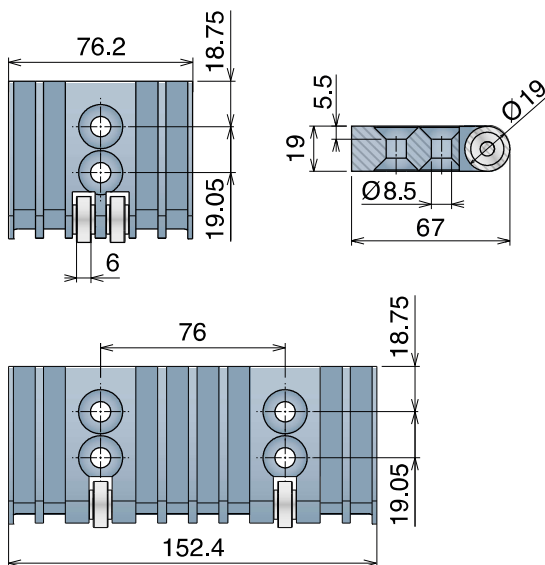
Article-Nr.	K (mm)
22868	152,4 (6')



NoseBars with Bearings for 530 PRO LBP

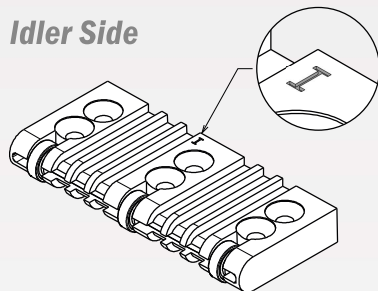
Delivery: **Easy** Standard

Article-Nr.	K (mm)
22863	76,2 (3')
22864	152,4 (6')

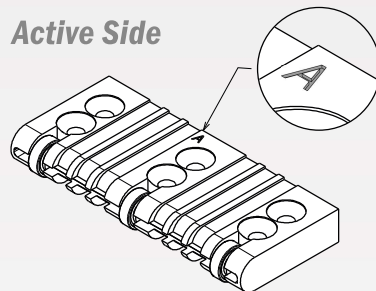


How to use Movex 530 LBP and Pro LBP double-face Nosebar

Idler Side

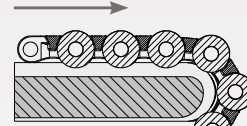


Active Side



Movex 530 LBP and Pro LBP Nosebars are special Nosebars, specific to optimize the characteristics of this particular belt. It can be installed in two different ways: **idler side** and **active side**, depending if you want to obtain the accumulation or acceleration effects of the goods. In both modalities the same Nosebar is used: it simply needs to be installed on one side rather than the other. One face of the Nosebar is set up for the accumulation function and the opposite one for the acceleration function.

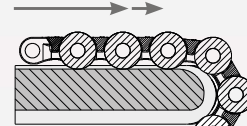
$V = X$



Idler System (sectional view)

The nosebar allows the belts rollers to remain raised above the surface, free to roll.

$V = 2X$



Active System (sectional view)

The nosebar allows the belt rollers to touch the surface, increasing the speed of the goods.

NoseBars with Rollers

NoseBars / NoseBars / NoseBars

Materiale / Material / Materialien:

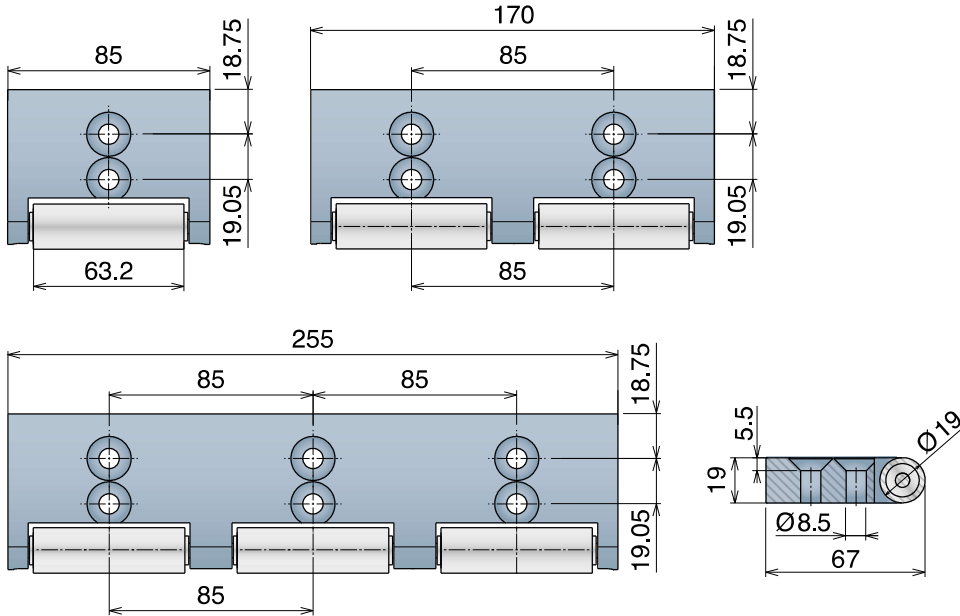
BluLub Cuscinetti: Acciaio al cromo / Bearings: Chrome steel / Lagereinsätze: Chrom-Stahl

Rulli: Acciaio inox / Rollers: Stainless steel / Rollen: Edelstahl

NoseBars with Rollers for 520/525 HD Series

Delivery: **Easy** **Standard**

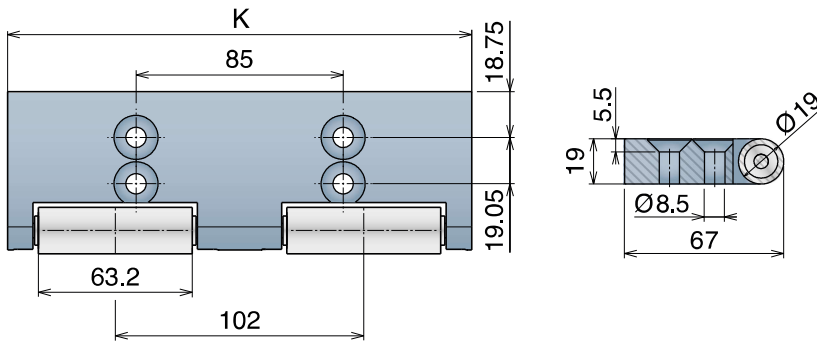
Article-Nr. K (mm)



22814	85
22815	170
22816	255

NoseBars with Rollers for 521 Series

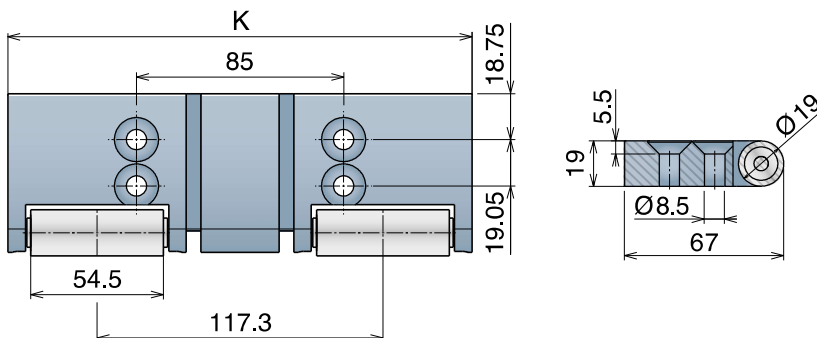
Article-Nr. K (mm)



22847B	114,3 (4.5')
22841B	190,5 (7.5')

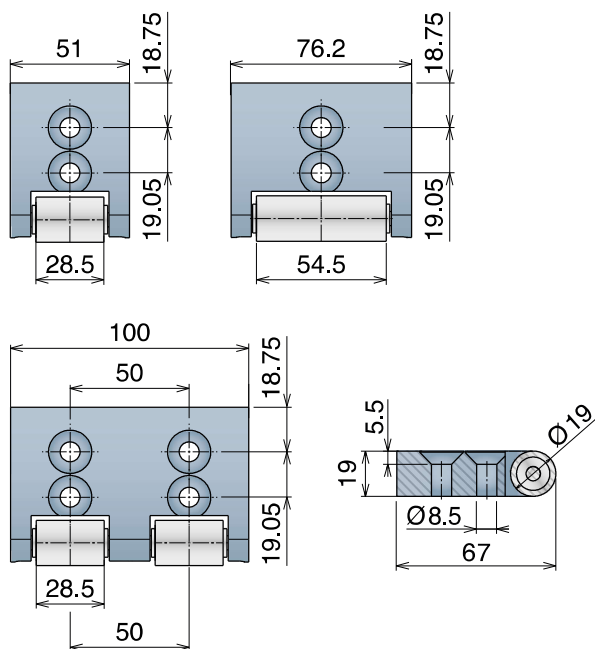
Version B - With 1 Positioner | Version C - With 2 Positioners

Article-Nr. K (mm)



22844B	190.5 (7.5')
---------------	--------------

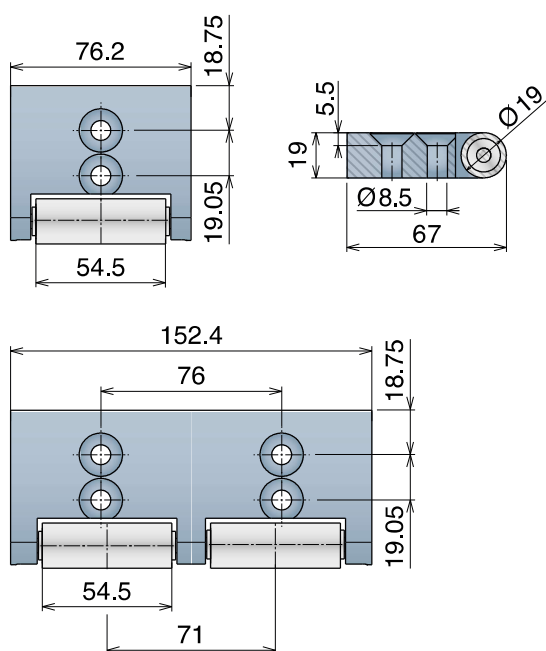
NoseBars with Rollers for 522 HD Series



Article-Nr.	K (mm)
22823B	51 (2')
22808B	76,2 (3')
22824B	100

NoseBars with Rollers for 530 Series

(LBP version excluded)



Article-Nr.	K (mm)
22808B	76,2 (3')
22809B	152,4 (6')

One piece Standard

RANGE EXTENSION

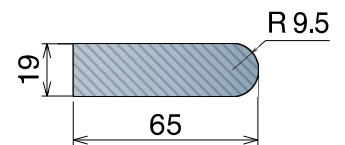
PATENTED

IDEAL FOR GENERAL APPLICATIONS

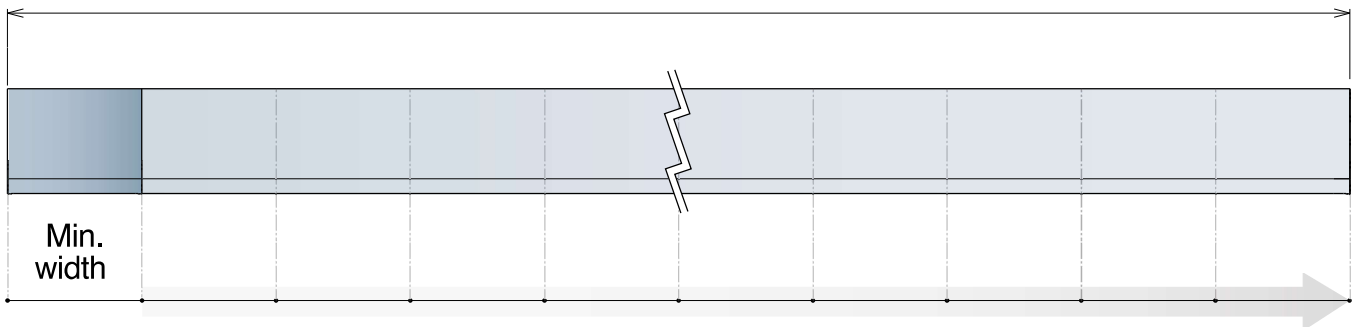
The custom made Movex Nosebars supplied in a single piece to perfectly match your needs.



One piece is a machined-to-width nosebar patented by Movex that greatly reduces the time necessary for the conveyor maintenance: being a single piece, of the required width, it is quick to install, easy to clean and offer a better level of hygiene.



Max width available = 1500 mm



520/525 Series

Min width:
85 mm

Article-Nr.	K (mm)
2280425	425
2280510	510
2280595	595
2280680	680
2280765	765
2280850	850

522 HD Series

Min width:
50 mm

Article-Nr.	K (mm)
2280200	200
2280250	250
2280300	300
2280350	350
2280400	400
2280450	450

530 Series

Min width:
3 inch

Article-Nr.	K (mm)
2280457	457,2
2280533	533,4
2280610	609,6
2280686	685,8
2280762	762
2280838	838,2

Available different widths and with holes on request.

Advantages:

- Single piece
- Improved strength
- Less fixing point
- Fast maintenance
- Hygienical concept
- Easy clean
- Easy to install
- Reduced friction

One piece with Bearings

RANGE EXTENSION

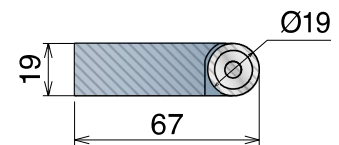
PATENTED

IDEAL FOR HIGH-SPEED APPLICATIONS

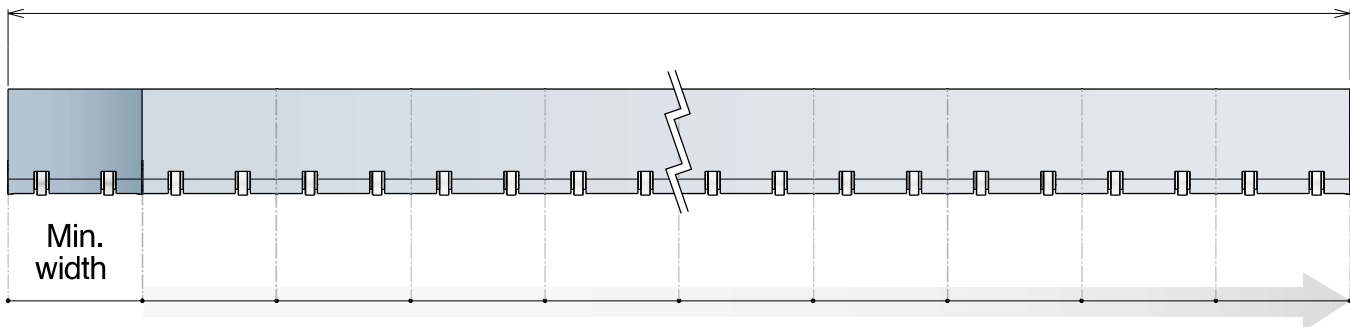
The custom made Movex Nosebars supplied in a single piece to perfectly match your needs.



One piece with Bearings is a machined-to-width nosebar patented by Movex that greatly reduces the time necessary for the conveyor maintenance: being a single piece with bearings, of the required width, it is quick to install, easy to clean, offers a better level of hygiene and is ideal for high-speed applications.



Max width available = 1500 mm



520/525 Series

Min width:
85 mm

Article-Nr.	K (mm)
2280425C	425
2280510C	510
2280595C	595
2280680C	680
2280765C	765
2280850C	850

522 HD Series

Min width:
50 mm

Article-Nr.	K (mm)
2280200C	200
2280250C	250
2280300C	300
2280350C	350
2280400C	400
2280450C	450

530 Series

Min width:
3 inch

Article-Nr.	K (mm)
2280457C	457,2
2280533C	533,4
2280610C	609,6
2280686C	685,8
2280762C	762
2280838C	838,2

Available different widths and with holes on request.

Advantages:

- Single piece
- Improved strength
- Less fixing point
- Fast maintenance
- Hygienical concept
- Easy clean
- Easy to install
- Reduced friction

One piece with Rollers

NoseBars / NoseBars / NoseBars

Material / Material / Materialien: **BluLub**

Cuscinetti: Acciaio al cromo / Bearings: Chrome steel /

Lagereinsätze: Chrom-Stahl

Rulli: Acciaio inox / Rollers: Stainless steel / Rollen: Edelstahl

One piece with Rollers

RANGE EXTENSION

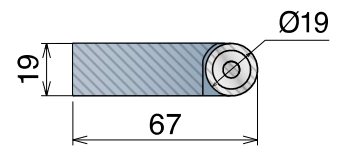
PATENTED

IDEAL FOR HIGH-LOAD APPLICATIONS

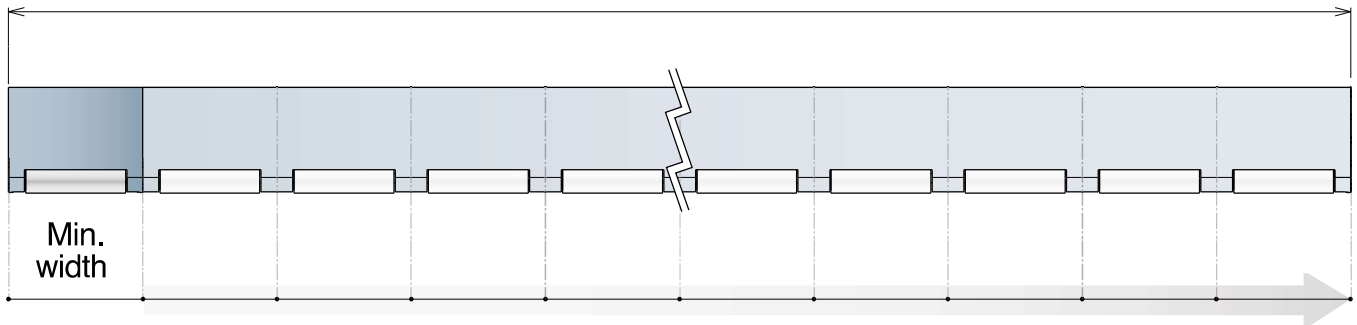
The custom made Movex Nosebars supplied in a single piece to perfectly match your needs.



One piece with Rollers and bearings is a machined-to-width nosebar patented by Movex that greatly reduces the time necessary for the conveyor maintenance: being a single piece with Rollers, of the required width, it is quick to install, easy to clean, offers a better level of hygiene and is ideal for heavy-load applications.



Max width available = 1500 mm



520/525 Series

Min width: 85 mm

Article-Nr.	K (mm)
2280425B	425
2280510B	510
2280595B	595
2280680B	680
2280765B	765
2280850B	850

522 HD Series

Min width: 50 mm

Article-Nr.	K (mm)
2280200B	200
2280250B	250
2280300B	300
2280350B	350
2280400B	400
2280450B	450

530 Series

Min width: 3 inch

Article-Nr.	K (mm)
2280457B	457,2
2280533B	533,4
2280610B	609,6
2280686B	685,8
2280762B	762
2280838B	838,2

Available different widths and with holes on request.

Advantages:

- Single piece
- Improved strength
- Less fixing point
- Fast maintenance
- Hygienical concept
- Easy clean
- Easy to install
- Reduced friction