

leveling pads

Ø40-Ø50-Ø60



pag. 224

Ø80-Ø100



pag. 226

Ø80-Ø100-Ø120



pag. 228

Ø110



pag. 230

Ø123



pag. 232

Ø123



pag. 234

Ø50-Ø75-Ø100-Ø125



pag. 236

Ø75-Ø100



pag. 238

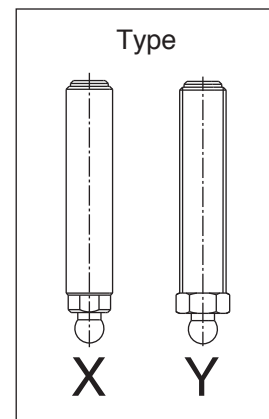
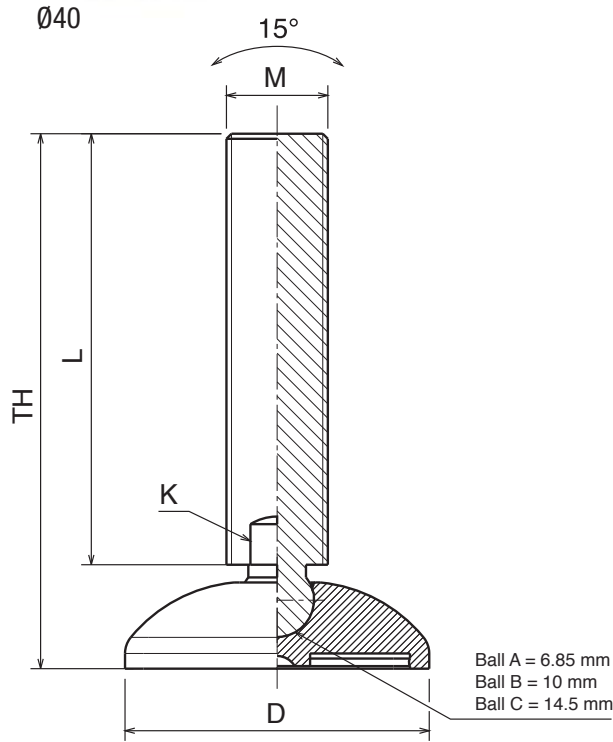
Ø123



pag. 240



Materiale:	Material:	Materialien:
Basi: Poliammide	Base plate: Polyamide	Fussplatte: Polyamid
Stelo: Acciaio inox o Ferro zincato	Spindle: Stainless steel or Zinc plated steel	Spindel: Edelstahl oder Stahl Verzinkt



ACCESSORI / ACCESSORIES / ZUBEHÖR

Gomma anti-scivolo / Anti-slip pad / Gummiplatte



Part	Article-Nr.	For base
996	99601	Ø40
996	99602	Ø50
996	99603	Ø60

Dadi acciaio inox / Stainless steel nuts / Mutter Edelstahl



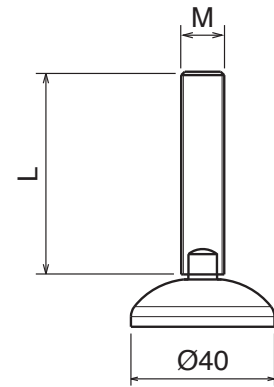
Part	Article-Nr.	Spindle
998	99801	M10
998	99802	M12
998	99804	M16
998	99805	M20

Piede diam. 40 mm / Leveller diam. 40 mm / Gelenkfuss Diam. 40 mm

Part	Spindle material		D	Spindle	K	TH	L	Ball	Type	N
	SS	Fe.Zn.								
901	90101	90101Z	40	M10	7	50	35	A	X	10.000
901	90102	90102Z	40	M10	7	100	85	A	X	10.000
901	90103	90103Z	40	M10	7	150	135	A	X	10.000
902	90201	90201Z	40	M12	9	75	60	B	X	12.000
902	90202	90202Z	40	M12	9	100	85	B	X	12.000
902	90203	90203Z	40	M12	9	150	135	B	X	12.000
903	90301	90301Z	40	M16	13	75	60	B	X	15.000
903	90302	90302Z	40	M16	13	100	85	B	X	15.000
903	90303	90303Z	40	M16	13	150	135	B	X	15.000
903	90301H	90301ZH	40	M16	16	75	60	B	Y	15.000
903	90302H	90302ZH	40	M16	16	100	85	B	Y	15.000
903	90303H	90303ZH	40	M16	16	150	135	B	Y	15.000

SS: Acciaio inox / Stainless steel / Edelstahl

FeZn: Ferro zincato / Zinc plated steel / Stahl Verzinkt

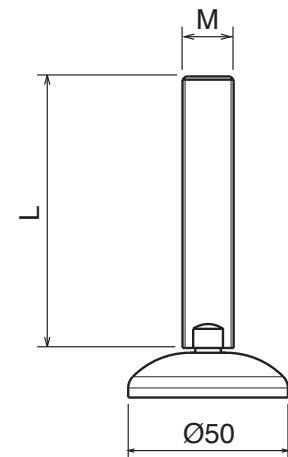


Piede diam. 50 mm / Leveller diam. 50 mm / Gelenkfuss Diam. 50 mm

Part	Spindle material		D	Spindle	K	TH	L	Ball	Type	N
	SS	Fe.Zn.								
904	90401	90401Z	50	M10	7	50	35	A	X	10.000
904	90402	90402Z	50	M10	7	100	85	A	X	10.000
904	90403	90403Z	50	M10	7	150	135	A	X	10.000
905	90501	90501Z	50	M12	9	75	60	B	X	12.000
905	90502	90502Z	50	M12	9	100	85	B	X	12.000
905	90503	90503Z	50	M12	9	150	135	B	X	12.000
906	90601	90601Z	50	M16	13	75	60	B	X	15.000
906	90602	90602Z	50	M16	13	100	85	B	X	15.000
906	90603	90603Z	50	M16	13	150	135	B	X	15.000
906	90601H	90601ZH	50	M16	16	75	60	B	Y	15.000
906	90602H	90602ZH	50	M16	16	100	85	B	Y	15.000
906	90603H	90603ZH	50	M16	16	150	135	B	Y	15.000

SS: Acciaio inox / Stainless steel / Edelstahl

FeZn: Ferro zincato / Zinc plated steel / Stahl Verzinkt

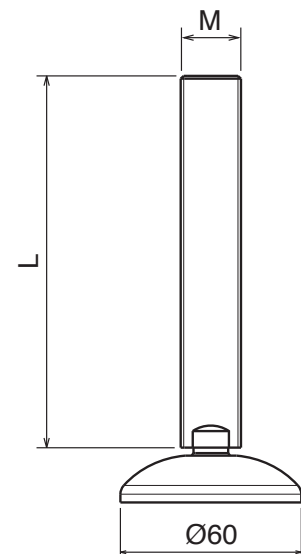


Piede diam. 60 mm / Leveller diam. 60 mm / Gelenkfuss Diam. 60 mm

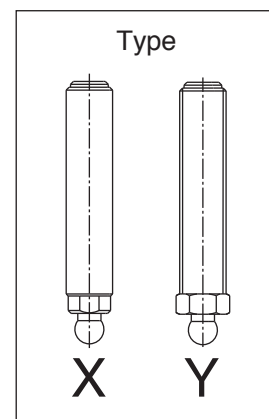
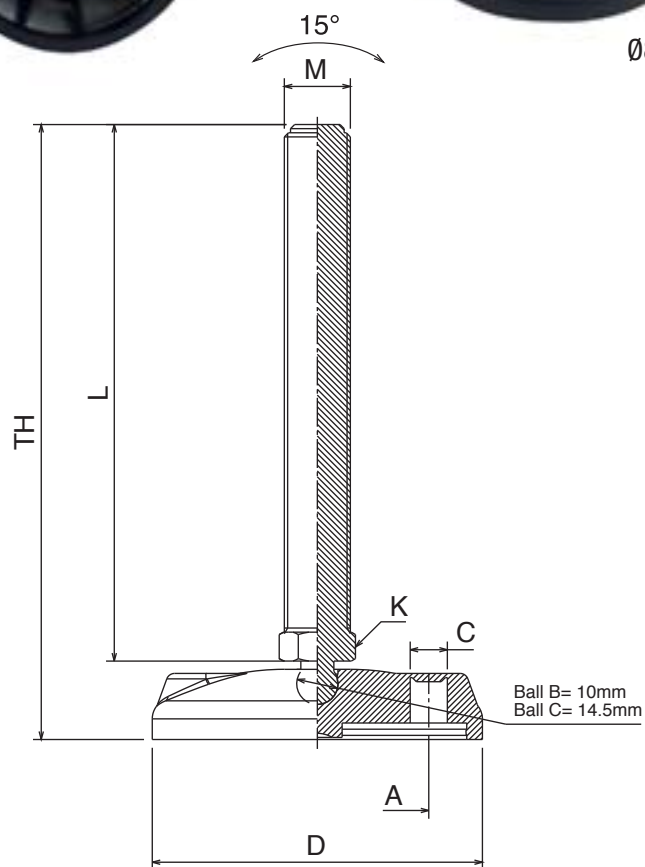
Part	Spindle material		D	Spindle	K	TH	L	Ball	Type	N
	SS	Fe.Zn.								
907	90701	90701Z	60	M12	9	80	60	B	X	12.000
907	90702	90702Z	60	M12	9	105	85	B	X	12.000
907	90703	90703Z	60	M12	9	155	135	B	X	12.000
908	90801	90801Z	60	M16	13	105	85	B	X	15.000
908	90802	90802Z	60	M16	13	155	135	B	X	15.000
908	90803	90803Z	60	M16	13	205	185	B	X	15.000
908	90801H	90801ZH	60	M16	16	105	85	B	Y	15.000
908	90802H	90802ZH	60	M16	16	155	135	B	Y	15.000
908	90803H	90803ZH	60	M16	16	205	185	B	Y	15.000
909	90901	90901Z	60	M20	16	105	85	C	X	16.000
909	90902	90902Z	60	M20	16	155	135	C	X	16.000
909	90903	90903Z	60	M20	16	205	185	C	X	16.000
909	90901H	90901ZH	60	M20	20	105	85	C	Y	16.000
909	90902H	90902ZH	60	M20	20	155	135	C	Y	16.000
909	90903H	90903ZH	60	M20	20	205	185	C	Y	16.000

SS: Acciaio inox / Stainless steel / Edelstahl

FeZn: Ferro zincato / Zinc plated steel / Stahl Verzinkt



Materiale:	Material:	Materialien:
Basi: Poliammide	Base plate: Polyamide	Fussplatte: Polyamid
Stelo: Acciaio inox o Ferro zincato	Spindle: Stainless steel or Zinc plated steel	Spindel: Edelstahl oder Stahl Verzinkt



ACCESSORI / ACCESSORIES / ZUBEHÖR

Gomma anti-scivolo / Anti-slip pad / Gummiplatte



Part	Article-Nr.	For base
996	99604	Ø80
996	99605	Ø100

Dadi acciaio inox / Stainless steel nuts / Mutter Edelstahl



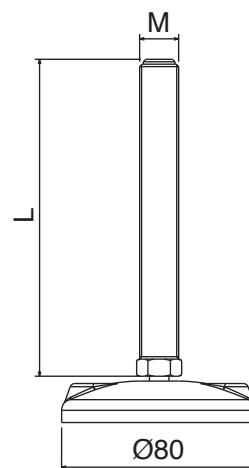
Part	Article-Nr.	Spindle
998	99802	M12
998	99804	M16
998	99805	M20

Piede diam. 80 mm / Leveller diam. 80 mm / Gelenkfuss Diam. 80 mm

Part	Spindle material		D	Spindle	K	TH	L	Ball	Type	N
	SS	Fe.Zn.								
953	95301	95301Z	80	M12	9	80	60	B	X	12.000
953	95302	95302Z	80	M12	9	105	85	B	X	12.000
953	95303	95303Z	80	M12	9	155	135	B	X	12.000
954	95401	95401Z	80	M16	13	105	85	B	X	15.000
954	95402	95402Z	80	M16	13	155	135	B	X	15.000
954	95403	95403Z	80	M16	13	205	185	B	X	15.000
954	95401H	95401ZH	80	M16	16	105	85	B	Y	15.000
954	95402H	95402ZH	80	M16	16	155	135	B	Y	15.000
954	95403H	95403ZH	80	M16	16	205	185	B	Y	15.000
955	95501	95501Z	80	M20	16	105	85	C	X	18.000
955	95502	95502Z	80	M20	16	155	135	C	X	18.000
955	95503	95503Z	80	M20	16	205	185	C	X	18.000
955	95501H	95501ZH	80	M20	20	105	85	C	Y	18.000
955	95502H	95502ZH	80	M20	20	155	135	C	Y	18.000
955	95503H	95503ZH	80	M20	20	205	185	C	Y	18.000

SS: Acciaio inox / Stainless steel / Edelstahl

FeZn: Ferro zincato / Zinc plated steel / Stahl Verzinkt

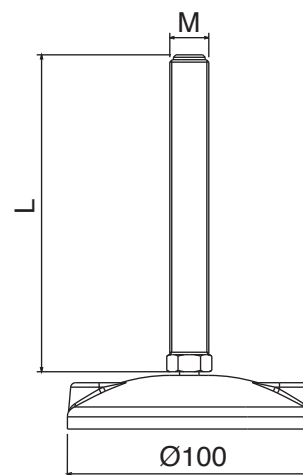


Piede diam. 100 mm / Leveller diam. 100 mm / Gelenkfuss Diam. 100 mm

Part	Spindle material		D	Spindle	K	TH	L	Ball	Type	N
	SS	Fe.Zn.								
956	95601	95601Z	100	M16	13	108	85	B	X	15.000
956	95602	95602Z	100	M16	13	158	135	B	X	15.000
956	95603	95603Z	100	M16	13	208	185	B	X	15.000
956	95601H	95601ZH	100	M16	16	108	85	B	Y	15.000
956	95602H	95602ZH	100	M16	16	158	135	B	Y	15.000
956	95603H	95603ZH	100	M16	16	208	185	B	Y	15.000
957	95701	95701Z	100	M20	16	108	85	C	X	18.000
957	95702	95702Z	100	M20	16	158	135	C	X	18.000
957	95703	95703Z	100	M20	16	208	185	C	X	18.000
957	95701H	95701ZH	100	M20	20	108	85	C	Y	18.000
957	95702H	95702ZH	100	M20	20	158	135	C	Y	18.000
957	95703H	95703ZH	100	M20	20	208	185	C	Y	18.000

SS: Acciaio inox / Stainless steel / Edelstahl

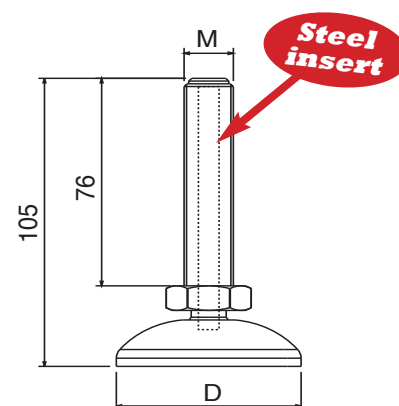
FeZn: Ferro zincato / Zinc plated steel / Stahl Verzinkt



Piede diam. 60-80-100 mm / Leveller diam. 60-80-100 mm / Gelenkfuss Diam. 60-80-100 mm

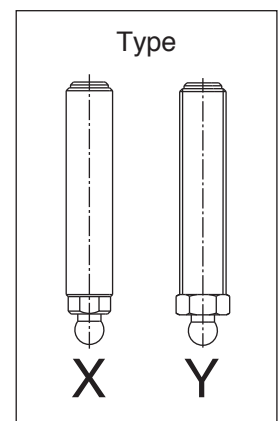
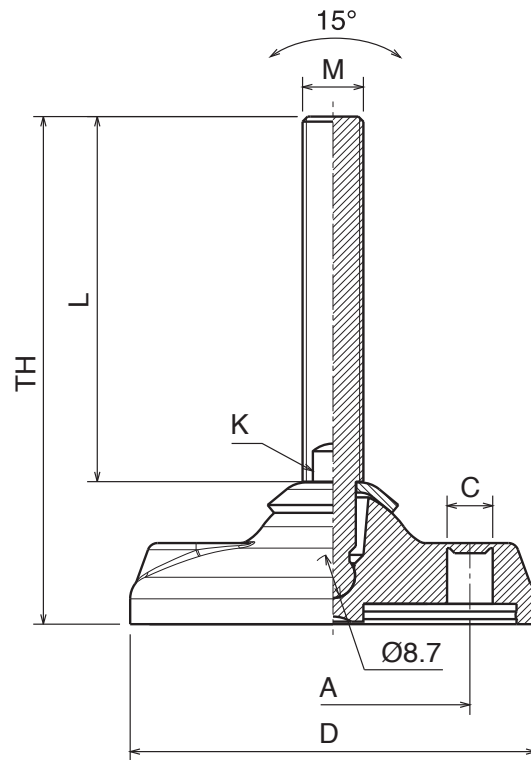
Part	Art.-Nr.	D	Spindle	K	Type	N
908	90810PH	60	M16	24	C	13.000
954	95410PH	80	M16	24	C	13.000
957	95710PH	100	M16	24	C	13.000

Base and spindle: Poliammide / Polyamide / Polyamid



910-918 STANDARD *Piede snodato Adjustable leveller Gelenkfuss*

Materiale:	Material:	Materialien:
Basi: Poliammide o Ferro zincato	Base plate: Polyamide or Zinc plated steel	Fussplatte: Polyamid oder Stahl Verzinkt



ACCESSORI / ACCESSORIES / ZUBEHÖR

Gomma anti-scivolo / Anti-slip pad / Gummiplatte



Part	Article-Nr.	For base
996	99604	Ø80
996	99605	Ø100
996	99606	Ø120

Dadi acciaio inox / Stainless steel nuts / Mutter Edelstahl



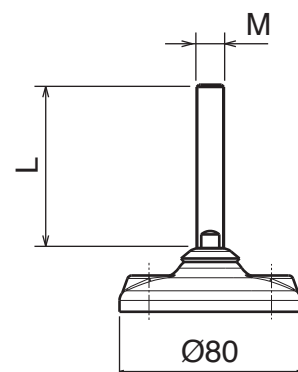
Part	Article-Nr.	Spindle
998	99802	M12
998	99804	M16
998	99805	M20
998	99806	M24

Piede diam. 80 mm / Leveller diam. 80 mm / Gelenkfuss Diam. 80 mm

Spindle material											
Part	SS	Fe.Zn.	D	Spindle	K	TH	L	A	C	Type	N
910	91001	91001Z	80	M12	9	100	72	54	9	X	12.000
910	91002	91002Z	80	M12	9	150	122	54	9	X	12.000
910	91003	91003Z	80	M12	9	200	172	54	9	X	12.000
911	91101	91101Z	80	M16	13	95	67	54	9	X	15.000
911	91102	91102Z	80	M16	13	145	117	54	9	X	15.000
911	91103	91103Z	80	M16	13	195	167	54	9	X	15.000
911	91101H	91101ZH	80	M16	16	95	67	54	9	Y	15.000
911	91102H	91102ZH	80	M16	16	145	117	54	9	Y	15.000
911	91103H	91103ZH	80	M16	16	195	167	54	9	Y	15.000
912	91201	91201Z	80	M20	16	120	92	54	9	X	16.000
912	91202	91202Z	80	M20	16	170	142	54	9	X	16.000
912	91203	91203Z	80	M20	16	220	192	54	9	X	16.000
912	91201H	91201ZH	80	M20	20	120	92	54	9	Y	16.000
912	91202H	91202ZH	80	M20	20	170	142	54	9	Y	16.000
912	91203H	91203ZH	80	M20	20	220	192	54	9	Y	16.000

SS: Acciaio inox / Stainless steel / Edelstahl

FeZn: Ferro zincato / Zinc plated steel / Stahl Verzinkt

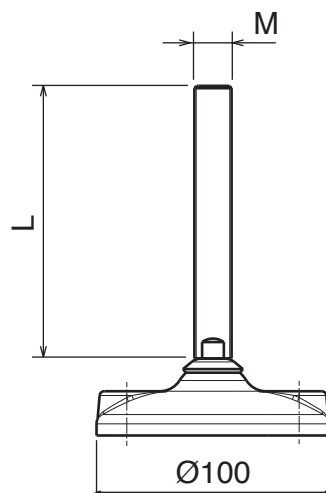


Piede diam. 100 mm / Leveller diam. 100 mm / Gelenkfuss Diam. 100 mm

Spindle material											
Part	SS	Fe.Zn.	D	Spindle	K	TH	L	A	C	Type	N
913	91301	91301Z	100	M16	13	100	67	74	13	X	15.000
913	91302	91302Z	100	M16	13	150	117	74	13	X	15.000
913	91303	91303Z	100	M16	13	200	167	74	13	X	15.000
913	91301H	91301ZH	100	M16	16	100	67	74	13	Y	15.000
913	91302H	91302ZH	100	M16	16	150	117	74	13	Y	15.000
913	91303H	91303ZH	100	M16	16	200	167	74	13	Y	15.000
914	91401	91401Z	100	M20	16	125	92	74	13	X	16.000
914	91402	91402Z	100	M20	16	175	142	74	13	X	16.000
914	91403	91403Z	100	M20	16	225	192	74	13	X	16.000
914	91401H	91401ZH	100	M20	20	125	92	74	13	Y	16.000
914	91402H	91402ZH	100	M20	20	175	142	74	13	Y	16.000
914	91403H	91403ZH	100	M20	20	225	192	74	13	Y	16.000
915	91501	91501Z	100	M24	19	125	92	74	13	X	18.000
915	91502	91502Z	100	M24	19	175	142	74	13	X	18.000
915	91503	91503Z	100	M24	19	225	192	74	13	X	18.000

SS: Acciaio inox / Stainless steel / Edelstahl

FeZn: Ferro zincato / Zinc plated steel / Stahl Verzinkt

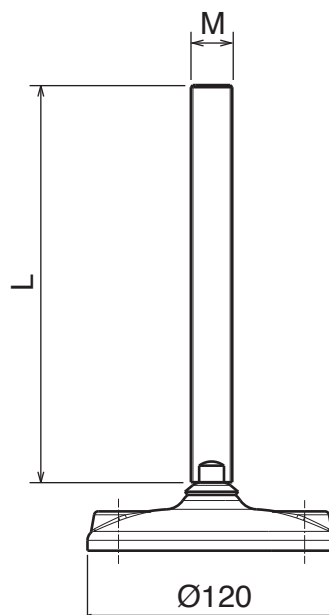


Piede diam. 120 mm / Leveller diam. 120 mm / Gelenkfuss Diam. 120 mm

Spindle material											
Part	SS	Fe.Zn.	D	Spindle	K	TH	L	A	C	Type	N
916	91601	91601Z	120	M16	13	100	67	90	13	X	15.000
916	91602	91602Z	120	M16	13	150	117	90	13	X	15.000
916	91603	91603Z	120	M16	13	200	167	90	13	X	15.000
916	91601H	91601ZH	120	M16	16	100	67	90	13	Y	15.000
916	91602H	91602ZH	120	M16	16	150	117	90	13	Y	15.000
916	91603H	91603ZH	120	M16	16	200	167	90	13	Y	15.000
917	91701	91701Z	120	M20	16	125	92	90	13	X	16.000
917	91702	91702Z	120	M20	16	175	142	90	13	X	16.000
917	91703	91703Z	120	M20	16	225	192	90	13	X	16.000
917	91701H	91701ZH	120	M20	20	125	92	90	13	Y	16.000
917	91702H	91702ZH	120	M20	20	175	142	90	13	Y	16.000
917	91703H	91703ZH	120	M20	20	225	192	90	13	Y	16.000
918	91801	91801Z	120	M24	19	125	92	90	13	X	18.000
918	91802	91802Z	120	M24	19	175	142	90	13	X	18.000
918	91803	91803Z	120	M24	19	225	192	90	13	X	18.000

SS: Acciaio inox / Stainless steel / Edelstahl

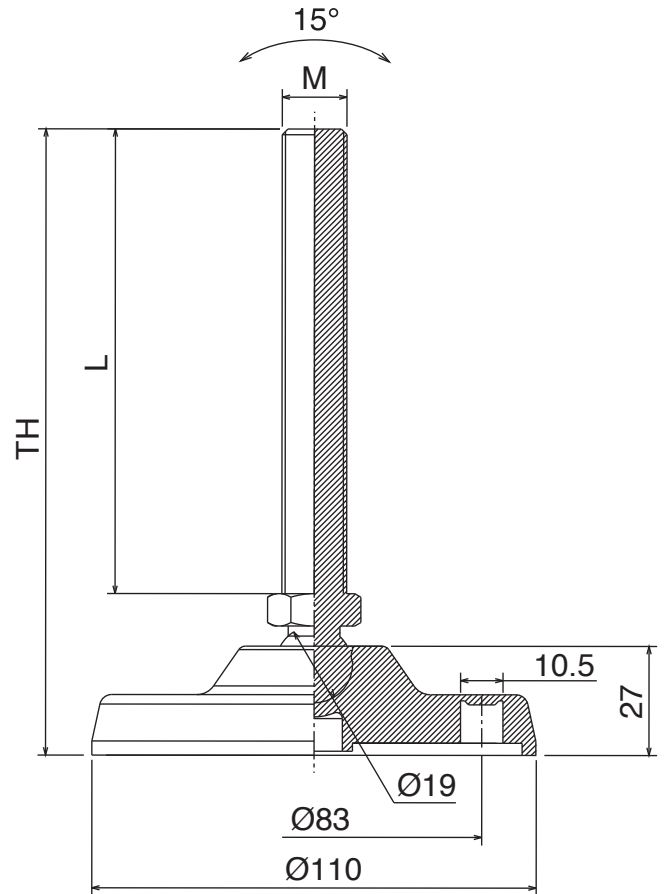
FeZn: Ferro zincato / Zinc plated steel / Stahl Verzinkt



943-947 Ø110

Piede snodato
Adjustable leveller
Gelenkfuss

Materiale:	Material:	Materialien:
Basi: Poliammide	Base plate: Polyamide	Fussplatte: Polyamid
Stelo: Acciaio inox o Ferro zincato	Spindle: Stainless steel or Zinc plated steel	Spindel: Edelstahl oder Stahl Verzinkt



ACCESSORI / ACCESSORIES / ZUBEHÖR

Gomma anti-scivolo / Anti-slip pad / Gummiplatte



Part	Article-Nr.	For base
996	99607	Ø110

Dadi acciaio inox / Stainless steel nuts / Mutter Edelstahl



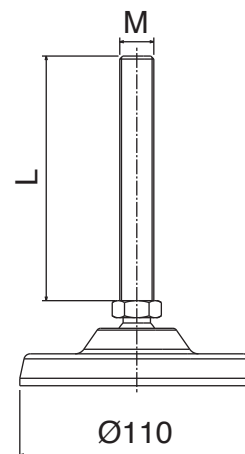
Part	Article-Nr.	Spindle
998	99804	M16
998	99805	M20
998	99806	M24

Piede diam. 110 mm / Leveller diam. 110 mm / Gelenkfuss Diam. 110 mm

WITHOUT ANTISLIP RUBBER



Part	SS	Fe.Zn.	Spindle	K	TH	L	N
943	94301H	94301ZH	M16	20	155	115	15.000
943	94302H	94302ZH	M16	20	185	145	15.000
943	94303H	94303ZH	M16	20	235	195	15.000
944	94401H	94401ZH	M20	20	155	115	15.000
944	94402H	94402ZH	M20	20	185	145	15.000
944	94403H	94403ZH	M20	20	235	195	15.000
945	94501H	94501ZH	M24	24	155	115	18.000
945	94502H	94502ZH	M24	24	185	145	18.000
945	94503H	94503ZH	M24	24	235	195	18.000



WITH ANTISLIP RUBBER



Part	SS	Fe.Zn.	Spindle	K	TH	L	N
943	94351H	94351ZH	M16	20	155	115	15.000
943	94352H	94352ZH	M16	20	185	145	15.000
943	94353H	94353ZH	M16	20	235	195	15.000
944	94451H	94451ZH	M20	20	155	115	15.000
944	94452H	94452ZH	M20	20	185	145	15.000
944	94453H	94453ZH	M20	20	235	195	15.000
945	94551H	94551ZH	M24	24	155	115	18.000
945	94552H	94552ZH	M24	24	185	145	18.000
945	94553H	94553ZH	M24	24	235	195	18.000

SS: Acciaio inox / Stainless steel / Edelstahl

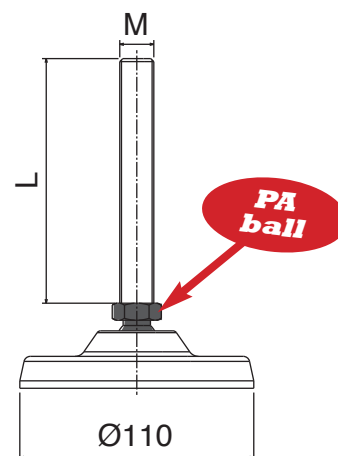
FeZn: Ferro zincato / Zinc plated steel / Stahl Verzinkt

Piede diam. 110 mm / Leveller diam. 110 mm / Gelenkfuss Diam. 110 mm

WITHOUT ANTISLIP RUBBER



Part	SS	Fe.Zn.	Spindle	K	TH	L	N
946	94601H	94601ZH	M16	20	155	115	12.000
946	94602H	94602ZH	M16	20	185	145	12.000
946	94603H	94603ZH	M16	20	235	195	12.000
947	94701H	94701ZH	M20	20	155	115	12.000
947	94702H	94702ZH	M20	20	185	145	12.000
947	94703H	94703ZH	M20	20	235	195	12.000



WITH ANTISLIP RUBBER



Part	SS	Fe.Zn.	Spindle	K	TH	L	N
946	94651H	94651ZH	M16	20	155	115	12.000
946	94652H	94652ZH	M16	20	185	145	12.000
946	94653H	94653ZH	M16	20	235	195	12.000
947	94751H	94751ZH	M20	20	155	115	12.000
947	94752H	94752ZH	M20	20	185	145	12.000
947	94753H	94753ZH	M20	20	235	195	12.000

SS: Acciaio inox / Stainless steel with PA sphere / Edelstahl

FeZn: Ferro zincato / Zinc plated steel with PA sphere / Stahl Verzinkt

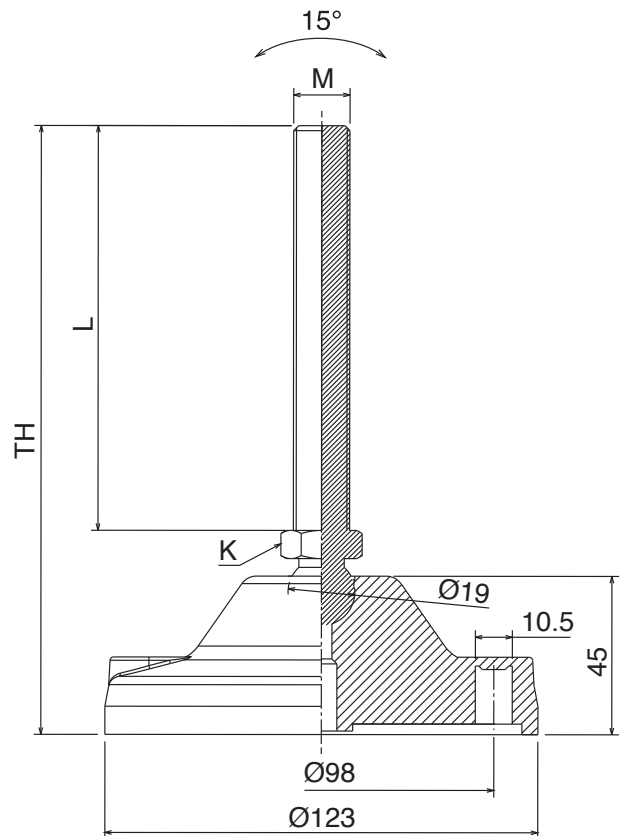
948-952 Ø123

Piede snodato
Adjustable leveller
Gelenkfuss

Materiale:	Material:	Materialien:
Basi: Poliammide	Base plate: Polyamide	Fussplatte: Polyamid
Stelo: Acciaio inox o Ferro zincato	Spindle: Stainless steel or Zinc plated steel	Spindel: Edelstahl oder Stahl Verzinkt



Ø123



ACCESSORI / ACCESSORIES / ZUBEHÖR

Gomma anti-scivolo / Anti-slip pad / Gummiplatte



Part	Article-Nr.	For base
996	99608	Ø123

Dadi acciaio inox / Stainless steel nuts / Mutter Edelstahl

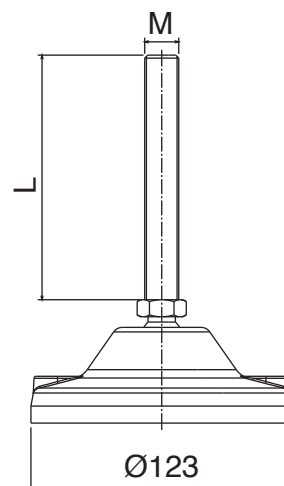


Part	Article-Nr.	Spindle
998	99804	M16
998	99805	M20
998	99806	M24

Piede diam. 123 mm / Leveller diam. 123 mm / Gelenkfuss Diam. 123 mm

WITHOUT ANTISLIP RUBBER

Part	SS	Fe.Zn.	Spindle	K	TH	L	N
948	94801H	94801ZH	M16	20	175	115	25.000
948	94802H	94802ZH	M16	20	205	145	25.000
948	94803H	94803ZH	M16	20	255	195	25.000
949	94901H	94901ZH	M20	20	175	115	25.000
949	94902H	94902ZH	M20	20	205	145	25.000
949	94903H	94903ZH	M20	20	255	195	25.000
950	95001H	95001ZH	M24	24	175	115	25.000
950	95002H	95002ZH	M24	24	205	145	25.000
950	95003H	95003ZH	M24	24	255	195	25.000



WITH ANTISLIP RUBBER

Part	SS	Fe.Zn.	Spindle	K	TH	L	N
948	94851H	94851ZH	M16	20	175	115	25.000
948	94852H	94852ZH	M16	20	205	145	25.000
948	94853H	94853ZH	M16	20	255	195	25.000
949	94951H	94951ZH	M20	20	175	115	25.000
949	94952H	94952ZH	M20	20	205	145	25.000
949	94953H	94953ZH	M20	20	255	195	25.000
950	95051H	95051ZH	M24	24	175	115	25.000
950	95052H	95052ZH	M24	24	205	145	25.000
950	95053H	95053ZH	M24	24	255	195	25.000

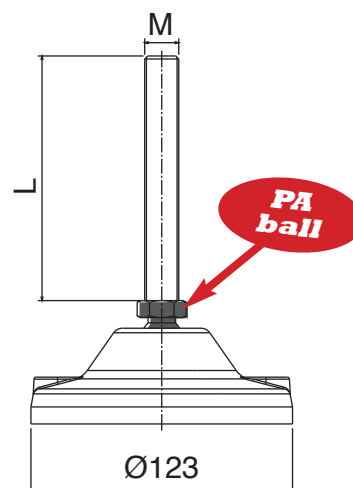
SS: Acciaio inox / Stainless steel / Edelstahl

FeZn: Ferro zincato / Zinc plated steel / Stahl Verzinkt

Piede diam. 123 mm / Leveller diam. 123 mm / Gelenkfuss Diam. 123 mm

WITHOUT ANTISLIP RUBBER

Part	SS	Fe.Zn.	Spindle	K	TH	L	N
951	95101H	95101ZH	M16	20	175	115	20.000
951	95102H	95102ZH	M16	20	205	145	20.000
951	95103H	95103ZH	M16	20	255	195	20.000
952	95201H	95201ZH	M20	20	175	115	20.000
952	95202H	95202ZH	M20	20	205	145	20.000
952	95203H	95203ZH	M20	20	255	195	20.000



WITH ANTISLIP RUBBER

Part	SS	Fe.Zn.	Spindle	K	TH	L	N
951	95151H	95151ZH	M16	20	175	115	20.000
951	95152H	95152ZH	M16	20	205	145	20.000
951	95153H	95153ZH	M16	20	255	195	20.000
952	95251H	95251ZH	M20	20	175	115	20.000
952	95252H	95252ZH	M20	20	205	145	20.000
952	95253H	95253ZH	M20	20	255	195	20.000

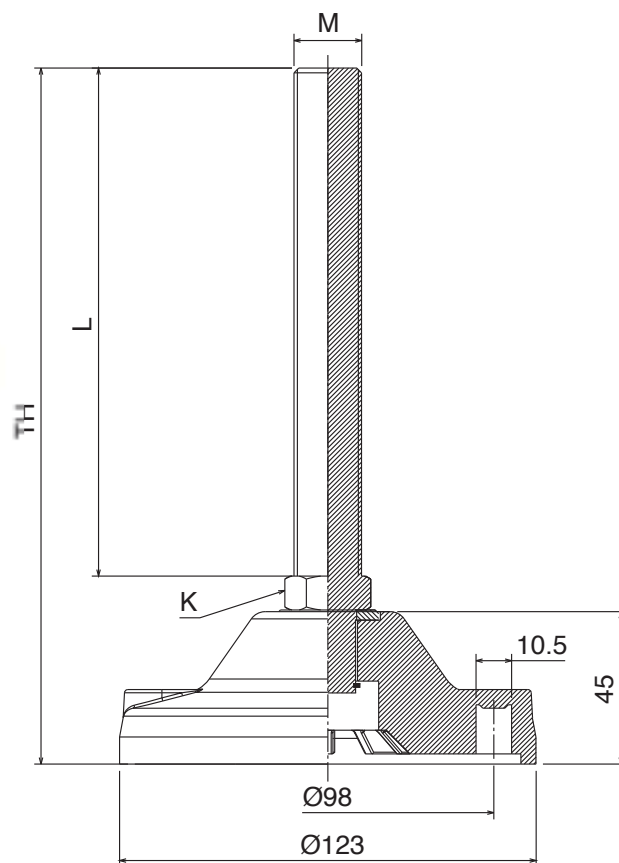
SS: Acciaio inox / Stainless steel with PA sphere / Edelstahl

FeZn: Ferro zincato / Zinc plated steel with PA sphere / Stahl Verzinkt

Materiale:	Material:	Materialien:
Basi: Poliammide	Base plate: Polyamide	Fussplatte: Polyamid
Stelo: Acciaio inox o Ferro zincato	Spindle: Stainless steel or Zinc plated steel	Spindel: Edelstahl oder Stahl Verzinkt



Ø123



ACCESSORI / ACCESSORIES / ZUBEHÖR

Gomma anti-scivolo / Anti-slip pad / Gummiplatte



Part	Article-Nr.	For base
996	99608	Ø123

Dadi acciaio inox / Stainless steel nuts / Mutter Edelstahl



Part	Article-Nr.	Spindle
998	99804	M16
998	99805	M20
998	99806	M24

Piede diam. 123 mm / Leveller diam. 123 mm / Gelenkfuss Diam. 123 mm

WITHOUT ANTISLIP RUBBER



Part	SS	Fe.Zn.	Spindle	K	TH	L	N
958	95801H	95801ZH	M20	20	150	98	30.000
958	95802H	95802ZH	M20	20	200	148	30.000
958	95803H	95803ZH	M20	20	250	198	30.000
959	95901H	95901ZH	M24	24	150	98	30.000
959	95902H	95902ZH	M24	24	200	148	30.000
959	95903H	95903ZH	M24	24	250	198	30.000

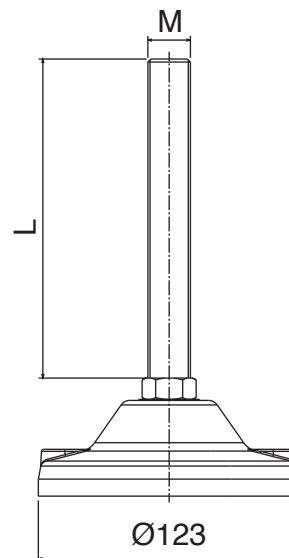
WITH ANTISLIP RUBBER



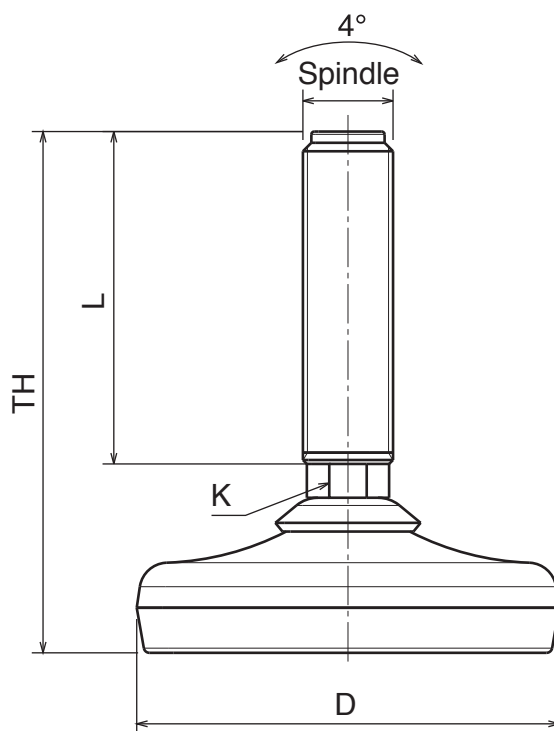
Part	SS	Fe.Zn.	Spindle	K	TH	L	N
958	95851H	95851ZH	M20	20	150	98	30.000
958	95852H	95852ZH	M20	20	200	148	30.000
958	95853H	95853ZH	M20	20	250	198	30.000
959	95951H	95951ZH	M24	24	150	98	30.000
959	95952H	95952ZH	M24	24	200	148	30.000
959	95953H	95953ZH	M24	24	250	198	30.000

SS: Acciaio inox / Stainless steel / Edelstahl

FeZn: Ferro zincato / Zinc plated steel / Stahl Verzinkt



Materiale:	Material:	Materialien:
Basi, stelo e rondella: Acciaio inox	Base plate, spindle and washer: Stainless steel	Fussplatte, Spindel und Scheibe: Edelstahl



ACCESSORI / ACCESSORIES / ZUBEHÖR

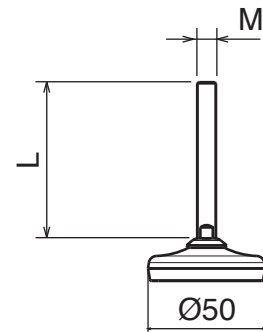
Dadi acciaio inox / Stainless steel nuts / Mutter Edelstahl



Part	Article-Nr.	Spindle
998	99802	M12
998	99804	M16
998	99805	M20
998	99806	M24
998	99807	M30

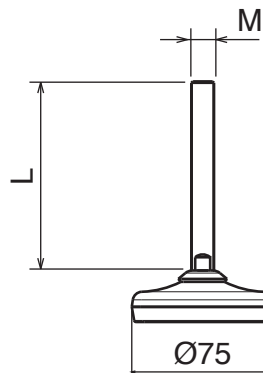
Piede diam. 50 mm / Leveller diam. 50 mm / Stellfuss Diam. 50 mm

Part	Article-Nr.	D	Spindle	K	TH	L	N
919	91901	50	M12	9	75	50	3.000
919	91902	50	M12	9	100	75	3.000
919	91903	50	M12	9	150	125	3.000
920	92001	50	M16	13	90	65	3.000
920	92002	50	M16	13	140	115	3.000
920	92003	50	M16	13	190	165	3.000
921	92101	50	M20	16	90	65	3.000
921	92102	50	M20	16	115	90	3.000
921	92103	50	M20	16	165	140	3.000



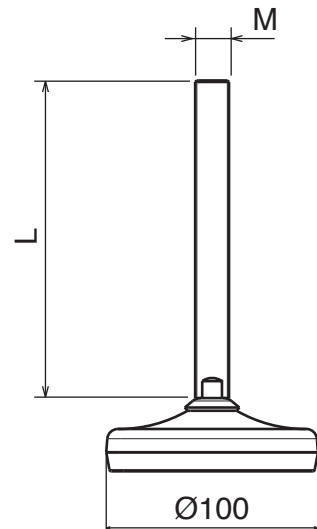
Piede diam. 75 mm / Leveller diam. 75 mm / Stellfuss Diam. 75 mm

Part	Article-Nr.	D	Spindle	K	TH	L	N
922	92201	75	M12	9	80	50	8.000
922	92202	75	M12	9	105	75	8.000
922	92203	75	M12	9	155	125	8.000
923	92301	75	M16	13	95	65	8.000
923	92302	75	M16	13	145	115	8.000
923	92303	75	M16	13	195	165	8.000
924	92401	75	M20	16	95	65	8.000
924	92402	75	M20	16	120	90	8.000
924	92403	75	M20	16	170	140	8.000



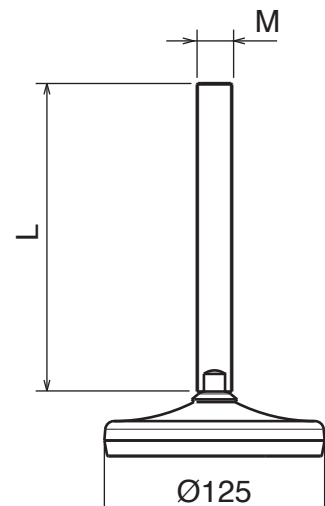
Piede diam. 100 mm / Leveller diam. 100 mm / Stellfuss Diam. 100 mm

Part	Article-Nr.	D	Spindle	K	TH	L	N
925	92501	100	M16	13	100	65	20.000
925	92502	100	M16	13	150	115	20.000
925	92503	100	M16	13	200	165	20.000
926	92601	100	M20	16	125	90	20.000
926	92602	100	M20	16	175	140	20.000
926	92603	100	M20	16	225	190	20.000
927	92701	100	M24	19	125	90	20.000
927	92702	100	M24	19	175	140	20.000
927	92703	100	M24	19	225	190	20.000



Piede diam. 125 mm / Leveller diam. 125 mm / Stellfuss Diam. 125 mm

Part	Article-Nr.	D	Spindle	K	TH	L	N
928	92801	125	M20	16	130	90	30.000
928	92802	125	M20	16	180	140	30.000
928	92803	125	M20	16	230	190	30.000
929	92901	125	M24	19	130	90	30.000
929	92902	125	M24	19	180	140	30.000
929	92903	125	M24	19	230	190	30.000
930	93001	125	M30	24	155	115	30.000
930	93002	125	M30	24	205	165	30.000
930	93003	125	M30	24	255	215	30.000

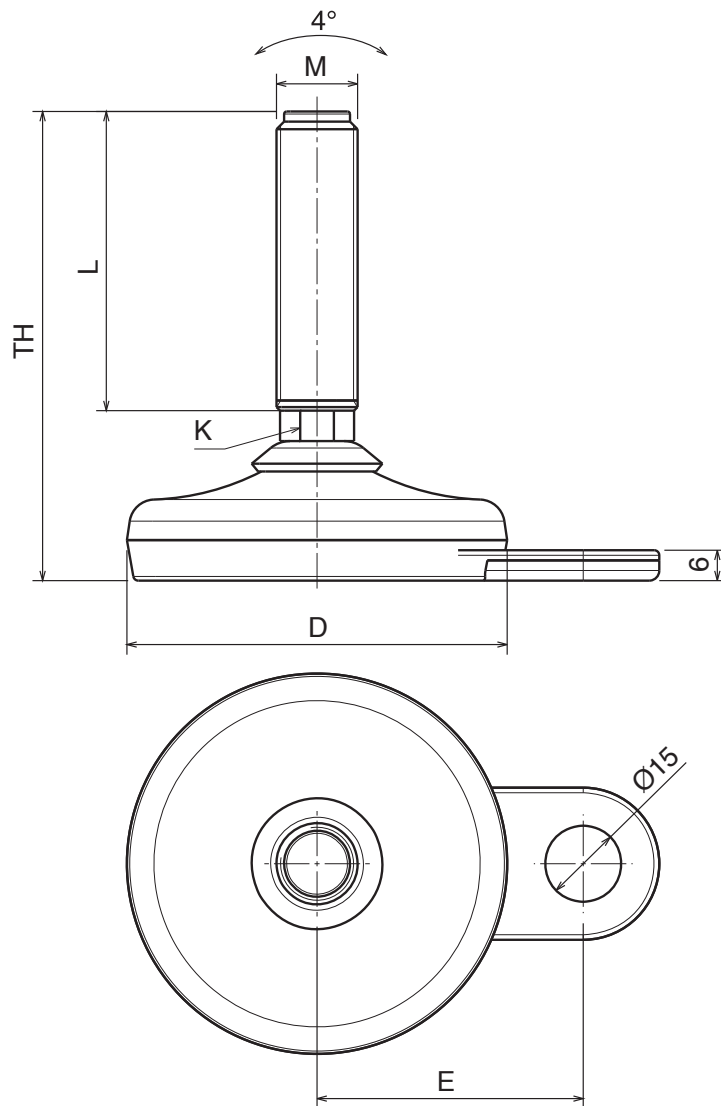


934-939

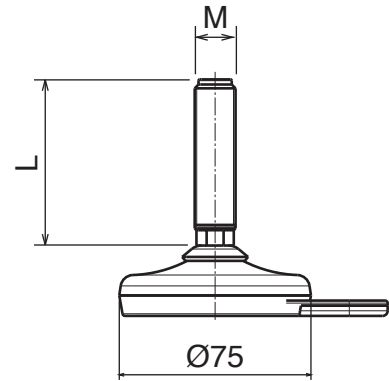
EASY CLEAN

Piede con Foro Fissaggio
Leveller with Fixing Hole
Stellfuss mit Befestigungsbohrung

Materiale:	Material:	Materialien:
Basi, stelo e rondella: Acciaio inox	Base plate, spindle and washer: Stainless steel	Fussplatte, Spindel und Scheibe: Edelstahl

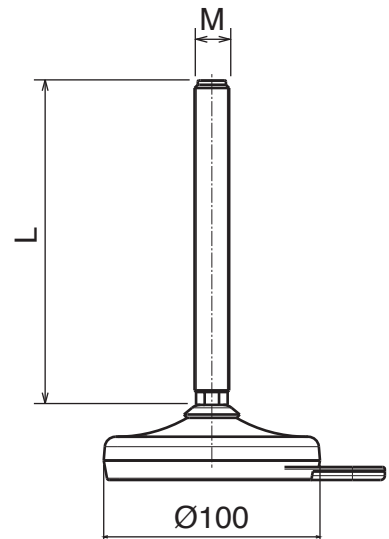


Piede diam. 75 mm con fori fissaggio / Leveller diam. 75 mm with fixing holes
 Stellfuss diam. 75 mm mit Befestigungsbohrung



Part	Article-Nr.	D	E	Spindle	K	TH	L	N
934	93401	75	52,5	M12	9	80	50	8.000
934	93402	75	52,5	M12	9	105	75	8.000
934	93403	75	52,5	M12	9	155	125	8.000
935	93501	75	52,5	M16	13	95	65	8.000
935	93502	75	52,5	M16	13	145	115	8.000
935	93503	75	52,5	M16	13	195	165	8.000
936	93601	75	52,5	M20	16	95	65	8.000
936	93602	75	52,5	M20	16	120	90	8.000
936	93603	75	52,5	M20	16	170	140	8.000

Piede diam. 100 mm con fori fissaggio / Leveller diam. 100 mm with fixing holes
 Stellfuss diam. 100 mm mit Befestigungsbohrung



Part	Article-Nr.	D	E	Spindle	K	TH	L	N
937	93701	100	65	M16	13	100	65	20.000
937	93702	100	65	M16	13	150	115	20.000
937	93703	100	65	M16	13	200	165	20.000
938	93801	100	65	M20	16	125	90	20.000
938	93802	100	65	M20	16	175	140	20.000
938	93803	100	65	M20	16	225	190	20.000
939	93901	100	65	M24	19	125	90	20.000
939	93902	100	65	M24	19	175	140	20.000
939	93903	100	65	M24	19	225	190	20.000

ACCESSORI / ACCESSORIES / ZUBEHÖR

Dadi acciaio inox / Stainless steel nuts / Mutter Edelstahl

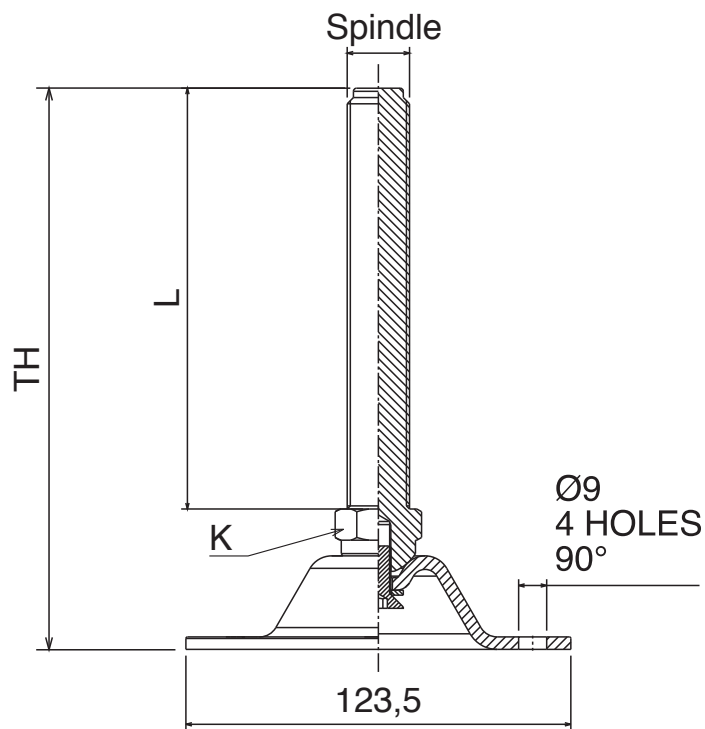


Part	Article-Nr.	Spindle
998	99802	M12
998	99804	M16
998	99805	M20
998	99806	M24

Materiale:	Material:	Materialien:
Acciaio inox o Ferro zincato	Stainless steel or Zinc plated steel	Edelstahl oder Stahl Verzinkt



Ø123



ACCESSORI / ACCESSORIES / ZUBEHÖR

Dadi acciaio inox / Stainless steel nuts / Mutter Edelstahl



Part	Article-Nr.	Spindle
998	99804	M16
998	99805	M20
998	99806	M24
998	99807	M30