

Movex
Blueline[®]
PRODUCTS SELECTION 

Made in ITALY PERFORMING everywhere.



Company Headquarters
Castelli calepio (BG) - ITALY

Movex® is a dynamic company driven by the ambition to design and manufacture conveying and material handling technology of the highest quality. We combine superior technical performance and design to provide customers with innovative solutions and impeccable service.

At our Italian headquarters, we design and manufacture standard and customized products and solutions to meet customers' needs in a dynamic and proactive environment.

Movex® follows every single customer from the project to installation, guaranteeing full support. With more than 30 technical sales representatives worldwide, we offer global support directly on-site, via video conference or by phone. Thanks to worldwide warehousing, we are able to provide short lead times and, in the event of the need for faster delivery times, our Priority Service, offering delivery in 1/2 working days, is always available.

As a leader in beverage and logistics conveyor components, Movex® stands as a robust entity in the industry with over 12 years of dynamic presence, ensuring quality products and impeccable service.



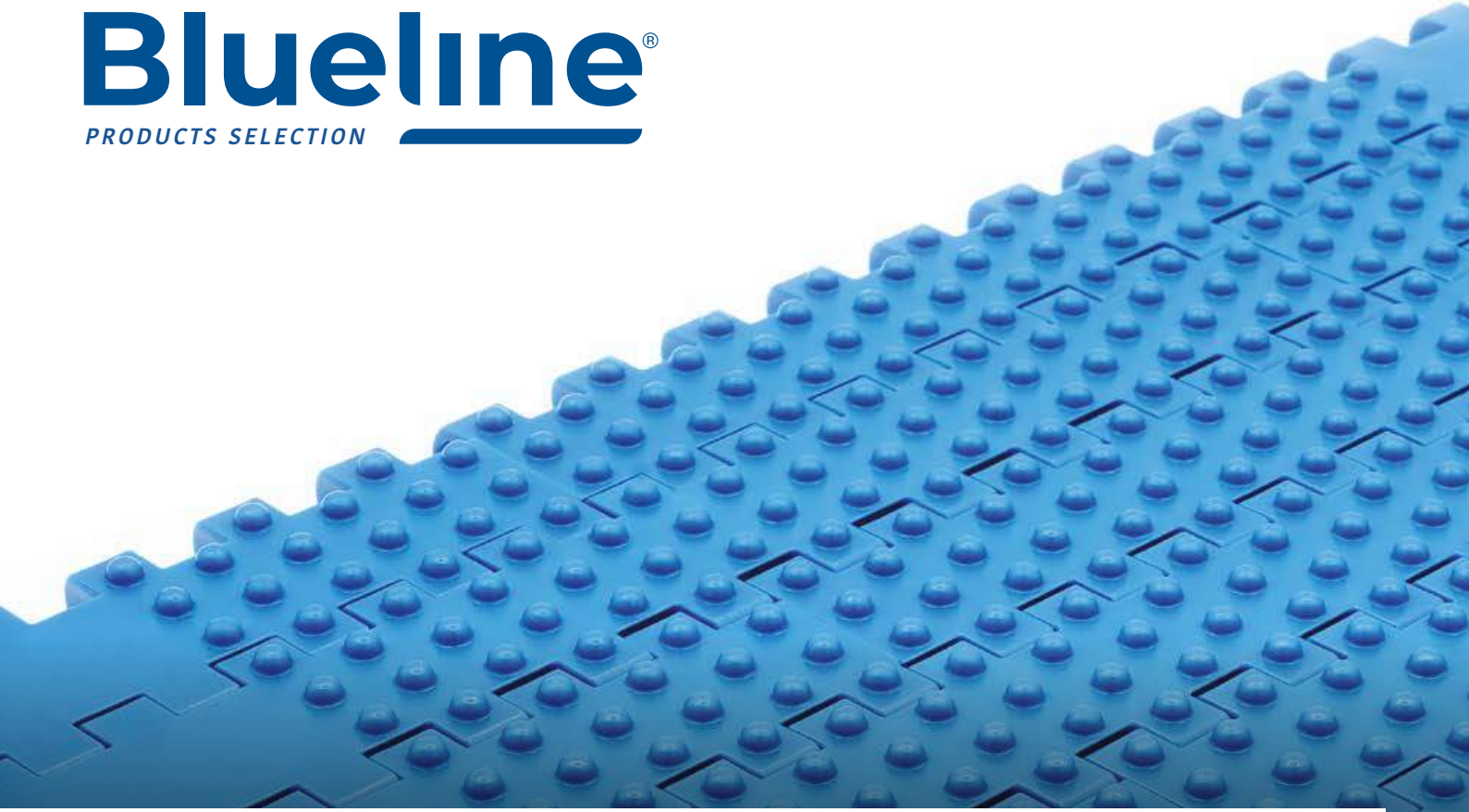
MISSION

To forge our values through the development of ideas and high standards, and to professionally support our partners with flexibility and efficiency.



VISION

To achieving strong market leadership, while constantly remaining up to date. To plan our future while remaining faithful to our history and values.


Movex
Blueline[®]
PRODUCTS SELECTION 

After years of successful activity in the beverage sector, **Movex**[®] has expanded its expertise by developing a selection of products aimed at intercepting and meeting the needs of new sectors, such as the food, meat, poultry, seafood, bakery, vegetable, material handling, and automotive industries. This new chapter in our company's history is called **Blueline**[®].

Our absolute priority then focused on fully understanding the needs and challenges of potential clients in the target sectors, through open and continuous dialogue with key market players.

This allowed us to outline a strategy focused on creating tailor-made solutions that effectively address market needs and provided valuable insights into customer expectations, emerging innovations, and industry best practices, enabling us to adapt our offerings proactively to keep pace with the rapidly evolving market.

Throughout this process, one fundamental principle has always remained steadfast: a commitment to the quality and reliability that have always characterized our products in the beverage sector.

With **Blueline**[®], we are committed to offering the same excellence and reliability that our customers have come to know and expect from us.

We are determined to ensure that every product we bring to market carries our distinctive brand of quality and reliability, supported by an unwavering commitment to innovation and excellence.

Find out our complete range of solutions.

Website

Consult our website and discover all our products.

www.movexii.com

Product Catalog

Download the interactive PDF featuring all our products, from our website.

Available on all devices.

Contact us

Ask to your sales representative, and required the hard copy of our catalogs.

info@movexii.com



MOVEX, EXPERIENCE THE DIFFERENCE.



Priority service

Even faster and responsive,
when you need it.

Products in stock are available to ship within 24 Hours of the receipt of order.











>10.000 ARTICLES NUMBER
READY TO DELIVERY

Request a free quotation!

Priority service is optional,
available on request

Table of contents

Sommario / Inhaltsverzeichnis

	Modular belts	Pag 7
	Belt sprockets	Pag 39
	Modular solutions	Pag 47
	Extruded profiles	Pag 91
	Return components	Pag 177
	Conveyor components	Pag 187
	Conveyor support components	Pag 217
	Bearing supports	Pag 231
	Leveling feet	Pag 249
	Materials	Pag 269

This catalog contains only a limited selection of all the products available at Movex S.p.A.
For a complete overview, please visit our website or contact your sales representative.

Movex Blueline®

MODULAR BELTS SELECTION

Are you in the food, meat, poultry, seafood, bakery, vegetables, material handling, or automotive industry? Look no further! Movex® has developed an exceptional series of modular belts tailored precisely to your sector's specific needs.

7870 Series

Pitch 8 mm



590 Series

Pitch 19.05 mm



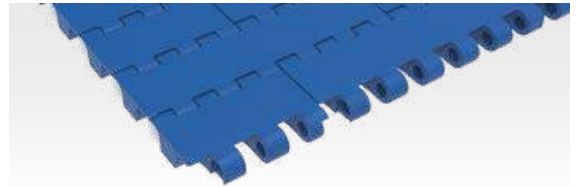
7510 Series

Pitch 25.4 mm (1 inch)



7520 Series

Pitch 25.4 mm (1 inch)



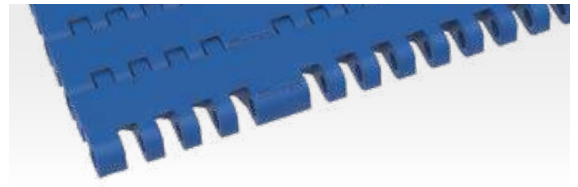
7010 Series

Pitch 50.8 mm (2 inch)



Zero contact Series

Curved belt



With a wide variety of surface types including flat top, flush grid, cone top, nub top, perforated top, non-slip, and diamond-top, our belts ensure optimal performance for your specific applications. But that's not all.

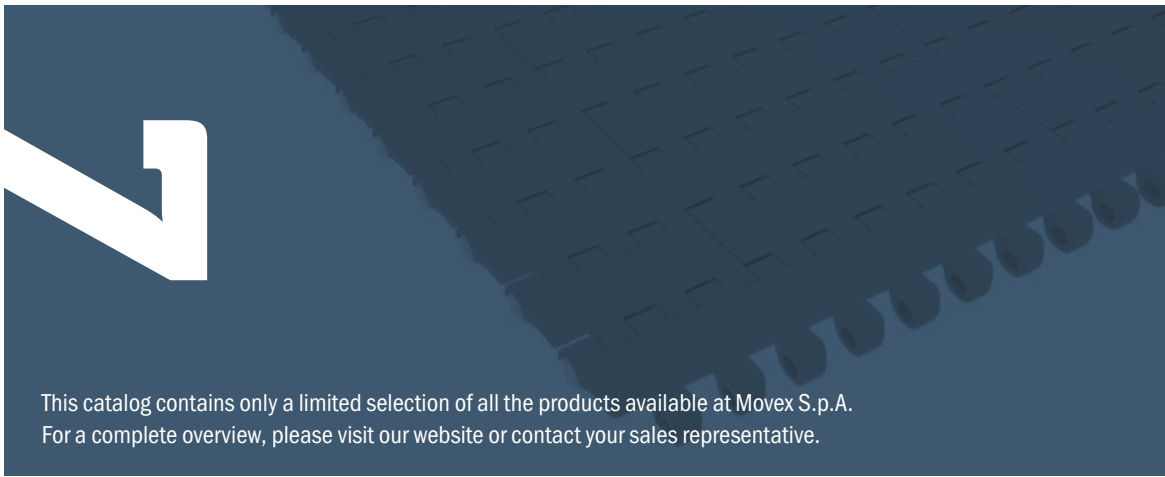
Our extensive range of accessories, from non-stick and flat flights to straight and curved tracks, along with sidewalls, guarantees seamless integration and enhanced functionality.

At Movex®, we guarantee complete interchangeability with major food belt producers, providing you with unparalleled versatility and flexibility. Plus, our specialty lies in crafting custom products tailored to your unique needs, with the added advantage of short lead times.

Ready to revolutionize your operations? Explore Movex's innovative solutions and experience the difference firsthand, in the following pages!

Energy saving | High efficiency | Market interchangeability

FDA APPROVAL

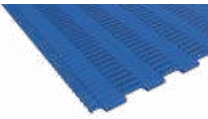


This catalog contains only a limited selection of all the products available at Movex S.p.A.
For a complete overview, please visit our website or contact your sales representative.

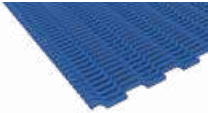
Modular belts

7870 Series

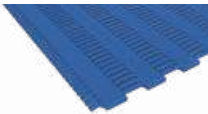
Pitch 8 mm



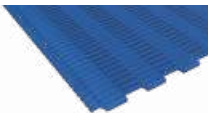
7870 FT
Page 9



7870 FG
Page 10



7870 DT
Page 11



7870 CT
Page 12



7870 NS
Page 13

590 Series

Pitch 19.05 mm



590 FT
Page 15



590 FG
Page 16



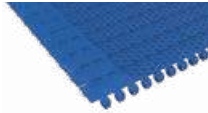
Accessories
Page 17

7510 Series

Pitch 25.4 mm (1 inch)



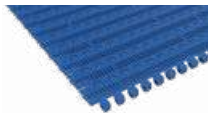
7510 FT
Page 19



7510 NT
Page 20



7510 DT
Page 21



7510 MT
Page 22



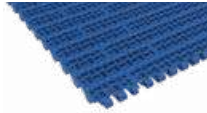
Accessories
Page 23

7520 Series

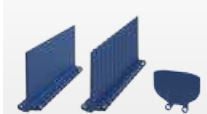
Pitch 25.4 mm (1 inch)



7520 FT
Page 25



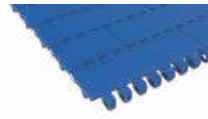
7520 FG
Page 26



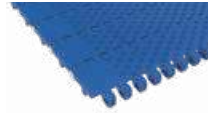
Accessories
Page 27

7010 Series

Pitch 50.8 mm (2 inch)



7010 FT
Page 29



7010 CT
Page 30



7010 NT
Page 31



7010 PT
Page 32



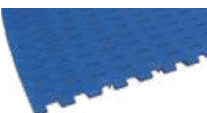
Accessories
Page 33

Zero contact Series

Fixed radius curved belt



ZERO CONTACT
Page 35/36



ZERO CONTACT PRO
Page 37/38

Material Info:



pg. 269>286

7870

Pitch 8 mm
H= 6 mm



- 7870 FT
- 7870 FG
- 7870 DT
- 7870 CT
- 7870 NS

7870 FT Flat Top Tappeto Modulare 7870 FT, H=6 M=3" Modular Belt Series 7870 FT, H=6 M=3" / Modulare Mattenkette 7870 FT, H=6 M=3"

Backflex radius min.: 7.5 mm | Pin diameter: 3 mm

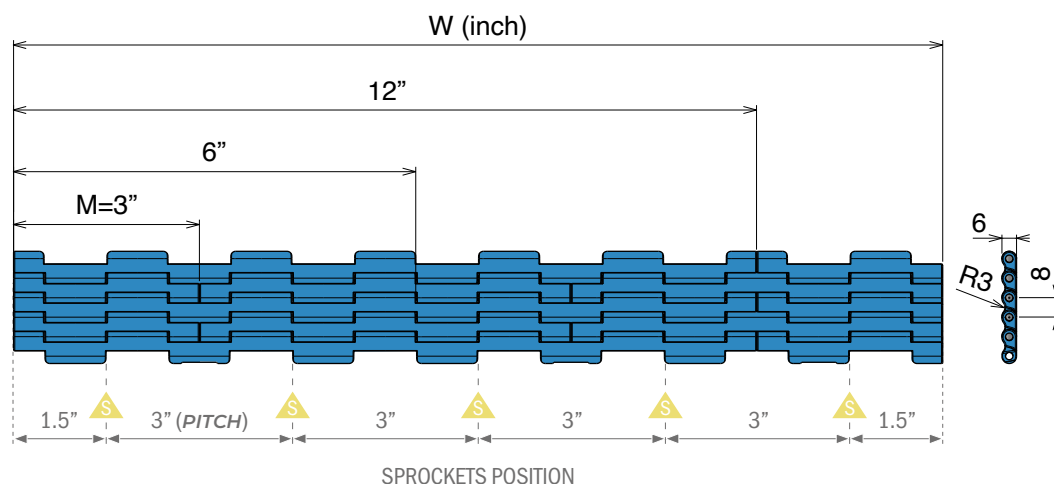
	Active transfer plate	
pg. 40	pg. 62>66	pg. 269>286

8 mm
PITCH



- Easier installation
- Quicker maintenance

Width* (inch)
0003
0006
0009
0012
0015
0018
0021
0024
0027
0030
0033
0036
0039
0042
0045
0048
0051
0054

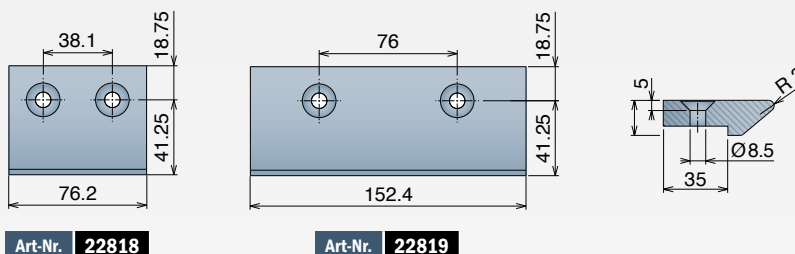


BELT MATERIAL	
POM - Acetal resin	
BELT COLORS	
RAL 5005	Cyan
White	LFA
PINS AVAILABLE	
PBT Pin	
Max w. load:	3000 N/m
Weight:	5.8 kg/m ²
Temp. range:	-40+80 °C

Nosebars

The best solution for a combination of short transfer and high performance:

Made from super-performance **BluLub®**, the smallest gaps are reached between the belts to assure a smooth and precise transfer.



*Belts wider than standard are available with 3 inch increments.

The nominal tensile strength and the nominal width tolerance are valid for a temperature of 23°C (73 °F).

The actual width of the belt typically falls below the nominal value by 0.1% to 0.3%. For POM belts up to 750 mm (30") in width, the shrinkage ranges from -2 mm to 1 mm, and for those wider, from -0.35% to 0%.

Non-Standard belt widths are incremented by 25.4 mm (1"). The minimum width is 50.8 mm (2.0").

7870 FG *Flush Grid* Tappeto Modulare 7870 FG, H=6 M=3" Modular Belt Series 7870 FG, H=6 M=3" / Modulare Mattenkette 7870 FG, H=6 M=3"

Backflex radius min.: 7.5 mm | Pin diameter: 3 mm



pg. 40

Active transfer plate

pg. 62>66



pg. 269>286

25.0%
OPEN SURFACE

8 mm
PITCH



- Easier installation
- Quicker maintenance

Width* (Inch)

0003

0006

0009

0012

0015

0018

0021

0024

0027

0030

0033

0036

0039

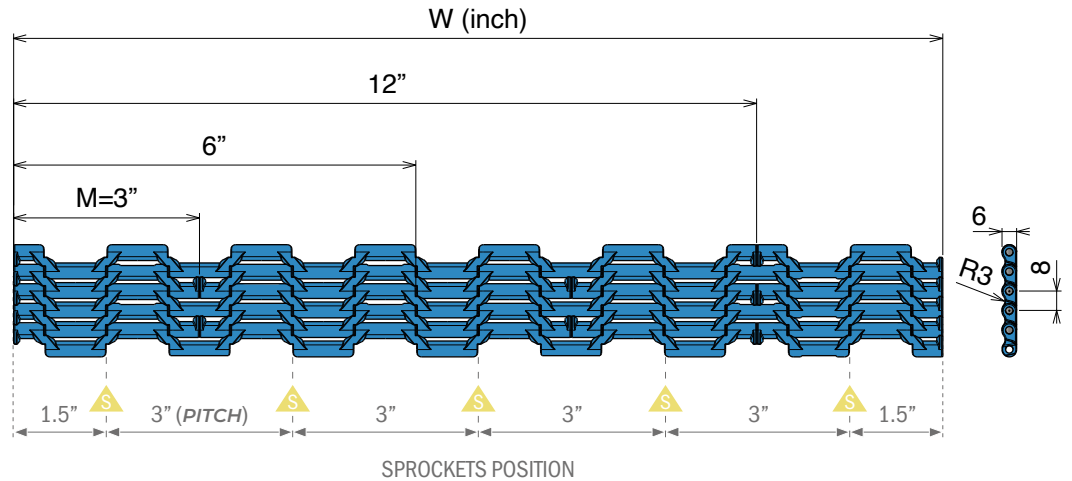
0042

0045

0048

0051

0054



SPROCKETS POSITION

BELT MATERIAL

POM - Acetal resin

BELT COLORS

RAL 5005

Cyan

White

LFA

PINS AVAILABLE

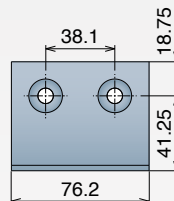
PBT Pin

Max w. load: 3000 N/m
Weight: 5.1 kg/m²
Temp. range: -40+80 °C

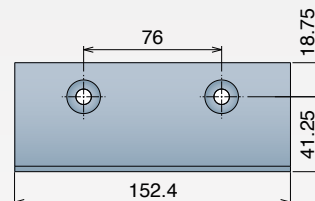
Nosebars

The best solution for a combination of short transfer and high performance:

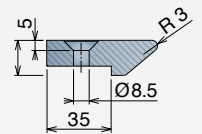
Made from super-performance **BluLub®**, the smallest gaps are reached between the belts to assure a smooth and precise transfer.



Art-Nr. **22818**



Art-Nr. **22819**



*Belts wider than standard are available with 3 inch increments.

The nominal tensile strength and the nominal width tolerance are valid for a temperature of 23°C (73 °F).

The actual width of the belt typically falls below the nominal value by 0.1% to 0.3%.

Non-Standard belt widths are incremented by 25.4 mm (1"). The minimum width is 50.8 mm (2.0").

7870 DT *Diamond Top* Tappeto Modulare 7870 DT, H=6 M=3" Modular Belt Series 7870 DT, H=6 M=3" / Modulare Mattenkette 7870 DT, H=6 M=3"

Backflex radius min.: 7.5 mm | Pin diameter: 3 mm

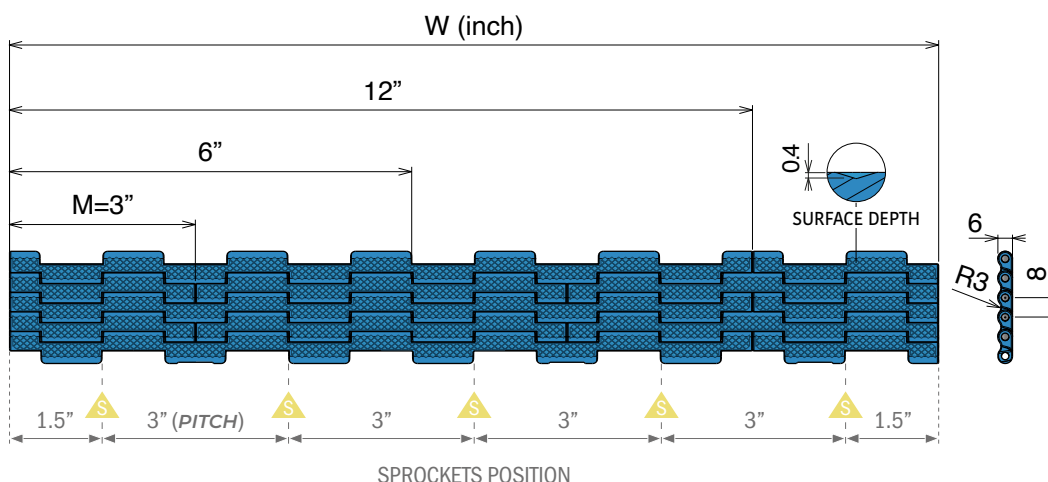
	Active transfer plate	
pg. 40	pg. 62>66	pg. 269>286

8 mm
PITCH



- Easier installation
- Quicker maintenance

Width* (inch)
0003
0006
0009
0012
0015
0018
0021
0024
0027
0030
0033
0036
0039
0042
0045
0048
0051
0054

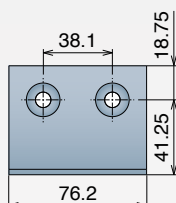


BELT MATERIAL	
POM - Acetal resin	
BELT COLORS	
RAL 5005	Cyan
White	LFA
PINS AVAILABLE	
PBT Pin	
Max w. load:	3000 N/m
Weight:	5.7 kg/m ²
Temp. range:	-40+80 °C

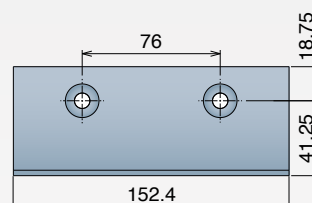
Nosebars

The best solution for a combination of short transfer and high performance:

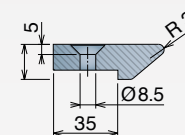
Made from super-performance **BluLub®**, the smallest gaps are reached between the belts to assure a smooth and precise transfer.



Art-Nr. **22818**



Art-Nr. **22819**



*Belts wider than standard are available with 3 inch increments.

The nominal tensile strength and the nominal width tolerance are valid for a temperature of 23°C (73 °F).

The actual width of the belt typically falls below the nominal value by 0.1% to 0.3%. For POM belts up to 750 mm (30") in width, the shrinkage ranges from -2 mm to 1 mm, and for those wider, from -0.35% to 0%.

Non-Standard belt widths are incremented by 25.4 mm (1"). The minimum width is 50.8 mm (2.0").

Imperial Size

7870 CT Cone Top Tappeto Modulare 7870 CT, H=6 M=3" / Modular Belt Series 7870 CT, H=6 M=3" / Modulare Mattenkette 7870 CT, H=6 M=3"

Backflex radius min.: 7.5 mm | Pin diameter: 3 mm

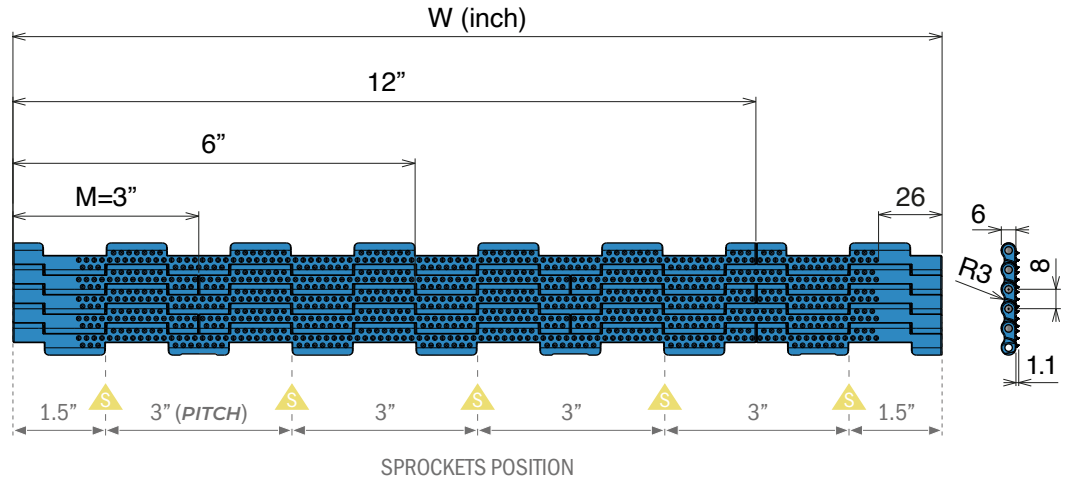
	Active transfer plate	
pg. 40	pg. 62>66	pg. 269>286

8 mm
PITCH



- Easier installation
- Quicker maintenance

Width* (Inch)
0003
0006
0009
0012
0015
0018
0021
0024
0027
0030
0033
0036
0039
0042
0045
0048
0051
0054

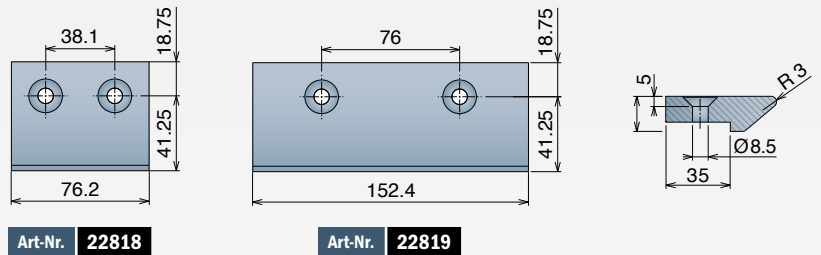


BELT MATERIAL	
POM - Acetal resin	
BELT COLORS	
RAL 5005	Cyan
White	LFA
PINS AVAILABLE	
PBT Pin	
Max w. load:	3000 N/m
Weight:	5.9 kg/m ²
Temp. range:	-40+80 °C

Nosebars

The best solution for a combination of short transfer and high performance:

Made from super-performance **BluLub®**, the smallest gaps are reached between the belts to assure a smooth and precise transfer.



*Belts wider than standard are available with 3 inch increments.

The nominal tensile strength and the nominal width tolerance are valid for a temperature of 23°C (73 °F).

The actual width of the belt typically falls below the nominal value by 0.1% to 0.3%.

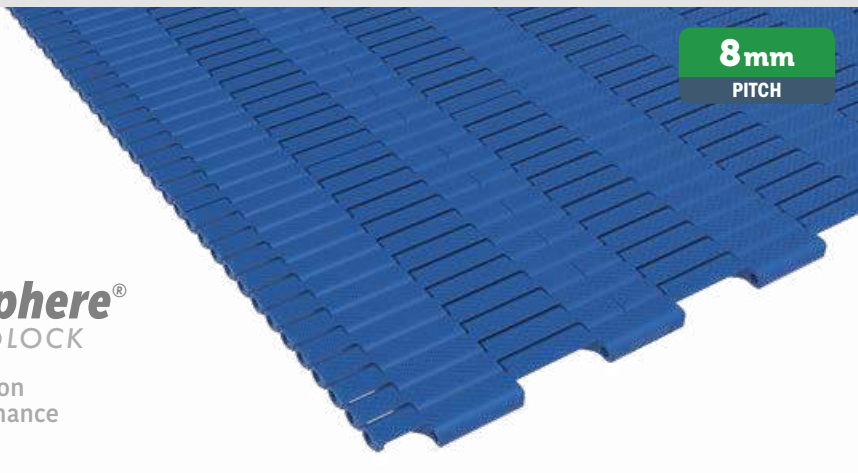
Non-Standard belt widths are incremented by 25.4 mm (1"). The minimum width is 50.8 mm (2.0").

Tappeti modulari / Modular belts / Mattenketten

7870 NS *Non Slip* Tappeto Modulare 7870 NS, H=6 M=3" Modular Belt Series 7870 NS, H=6 M=3" / Modulare Mattenkette 7870 NS, H=6 M=3"

Backflex radius min.: 7.5 mm | Pin diameter: 3 mm

	Active transfer plate	
pg. 40	pg. 62>66	pg. 269>286



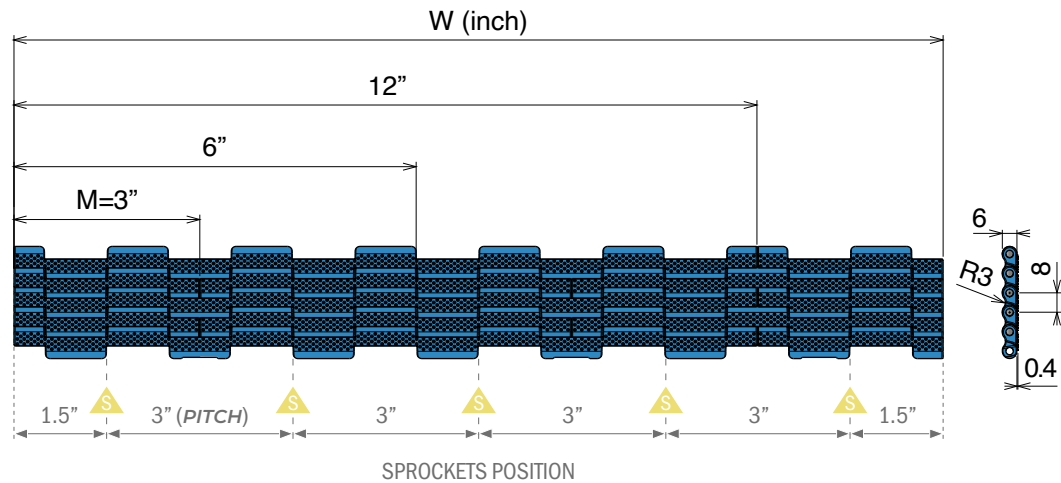
8 mm
PITCH

Imperial Size



- Easier installation
- Quicker maintenance

Width* (inch)
0003
0006
0009
0012
0015
0018
0021
0024
0027
0030
0033
0036
0039
0042
0045
0048
0051
0054

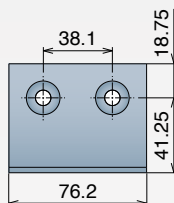


BELT MATERIAL	
POM - Acetal resin	
BELT COLORS	
RAL 5005	Cyan
White	LFA
PINS AVAILABLE	
PBT Pin	
Max w. load:	3000 N/m
Weight:	5.9 kg/m ²
Temp. range:	-40+80 °C

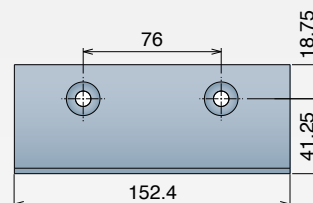
Nosebars

The best solution for a combination of short transfer and high performance:

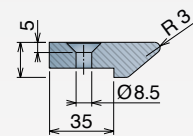
Made from super-performance **BluLub®**, the smallest gaps are reached between the belts to assure a smooth and precise transfer.



Art-Nr. **22818**



Art-Nr. **22819**



*Belts wider than standard are available with 3 inch increments.

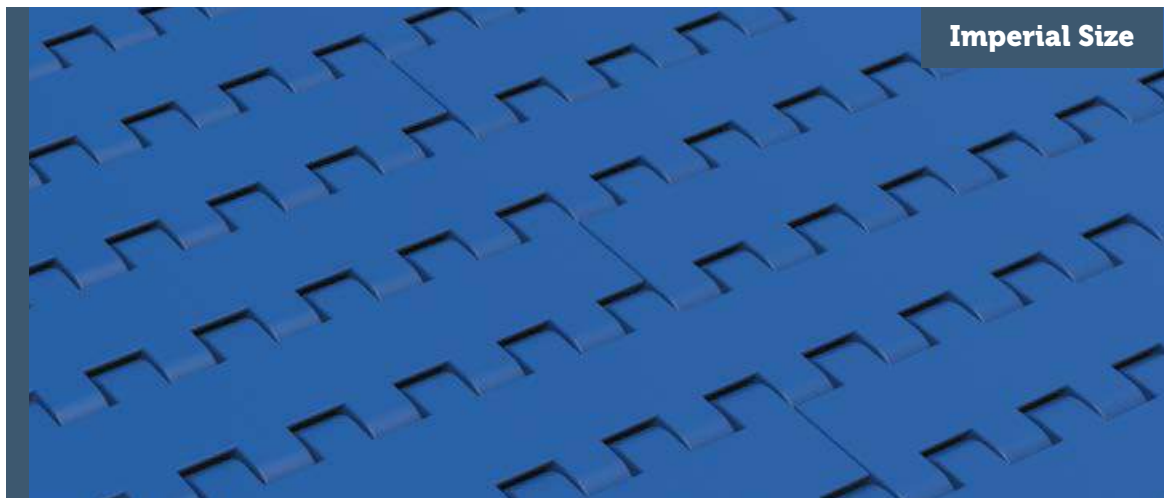
The nominal tensile strength and the nominal width tolerance are valid for a temperature of 23°C (73 °F).

The actual width of the belt typically falls below the nominal value by 0.1% to 0.3%. For POM belts up to 750 mm (30") in width, the shrinkage ranges from -2 mm to 1 mm, and for those wider, from -0.35% to 0%.

Non-Standard belt widths are incremented by 25.4 mm (1"). The minimum width is 50.8 mm (2.0").

590

Pitch 19,05 mm
H= 8,7 mm



590 FT
590 FG
Accessories

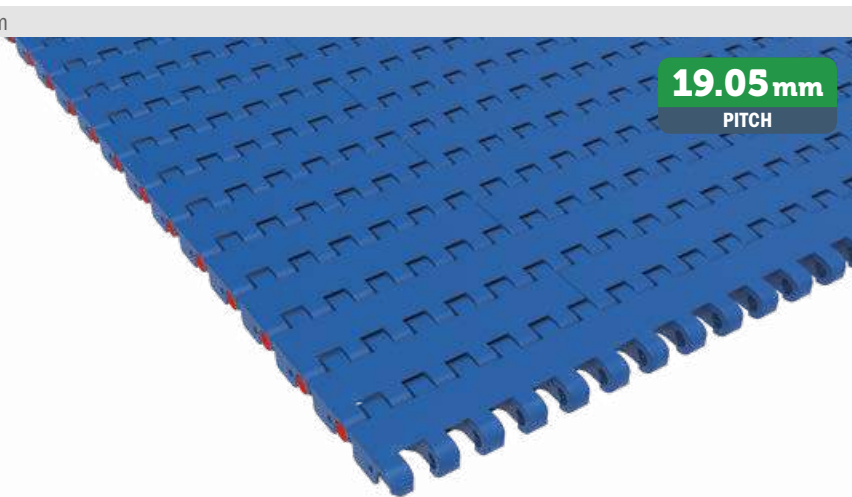
590 FT Flat Top Tappeto Modulare 590 FT, H=8,7 M=3" Modular Belt Series 590 FT, H=8,7 M=3" / Modulare Mattenkette 590 FT, H=8,7 M=3"

Backflex radius min.: 25 mm | Pin diameter: 4.25 mm

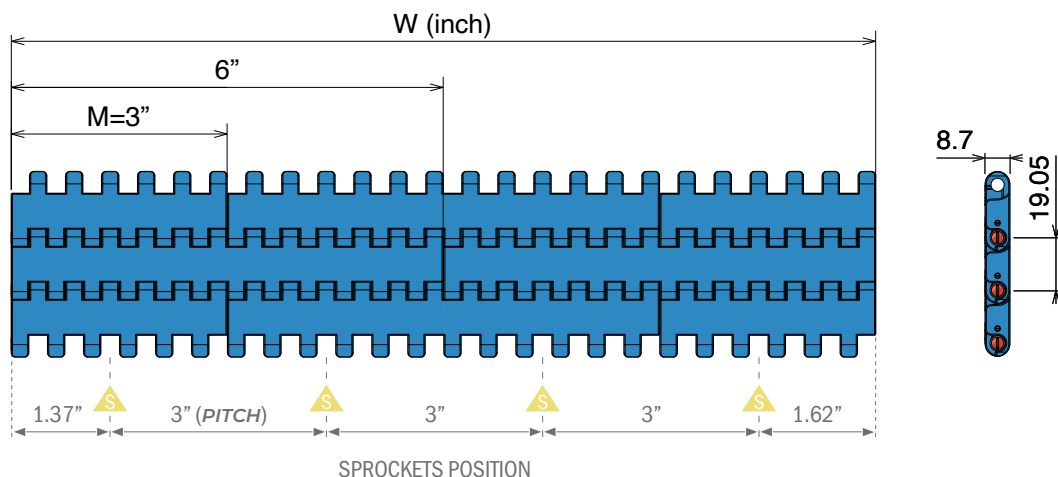
	A Accessories	
pg. 41	pg. 17	pg. 269>286

19.05 mm
PITCH

Imperial Size



- Width* (inch)**
- 0003
 - 0006
 - 0009
 - 0012
 - 0015
 - 0018
 - 0021
 - 0024
 - 0027
 - 0030
 - 0033
 - 0036
 - 0039
 - 0042
 - 0045
 - 0048
 - 0051
 - 0054



BELT MATERIAL	
POM - Acetal resin	
BELT COLORS	
RAL 5005	Cyan
White	LFA
PINS AVAILABLE	
PBT Pin	PAG Pin
Max w. load: 30000 N/m Weight: 7.2 kg/m ² Temp. range: -40+80 °C	Max w. load: 26000 N/m Weight: 7.2 kg/m ² Temp. range: -40+93 °C
PE Pin	PP Pin
Max w. load: 16000 N/m Weight: 7.2 kg/m ² Temp. range: -40+65 °C	Max w. load: 15000 N/m Weight: 7.2 kg/m ² Temp. range: +5+93 °C

BELT MATERIAL	
PP - Polypropylene	
BELT COLORS	
RAL 5005	Cyan
White	Grey
PINS AVAILABLE	
PBT Pin	PAG Pin
Max w. load: 22500 N/m Weight: 5.2 kg/m ² Temp. range: 0+100 °C	Max w. load: 18000 N/m Weight: 5.2 kg/m ² Temp. range: 0+80 °C
PE Pin	PP Pin
Max w. load: 11000 N/m Weight: 5.2 kg/m ² Temp. range: 0+65 °C	Max w. load: 13000 N/m Weight: 5.2 kg/m ² Temp. range: 0+100 °C

***Belts wider than standard are available with 3 inch increments.**

The nominal tensile strength and the nominal width tolerance are valid for a temperature of 23°C (73 °F).

The actual width of the belt typically falls below the nominal value by 0.1% to 0.3%. For POM belts up to 750 mm (30") in width, the shrinkage ranges from -4 mm to 0 mm, and for those wider, from -0.5% to 0%.

For PP belts up to 750 mm (30") in width, the decrease is between -3 mm and 0 mm, with the reduction for wider belts ranging from -0.25% to 0.25%.

Non-Standard belt widths are incremented by 12.7 mm (0.5"). The minimum width is 76.2 (3.0").

590 FG Flush Grid

Tappeto Modulare 590 FG, H=8,7 M=3"
 Modular Belt Series 590 FG, H=8,7 M=3" / Modulare Mattenkette 590 FG, H=8,7 M=3"

Backflex radius min.: 25 mm | Pin diameter: 4.25 mm



pg. 41

A

Accessories

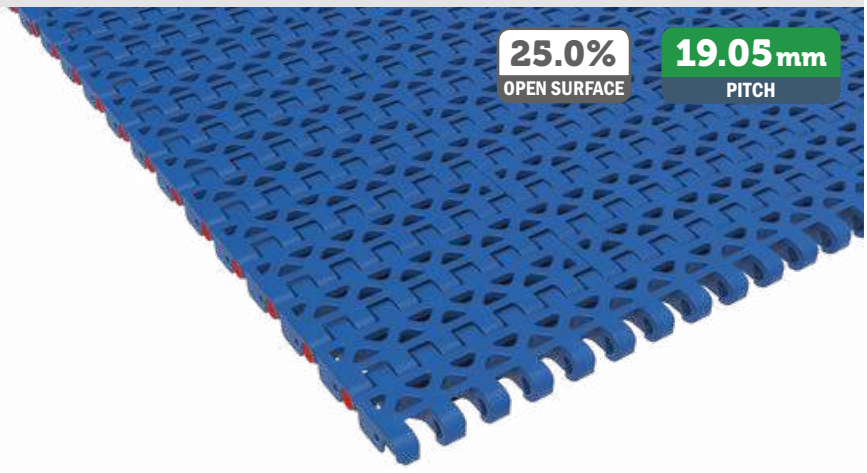
pg. 17



pg. 269>286

25.0%
OPEN SURFACE

19.05 mm
PITCH



Width* (Inch)

0003

0006

0009

0012

0015

0018

0021

0024

0027

0030

0033

0036

0039

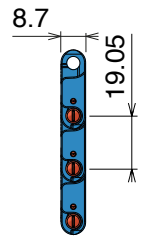
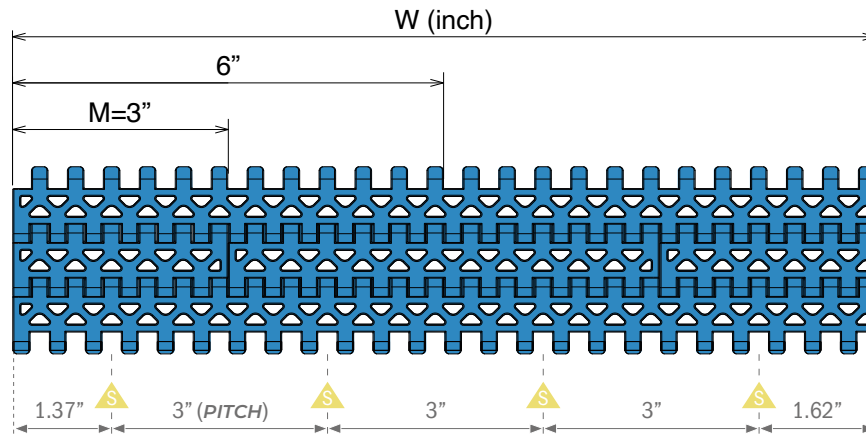
0042

0045

0048

0051

0054



BELT MATERIAL	
POM - Acetal resin	
BELT COLORS	
RAL 5005	Cyan
White	LFA
PINS AVAILABLE	
PBT Pin	PA6 Pin
Max w. load: 30000 N/m	Max w. load: 26000 N/m
Weight: 7.0 kg/m ²	Weight: 7.0 kg/m ²
Temp. range: -40+80 °C	Temp. range: -40+93 °C
PE Pin	PP Pin
Max w. load: 16000 N/m	Max w. load: 15000 N/m
Weight: 7.0 kg/m ²	Weight: 7.0 kg/m ²
Temp. range: -40+65 °C	Temp. range: +5+93 °C

BELT MATERIAL	
PP - Polypropylene	
BELT COLORS	
RAL 5005	Cyan
White	Grey
PINS AVAILABLE	
PBT Pin	PA6 Pin
Max w. load: 22500 N/m	Max w. load: 18000 N/m
Weight: 4.9 kg/m ²	Weight: 4.9 kg/m ²
Temp. range: 0+100 °C	Temp. range: 0+80 °C
PE Pin	PP Pin
Max w. load: 11000 N/m	Max w. load: 13000 N/m
Weight: 4.9 kg/m ²	Weight: 4.9 kg/m ²
Temp. range: 0+65 °C	Temp. range: 0+100 °C

***Belts wider than standard are available with 3 inch increments.**

The nominal tensile strength and the nominal width tolerance are valid for a temperature of 23°C (73 °F).

The actual width of the belt typically falls below the nominal value by 0.1% to 0.3%. For POM belts up to 750 mm (30") in width, the shrinkage ranges from -4 mm to 0 mm, and for those wider, from -0.5% to 0%.

For PP belts up to 750 mm (30") in width, the decrease is between -3 mm and 0 mm, with the reduction for wider belts ranging from -0.25% to 0.25%.

Non-Standard belt widths are incremented by 12.7 mm (0.5"). The minimum width is 76.2 (3.0").

Imperial Size

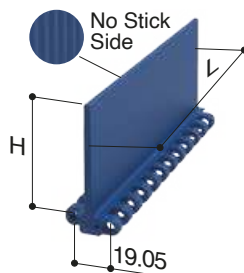
Tappeti modulari / Modular belts / Mattenketten

Accessories for 590 Series - Configuration

Imperial Size

Straight flight

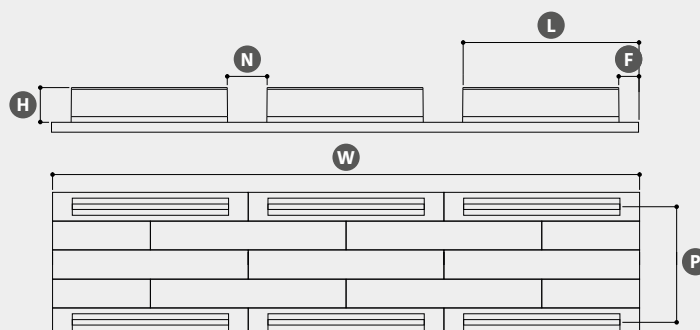
Closed hinge design



Straight flight modules are available with one smooth side and one side "no-stick" developed to improve handling of wet or sticky food products.

Technical configuration

Dimensions expressed in millimeter



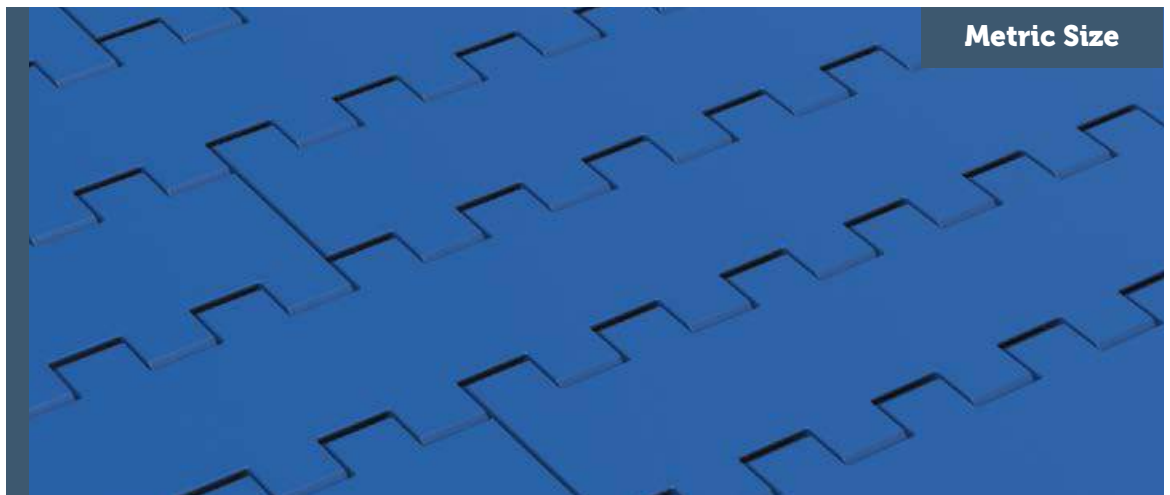
All Accessories have closed hinge design.

Belt surface	Flat Top (FT)				Flush Grid (FG)			
Belt Material & Color	POM - Acetal resin				PP - Polypropylene			
	RAL 5005		Cyan		RAL 5005		Cyan	
	White		LFA		White		Grey	
Pin Material	PBT	PA6	PE	PP	PBT	PA6	PE	PP
W Width	Standard (3"/76,2 mm multiple)		Special (12,7 mm multiple)		Requested quantity	Length (meters)		
H Accessories height	Straight flight							
	25		51		76			
P Pitch	Number of pitches or distance between accessories (19,05 mm multiple)							
F Flight Side Indent	Straight flight							
	0	25	38	50	76,2			
Notch*	No		Single		Double		Triple	
	N Notch width (38 or 76,2 mm multiple)				L Notch distance (2 or more)			

For some combinations the nominal tensile strength of the belt will be reduced due to the accessoris. For different combinations, please ask to your sales representative.

7510

Pitch 25,4 mm
H= 11 mm



7510 FT
7510 NT
7510 DT
7510 MT
Accessories

7510 FT Flat Top Tappeto Modulare 7510 FT, H=11 M=50 Modular Belt Series 7510 FT, H=11 M=50 / Modulare Mattenkette 7510 FT, H=11 M=50

Backflex radius min.: 45 mm | Pin diameter: 5 mm

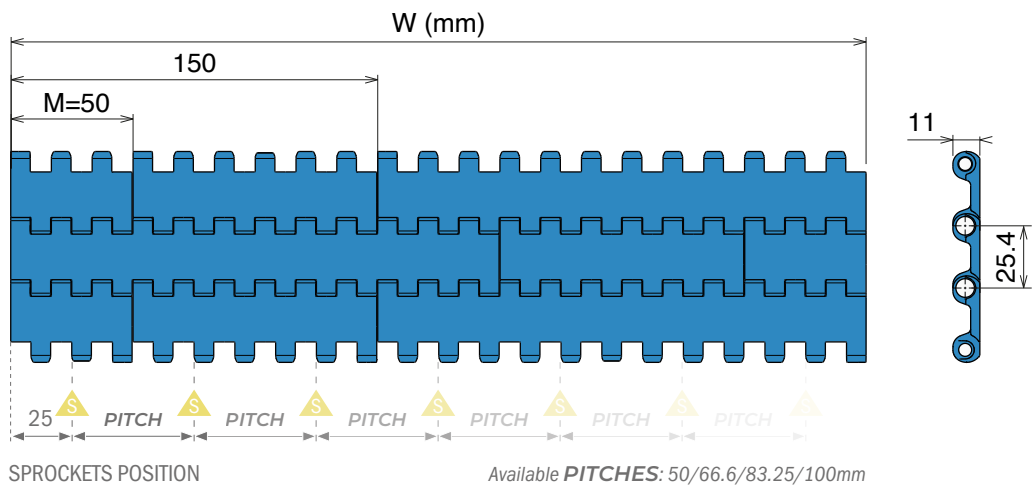
	A Accessories	
pg. 42/43	pg. 23	pg. 269>286



25.4mm
PITCH

Metric Size

- Width* (mm)
- 0050
 - 0100
 - 0150
 - 0200
 - 0250
 - 0300
 - 0350
 - 0400
 - 0450
 - 0500
 - 0550
 - 0600
 - 0650
 - 0700
 - 0750
 - 0800
 - 0850
 - 0900



BELT MATERIAL	
PE - Polyethylene	
BELT COLORS	
RAL 5005	Cyan
White	Natural
PINS AVAILABLE	
PBT Pin	PA6 Pin
Max w. load: 8000 N/m	Max w. load: 8000 N/m
Weight: 5.4 kg/m ²	Weight: 5.4 kg/m ²
Temp. range: -40+65 °C	Temp. range: -40+65 °C
PE Pin	PP Pin
Max w. load: 8000 N/m	Max w. load: 8000 N/m
Weight: 5.4 kg/m ²	Weight: 5.4 kg/m ²
Temp. range: -70+65 °C	Temp. range: 0+65 °C

BELT MATERIAL	
POM - Acetal resin	
BELT COLORS	
RAL 5005	Cyan
White	
PINS AVAILABLE	
PBT Pin	PA6 Pin
Max w. load: 42000 N/m	Max w. load: 21900 N/m
Weight: 7.5 kg/m ²	Weight: 7.5 kg/m ²
Temp. range: -40+80 °C	Temp. range: -40+93 °C
PE Pin	PP Pin
Max w. load: 15000 N/m	Max w. load: 16000 N/m
Weight: 7.5 kg/m ²	Weight: 7.5 kg/m ²
Temp. range: -40+65 °C	Temp. range: +5+93 °C

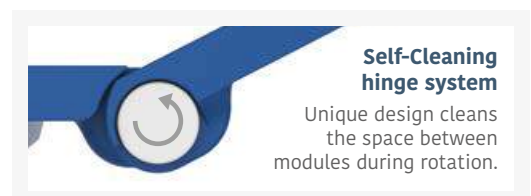
BELT MATERIAL	
PP - Polypropylene	
BELT COLORS	
RAL 5005	Cyan
White	
PINS AVAILABLE	
PBT Pin	PA6 Pin
Max w. load: 32000 N/m	Max w. load: 18600 N/m
Weight: 5.2 kg/m ²	Weight: 5.2 kg/m ²
Temp. range: 0+100 °C	Temp. range: 0+80 °C
PE Pin	PP Pin
Max w. load: 12000 N/m	Max w. load: 14000 N/m
Weight: 5.2 kg/m ²	Weight: 5.2 kg/m ²
Temp. range: 0+65 °C	Temp. range: 0+100 °C

*Belts wider than standard are available with 50 mm increments.

The nominal tensile strength and the nominal width tolerance are valid for a temperature of 23°C (73 °F).

The actual width of the belt typically falls below the nominal value by 0.1% to 0.3%.
 For PE belts up to 750 mm (30") in width, the reduction ranges from -5 mm to -1 mm, and for widths beyond that, from -0.75% to 0.35%.
 For POM belts up to 750 mm (30") in width, the shrinkage ranges from -4 mm to 0 mm, and for those wider, from -0.3% to -0.1%.
 For PP belts up to 750 mm (30") in width, the decrease is between -3 mm and 0 mm, with the reduction for wider belts ranging from -0.4% to 0%.

Non-Standard belt widths are incremented by 16.65 mm (0.66"). The minimum width is 50 mm (2").
 Non-bricklaid belts are available in widths of 50 mm (2"), 100 mm (4") and 200 mm (8").



7510 NT

Tappeti modulari / Modular belts / Mattenketten

Belts wider than standard are available with 50 mm increments (standard) or 16.65 inch increments (special)

7510 NT Nub Top Tappeto Modulare 7510 NT, H=11 M=50 Modular Belt Series 7510 NT, H=11 M=50 / Modulare Mattenkette 7510 NT, H=11 M=50

Backflex radius min.: 45 mm | Pin diameter: 5 mm

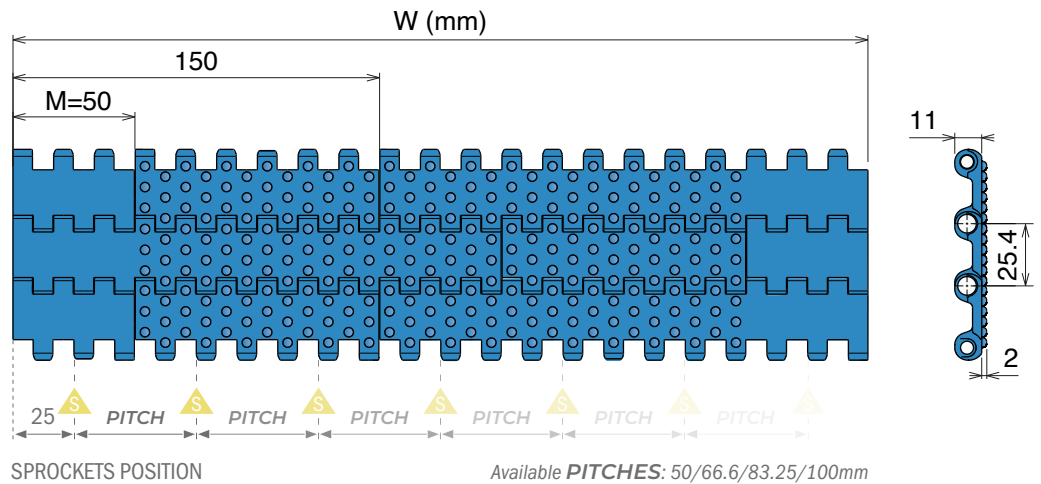
Metric Size

 pg. 42/43	A Accessories pg. 23	 pg. 269>286
---	-----------------------------------	---

25.4mm
PITCH



Width* (mm)
0050
0100
0150
0200
0250
0300
0350
0400
0450
0500
0550
0600
0650
0700
0750
0800
0850
0900



BELT MATERIAL	
PE - Polyethylene	
BELT COLORS	
RAL 5005	Cyan
White	Natural
PINS AVAILABLE	
PBT Pin	PA6 Pin
Max w. load: 8000 N/m Weight: 5.7 kg/m ² Temp. range: -40+65 °C	Max w. load: 8000 N/m Weight: 5.7 kg/m ² Temp. range: -40+65 °C
PE Pin	PP Pin
Max w. load: 8000 N/m Weight: 5.7 kg/m ² Temp. range: -70+65 °C	Max w. load: 8000 N/m Weight: 5.7 kg/m ² Temp. range: 0+65 °C

BELT MATERIAL	
POM - Acetal resin	
BELT COLORS	
RAL 5005	Cyan
White	
PINS AVAILABLE	
PBT Pin	PA6 Pin
Max w. load: 42000 N/m Weight: 7.9 kg/m ² Temp. range: -40+80 °C	Max w. load: 21900 N/m Weight: 7.9 kg/m ² Temp. range: -40+93 °C
PE Pin	PP Pin
Max w. load: 15000 N/m Weight: 7.9 kg/m ² Temp. range: -40+65 °C	Max w. load: 16000 N/m Weight: 7.9 kg/m ² Temp. range: +5+93 °C

BELT MATERIAL	
PP - Polypropylene	
BELT COLORS	
RAL 5005	Cyan
White	
PINS AVAILABLE	
PBT Pin	PA6 Pin
Max w. load: 32000 N/m Weight: 5.5 kg/m ² Temp. range: 0+100 °C	Max w. load: 18600 N/m Weight: 5.5 kg/m ² Temp. range: 0+80 °C
PE Pin	PP Pin
Max w. load: 12000 N/m Weight: 5.5 kg/m ² Temp. range: 0+65 °C	Max w. load: 14000 N/m Weight: 5.5 kg/m ² Temp. range: 0+100 °C

*Belts wider than standard are available with 50 mm increments.

The nominal tensile strength and the nominal width tolerance are valid for a temperature of 23°C (73 °F).

The actual width of the belt typically falls below the nominal value by 0.1% to 0.3%.
For PE belts up to 750 mm (30") in width, the reduction ranges from -5 mm to -2 mm, and for widths beyond that, from -0.75% to 0.35%.
For POM belts up to 750 mm (30") in width, the shrinkage ranges from -3 mm to 0 mm, and for those wider, from -0.4% to 0%.
For PP belts up to 750 mm (30") in width, the decrease is between -3 mm and 0 mm, with the reduction for wider belts ranging from -0.4% to 0%.

Non-Standard belt widths are incremented by 16.65 mm (0.66"). The minimum width is 50 mm (2").
Non-bricklaid belts are available in widths of 50 mm (2"), 100 mm (4") and 200 mm (8").

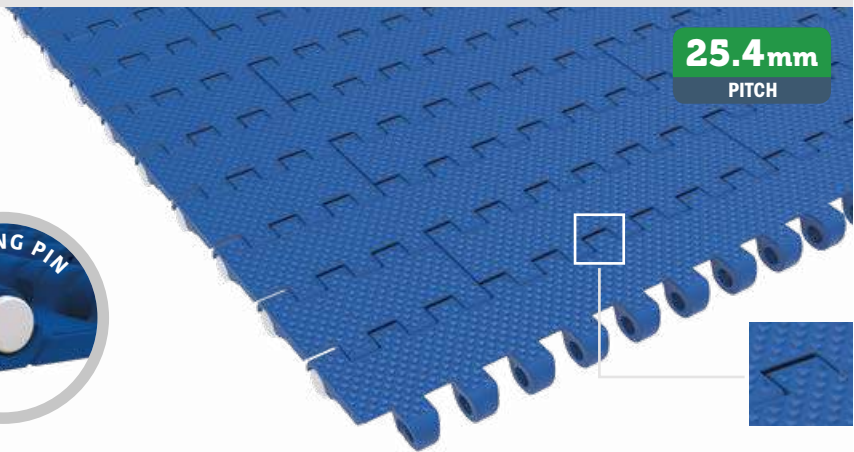


7510 DT *Diamond Top* Tappeto Modulare 7510 DT, H=11 M=50 Modular Belt Series 7510 DT, H=11 M=50 / Modulare Mattenkette 7510 DT, H=11 M=50

Backflex radius min.: 45 mm | Pin diameter: 5 mm

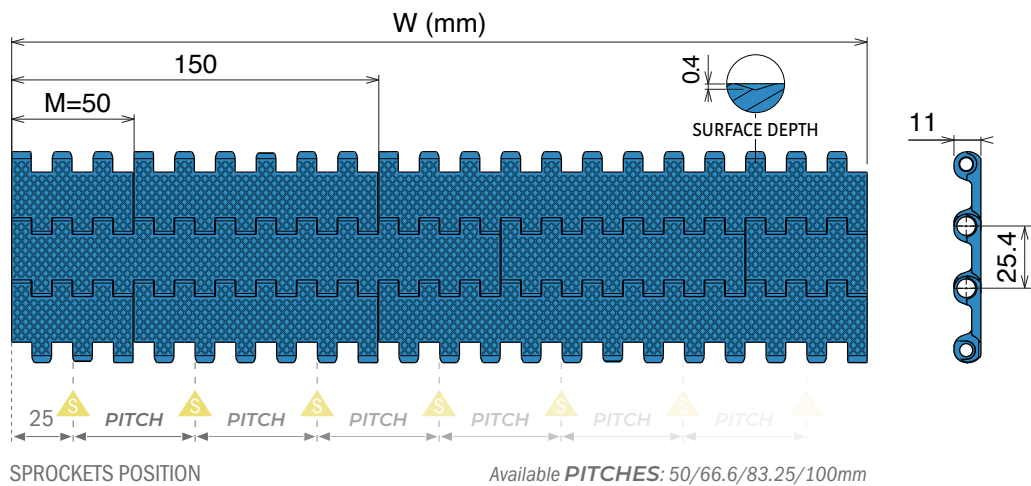
	A Accessories	
pg. 42/43	pg. 23	pg. 269>286

25.4mm
PITCH



Metric Size

Width* (mm)
0050
0100
0150
0200
0250
0300
0350
0400
0450
0500
0550
0600
0650
0700
0750
0800
0850
0900



BELT MATERIAL	
PE - Polyethylene	
BELT COLORS	
RAL 5005	Cyan
White	Natural
PINS AVAILABLE	
PBT Pin	PA6 Pin
Max w. load: 8000 N/m Weight: 5.3 kg/m ² Temp. range: -40+65 °C	Max w. load: 8000 N/m Weight: 5.3 kg/m ² Temp. range: -40+65 °C
PE Pin	PP Pin
Max w. load: 8000 N/m Weight: 5.3 kg/m ² Temp. range: -70+65 °C	Max w. load: 8000 N/m Weight: 5.3 kg/m ² Temp. range: 0+65 °C

BELT MATERIAL	
POM - Acetal resin	
BELT COLORS	
RAL 5005	Cyan
White	
PINS AVAILABLE	
PBT Pin	PA6 Pin
Max w. load: 42000 N/m Weight: 7.4 kg/m ² Temp. range: -40+80 °C	Max w. load: 21900 N/m Weight: 7.4 kg/m ² Temp. range: -40+93 °C
PE Pin	PP Pin
Max w. load: 15000 N/m Weight: 7.4 kg/m ² Temp. range: -40+65 °C	Max w. load: 16000 N/m Weight: 7.4 kg/m ² Temp. range: +5+93 °C

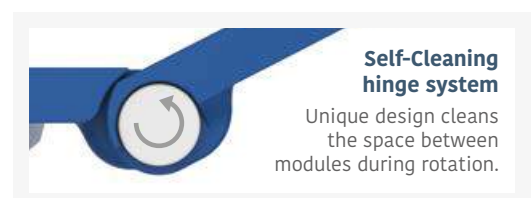
BELT MATERIAL	
PP - Polypropylene	
BELT COLORS	
RAL 5005	Cyan
White	
PINS AVAILABLE	
PBT Pin	PA6 Pin
Max w. load: 32000 N/m Weight: 5.1 kg/m ² Temp. range: 0+100 °C	Max w. load: 18600 N/m Weight: 5.1 kg/m ² Temp. range: 0+80 °C
PE Pin	PP Pin
Max w. load: 12000 N/m Weight: 5.1 kg/m ² Temp. range: 0+65 °C	Max w. load: 14000 N/m Weight: 5.1 kg/m ² Temp. range: 0+100 °C

*Belts wider than standard are available with 50 mm increments.

The nominal tensile strength and the nominal width tolerance are valid for a temperature of 23°C (73 °F).

The actual width of the belt typically falls below the nominal value by 0.1% to 0.3%.
For PE belts up to 750 mm (30") in width, the reduction ranges from -5 mm to -1 mm, and for widths beyond that, from -0.75% to 0.35%.
For POM belts up to 750 mm (30") in width, the shrinkage ranges from -4 mm to 0 mm, and for those wider, from -0.3% to -0.1%.
For PP belts up to 750 mm (30") in width, the decrease is between -3 mm and 0 mm, with the reduction for wider belts ranging from -0.4% to 0%.

Non-Standard belt widths are incremented by 16.65 mm (0.66"). The minimum width is 50 mm (2").
Non-bricklaid belts are available in widths of 50 mm (2"), 100 mm (4") and 200 mm (8").



7510 MT

Tappeti modulari / Modular belts / Mattenketten

Belts wider than standard are available with 50 mm increments (standard) or 16.65 inch increments (special)

7510 MT Mesh Top Tappeto Modulare 7510 MT, H=11 M=50 Modular Belt Series 7510 MT, H=11 M=50 / Modulare Mattenkette 7510 MT, H=11 M=50

Backflex radius min.: 45 mm | Pin diameter: 5 mm



pg. 42/43

A

Accessories

pg. 23



pg. 269>286

15.0%
OPEN SURFACE

25.4mm
PITCH



Metric Size

Width* (mm)

0050

0100

0150

0200

0250

0300

0350

0400

0450

0500

0550

0600

0650

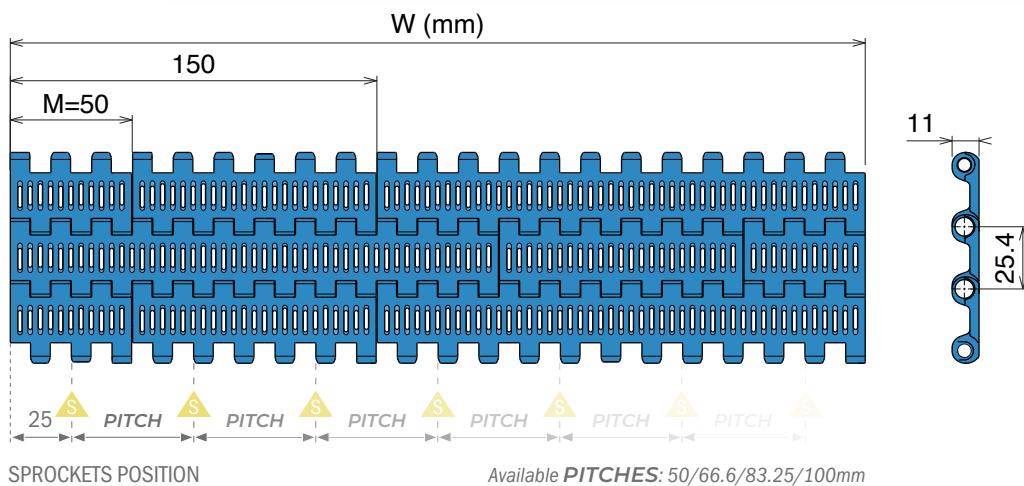
0700

0750

0800

0850

0900



SPROCKETS POSITION

Available PITCHES: 50/66.6/83.25/100mm

BELT MATERIAL

PE - Polyethylene

BELT COLORS

RAL 5005

Cyan

White

Natural

PINS AVAILABLE

PBT Pin

PA6 Pin

Max w. load: 8000 N/m
Weight: 4.9 kg/m²
Temp. range: -40+65 °C

Max w. load: 8000 N/m
Weight: 4.9 kg/m²
Temp. range: -40+65 °C

PE Pin

PP Pin

Max w. load: 8000 N/m
Weight: 4.9 kg/m²
Temp. range: -70+65 °C

Max w. load: 8000 N/m
Weight: 4.9 kg/m²
Temp. range: 0+65 °C

BELT MATERIAL

POM - Acetal resin

BELT COLORS

RAL 5005

Cyan

White

PINS AVAILABLE

PBT Pin

PA6 Pin

Max w. load: 42000 N/m
Weight: 6.7 kg/m²
Temp. range: -40+80 °C

Max w. load: 21900 N/m
Weight: 6.7 kg/m²
Temp. range: -40+93 °C

PE Pin

PP Pin

Max w. load: 15000 N/m
Weight: 6.7 kg/m²
Temp. range: -40+65 °C

Max w. load: 16000 N/m
Weight: 6.7 kg/m²
Temp. range: +5+93 °C

BELT MATERIAL

PP - Polypropylene

BELT COLORS

RAL 5005

Cyan

White

PINS AVAILABLE

PBT Pin

PA6 Pin

Max w. load: 32000 N/m
Weight: 4.7 kg/m²
Temp. range: 0+100 °C

Max w. load: 18600 N/m
Weight: 4.7 kg/m²
Temp. range: 0+80 °C

PE Pin

PP Pin

Max w. load: 12000 N/m
Weight: 4.7 kg/m²
Temp. range: 0+65 °C

Max w. load: 14000 N/m
Weight: 4.7 kg/m²
Temp. range: 0+100 °C

*Belts wider than standard are available with 50 mm increments.

The nominal tensile strength and the nominal width tolerance are valid for a temperature of 23°C (73 °F).

The actual width of the belt typically falls below the nominal value by 0.1% to 0.3%.

For PE belts up to 750 mm (30") in width, the reduction ranges from -4 mm to -1 mm, and for widths beyond that, from -0.75% to -0.35%.

For POM belts up to 750 mm (30") in width, the shrinkage ranges from -4 mm to -1 mm, and for those wider, from -0.75% to -0.35%.

For PP belts up to 750 mm (30") in width, the decrease is between -3 mm and 0 mm, with the reduction for wider belts ranging from -0.4% to 0%.

Non-Standard belt widths are incremented by 16.65 mm (0.66"). The minimum width is 50 mm (2").

Non-bricklaid belts are available in widths of 50 mm (2"), 100 mm (4") and 200 mm (8").



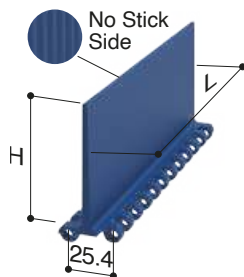
Self-Cleaning hinge system

Unique design cleans the space between modules during rotation.

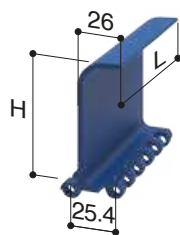
Tappeti modulari / Modular belts / Mattenketten

Accessories for 7510 Series - Configuration

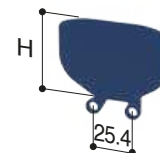
Straight flight



Curved flight



Sidewall



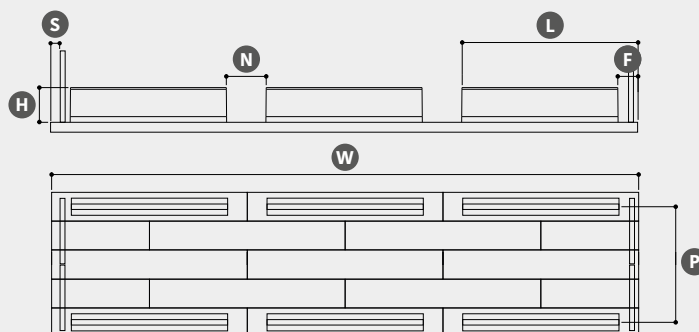
Straight flight modules are available with one smooth side and one side "no-stick" developed to improve handling of wet or sticky food products.

Sidewall modules include both sides, left and right.

Metric Size

Technical configuration

Dimensions expressed in millimeter



All Accessories have open hinge design.

Belt surface	Flat Top (FT)				Mesh Top (MT)				Nub Top (NT)				Diamond Top (DT)											
Belt Material & Color	PE - Polyethylene								POM - Acetal resin								PP - Polypropylene							
	RAL 5005				Cyan				RAL 5005				Cyan				RAL 5005				Cyan			
	White				Natural				White								White							
Pin Material	PBT	PA6	PE	PP	PBT	PA6	PE	PP	PBT	PA6	PE	PP	PBT	PA6	PE	PP								
W Width	Standard (50 multiple)				Special (16,65 multiple)				Requested quantity				Length (meters)											
H Accessories height	Straight flight								Curved flight				Sidewall											
	25		50		75		100		75				25		50									
P Pitch	Number of pitches or distance between accesories (25,4 mm multiple)																							
F Flight Side Indent	Straight or curved flight only								Straight or curved flight + Sidewalls															
	0		33		50		66,5		83,2		100		33		50		83,2		100					
S Sidewall Side Indent	-		-		-		-		-		-		16.5		33		66,5		83,2					
Notch*	No				Single				Double				Triple											
	N Notch width (16,65 mm multiple)								L Notch distance (2 or more)															

For some combinations the nominal tensile strength of the belt will be reduced due to the accessoris. For different combinations, please ask to your sales representative.

7520

Pitch 25,4 mm
H= 10 mm

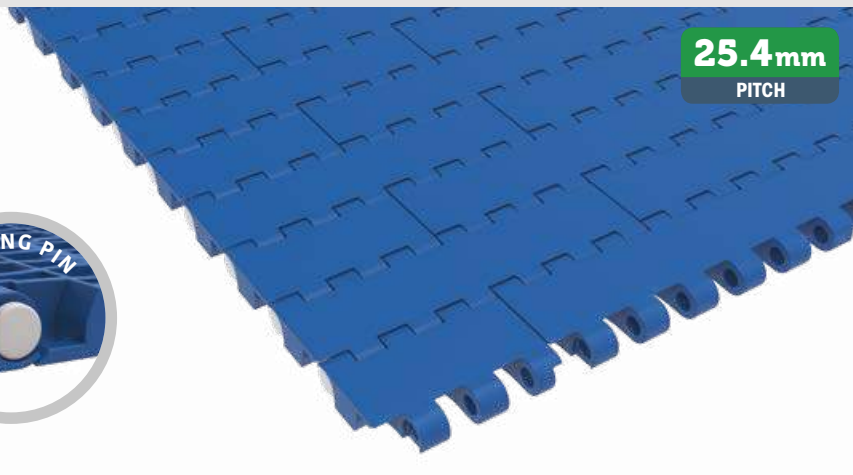


7520 FT
7520 FG
Accessories

7520 FT Flat Top Tappeto Modulare 7520 FT, H=10 M=50 Modular Belt Series 7520 FT, H=10 M=50 / Modulare Mattenkette 7520 FT, H=10 M=50

Backflex radius min.: 35 mm | Pin diameter: 5 mm

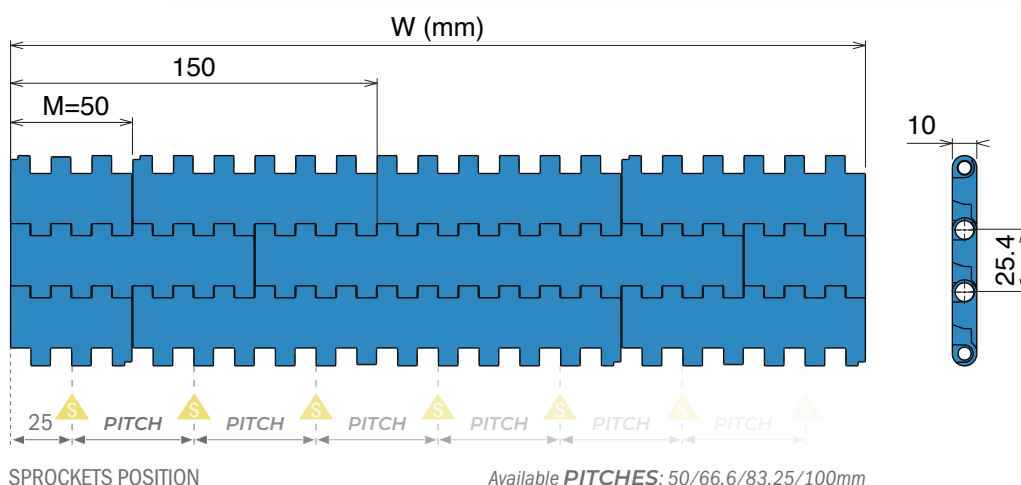
 pg. 42/43	A Accessories pg. 27	 pg. 269>286
---	-----------------------------------	---



25.4 mm
PITCH

Metric Size

Width* (mm)
0050
0100
0150
0200
0250
0300
0350
0400
0450
0500
0550
0600
0650
0700
0750
0800
0850
0900



BELT MATERIAL	
PE - Polyethylene	
BELT COLORS	
RAL 5005	Cyan
White	Natural
PINS AVAILABLE	
PBT Pin	PA6 Pin
Max w. load: 10000 N/m Weight: 6.0 kg/m ² Temp. range: -40+65 °C	Max w. load: 10000 N/m Weight: 6.0 kg/m ² Temp. range: -40+65 °C
PE Pin	PP Pin
Max w. load: 9000 N/m Weight: 6.0 kg/m ² Temp. range: -70+65 °C	Max w. load: 9000 N/m Weight: 6.0 kg/m ² Temp. range: 0+65 °C

BELT MATERIAL	
POM - Acetal resin	
BELT COLORS	
RAL 5005	Cyan
White	
PINS AVAILABLE	
PBT Pin	PA6 Pin
Max w. load: 60000 N/m Weight: 8.3 kg/m ² Temp. range: -40+80 °C	Max w. load: 32000 N/m Weight: 8.3 kg/m ² Temp. range: -40+93 °C
PE Pin	PP Pin
Max w. load: 16500 N/m Weight: 8.3 kg/m ² Temp. range: -40+65 °C	Max w. load: 21500 N/m Weight: 8.3 kg/m ² Temp. range: +5+93 °C

BELT MATERIAL	
PP - Polypropylene	
BELT COLORS	
RAL 5005	Cyan
White	
PINS AVAILABLE	
PBT Pin	PA6 Pin
Max w. load: 45000 N/m Weight: 5.7 kg/m ² Temp. range: 0+100 °C	Max w. load: 27000 N/m Weight: 5.7 kg/m ² Temp. range: 0+80 °C
PE Pin	PP Pin
Max w. load: 13000 N/m Weight: 5.7 kg/m ² Temp. range: 0+65 °C	Max w. load: 18000 N/m Weight: 5.7 kg/m ² Temp. range: 0+100 °C

*Belts wider than standard are available with 50 mm increments.

The nominal tensile strength and the nominal width tolerance are valid for a temperature of 23°C (73 °F).

The actual width of the belt typically falls below the nominal value by 0.1% to 0.3%.
For PE belts up to 750 mm (30") in width, the reduction ranges from -3 mm to 1 mm, and for widths beyond that, from -0.4% to 0.1%.
For POM belts up to 750 mm (30") in width, the shrinkage ranges from -2 mm to 1 mm, and for those wider, from -0.25% to -0.25%.
For PP belts up to 750 mm (30") in width, the decrease is between -1 mm and 2 mm, with the reduction for wider belts ranging from 0% to -0.45%.

Non-Standard belt widths are incremented by 16.65 mm (0.66"). The minimum width is 50 mm (2").
Non-bricklaid belts are available in widths of 50 mm (2"), 100 mm (4") and 200 mm (8").

7520 FG *Flush Grid* Tappeto Modulare 7520 FG, H=10 M=50 Modular Belt Series 7520 FG, H=10 M=50 / Modulare Mattenkette 7520 FG, H=10 M=50

Backflex radius min.: 35 mm | Pin diameter: 5 mm



pg. 42/43

A

Accessories

pg. 27



pg. 269>286

42.0%
OPEN SURFACE

25.4mm
PITCH



Metric Size

Width* (mm)

0050

0100

0150

0200

0250

0300

0350

0400

0450

0500

0550

0600

0650

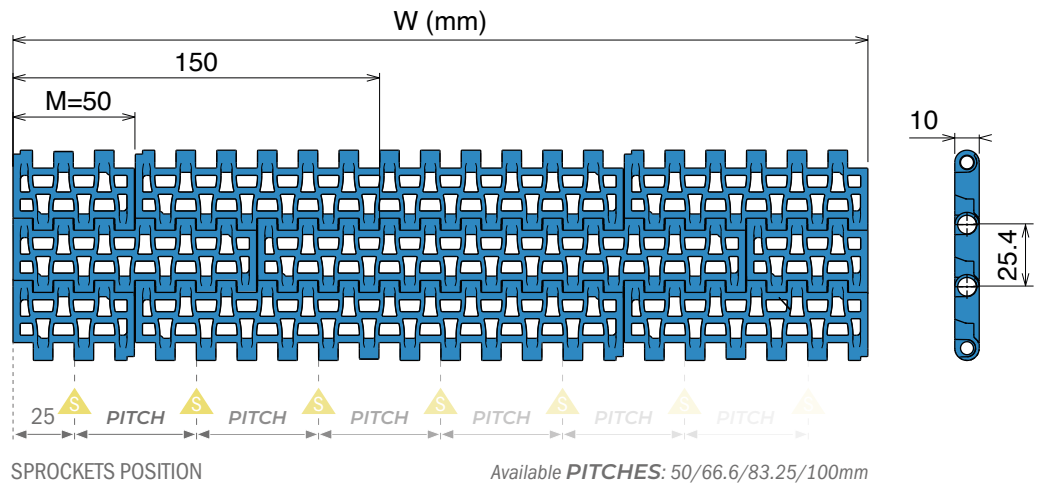
0700

0750

0800

0850

0900



BELT MATERIAL	
PE - Polyethylene	
BELT COLORS	
RAL 5005	Cyan
White	Natural
PINS AVAILABLE	
PBT Pin	PA6 Pin
Max w. load: 8000 N/m	Max w. load: 8000 N/m
Weight: 5.2 kg/m ²	Weight: 5.2 kg/m ²
Temp. range: -40+65 °C	Temp. range: -40+65 °C
PE Pin	PP Pin
Max w. load: 8000 N/m	Max w. load: 8000 N/m
Weight: 5.2 kg/m ²	Weight: 5.2 kg/m ²
Temp. range: -70+65 °C	Temp. range: 0+65 °C

BELT MATERIAL	
POM - Acetal resin	
BELT COLORS	
RAL 5005	Cyan
White	
PINS AVAILABLE	
PBT Pin	PA6 Pin
Max w. load: 60000 N/m	Max w. load: 24700 N/m
Weight: 7.2 kg/m ²	Weight: 7.2 kg/m ²
Temp. range: -40+80 °C	Temp. range: -40+93 °C
PE Pin	PP Pin
Max w. load: 15000 N/m	Max w. load: 18000 N/m
Weight: 7.2 kg/m ²	Weight: 7.2 kg/m ²
Temp. range: -40+65 °C	Temp. range: +5+93 °C

BELT MATERIAL	
PP - Polypropylene	
BELT COLORS	
RAL 5005	Cyan
White	
PINS AVAILABLE	
PBT Pin	PA6 Pin
Max w. load: 45000 N/m	Max w. load: 21000 N/m
Weight: 5.0 kg/m ²	Weight: 5.0 kg/m ²
Temp. range: 0+100 °C	Temp. range: 0+80 °C
PE Pin	PP Pin
Max w. load: 12000 N/m	Max w. load: 14000 N/m
Weight: 5.0 kg/m ²	Weight: 5.0 kg/m ²
Temp. range: 0+65 °C	Temp. range: 0+100 °C

*Belts wider than standard are available with 50 mm increments.

The nominal tensile strength and the nominal width tolerance are valid for a temperature of 23°C (73 °F).

The actual width of the belt typically falls below the nominal value by 0.1% to 0.3%.

For PE belts up to 750 mm (30") in width, the reduction ranges from -5 mm to -1 mm, and for widths beyond that, from -0.8% to -0.3%.

For POM belts up to 750 mm (30") in width, the shrinkage ranges from -3 mm to 0 mm, and for those wider, from -0.4% to 0.1%.

For PP belts up to 750 mm (30") in width, the decrease is between -2 mm and 1 mm, with the reduction for wider belts ranging from -0.4% to 0.1%.

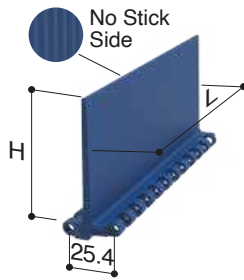
Non-Standard belt widths are incremented by 16.65 mm (0.66"). The minimum width is 50 mm (2").

Non-bricklaid belts are available in widths of 50 mm (2"), 100 mm (4") and 200 mm (8").

Accessories for 7520 Series - Configuration

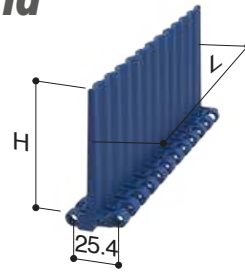
Straight flight

Closed hinge design

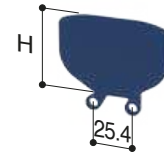


Flush grid flight

Closed hinge design



Sidewall



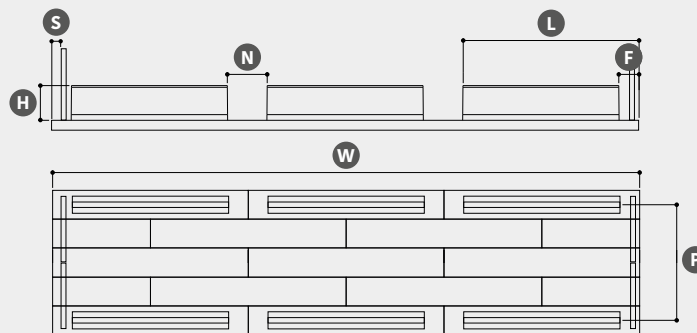
Straight flight modules are available with one smooth side and one side "no-stick" developed to improve handling of wet or sticky food products.

Sidewall modules include both sides, left and right.

Metric Size

Technical configuration

Dimensions expressed in millimeter



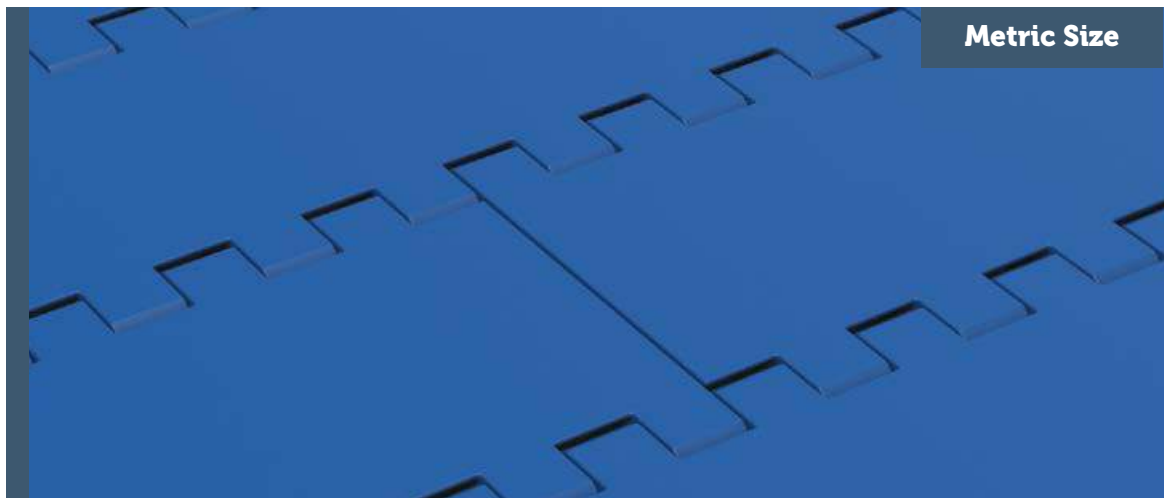
All Accessories have closed hinge design.

Belt surface	Flat Top (FT)				Flush Grid (FG)							
Belt Material & Color	PE - Polyethylene				POM - Acetal resin				PP - Polypropylene			
	RAL 5005		Cyan		RAL 5005		Cyan		RAL 5005		Cyan	
Pin Material	White		Natural		White				White			
	PBT	PA6	PE	PP	PBT	PA6	PE	PP	PBT	PA6	PE	PP
W Width	Standard (50 multiple)			Special (16,65 multiple)			Requested quantity		Length (meters)			
H Accessories height	Straight flight				Flush grid flight		Sidewall					
	25	50	75	100	75		25	50				
P Pitch	Number of pitches or distance between accessories (25,4 mm multiple)											
F Flight Side Indent	Straight or flush grid flight only						Straight or flush grid flight + Sidewalls					
	0	33	50	66,5	83,2	100	33	50	83,2	100		
S Sidewall Side Indent	-	-	-	-	-	-	16.5	33	66,5	83,2		
Notch*	No		Single		Double		Triple					
	N Notch width (16,65 mm multiple)				L Notch distance (2 or more)							

For some combinations the nominal tensile strength of the belt will be reduced due to the accessoris. For different combinations, please ask to your sales representative.

7010

Pitch 50,8 mm
H= 16 mm

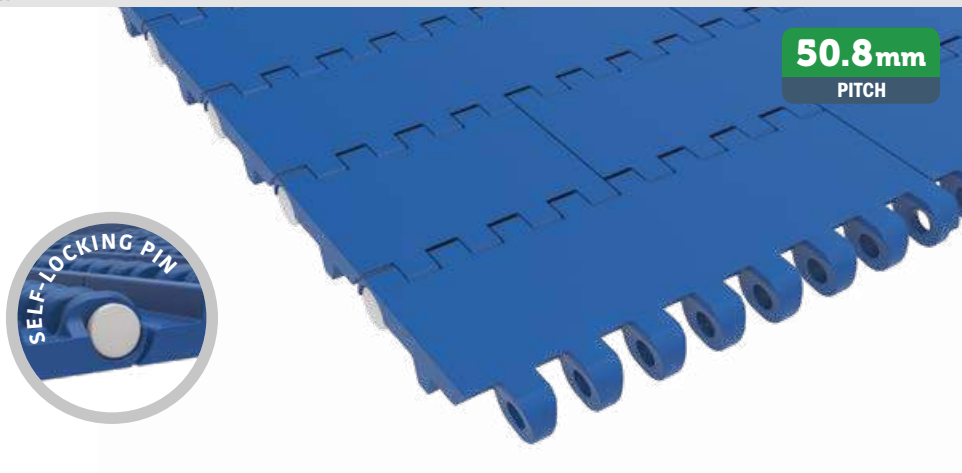


7010 FT
7010 CT
7010 NT
7010 PT
Accessories

7010 FT Flat Top Tappeto Modulare 7010 FT, H=16 M=75 Modular Belt Series 7010 FT, H=16 M=75 / Modulare Mattenkette 7010 FT, H=16 M=75

Backflex radius min.: 50 mm | Pin diameter: 7 mm

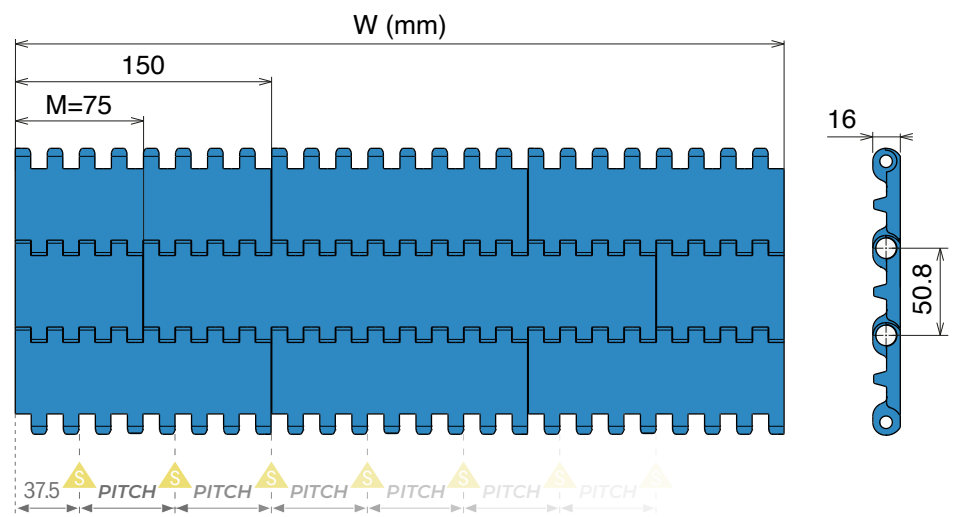
 pg. 44	A Accessories pg. 33	 pg. 269>286
--	-----------------------------------	---



50.8mm
PITCH

Metric Size

- Width* (mm)
- 0075
 - 0150
 - 0225
 - 0300
 - 0375
 - 0450
 - 0525
 - 0600
 - 0675
 - 0750
 - 0825
 - 0900
 - 0975
 - 1050
 - 1125
 - 1200
 - 1275
 - 1350



SPROCKETS POSITION Available PITCHES: 56.25/75/93.75/112.5/131.25/150mm

PE - Polyethylene

BELT COLORS AVAILABLE	
RAL 5005	Cyan
White	Natural
PINS AVAILABLE	
PBT Pin	PA6 Pin
Max w. load: 10000 N/m	Max w. load: 10000 N/m
Weight: 9.8 kg/m ²	Weight: 9.8 kg/m ²
Temp. range: -40+65 °C	Temp. range: -40+65 °C
PE Pin	PP Pin
Max w. load: 10000 N/m	Max w. load: 10000 N/m
Weight: 9.8 kg/m ²	Weight: 9.8 kg/m ²
Temp. range: -70+65 °C	Temp. range: 0+65 °C

POM - Acetal resin

BELT COLORS AVAILABLE	
RAL 5005	Cyan
White	
PINS AVAILABLE	
PBT Pin	PA6 Pin
Max w. load: 35000 N/m	Max w. load: 30000 N/m
Weight: 13.9 kg/m ²	Weight: 13.9 kg/m ²
Temp. range: -40+80 °C	Temp. range: -40+93 °C
PE Pin	PP Pin
Max w. load: 18000 N/m	Max w. load: 16000 N/m
Weight: 13.9 kg/m ²	Weight: 13.9 kg/m ²
Temp. range: -40+65 °C	Temp. range: +5+93 °C

PP - Polypropylene

BELT COLORS AVAILABLE	
RAL 5005	Cyan
White	
PINS AVAILABLE	
PBT Pin	PA6 Pin
Max w. load: 26000 N/m	Max w. load: 22000 N/m
Weight: 9.4 kg/m ²	Weight: 9.4 kg/m ²
Temp. range: 0+100 °C	Temp. range: 0+80 °C
PE Pin	PP Pin
Max w. load: 13500 N/m	Max w. load: 14500 N/m
Weight: 9.4 kg/m ²	Weight: 9.4 kg/m ²
Temp. range: 0+65 °C	Temp. range: 0+100 °C

*Belts wider than standard are available with 75 mm increments.

The nominal tensile strength and the nominal width tolerance are valid for a temperature of 23°C (73 °F).
 The actual width of the belt typically falls below the nominal value by 0.1% to 0.3%.
 For PE belts up to 750 mm (30") in width, the reduction ranges from -3 mm to 0 mm, and for widths beyond that, from -0.4% to 0%.
 For POM belts up to 750 mm (30") in width, the shrinkage ranges from -3 mm to 0 mm, and for those wider, from -0.4% to 0%.
 For PP belts up to 750 mm (30") in width, the decrease is between -3 mm and 0 mm, with the reduction for wider belts ranging from -0.3% to 0.1%.
 Non-Standard belt widths are incremented by 18.75 mm (0.74"). The minimum width is 37.5 mm (1.5").
 Non-bricklaid belts are available in widths of 75 mm (3"), 150 mm (6"), 300 (12") and 600 mm (24").



Self-Cleaning hinge system
 Unique design cleans the space between modules during rotation.

7010 CT Cone Top Tappeto Modulare 7010 CT, H=16 M=75 Modular Belt Series 7010 CT, H=16 M=75 / Modulare Mattenkette 7010 CT, H=16 M=75

Backflex radius min.: 50 mm | Pin diameter: 7 mm

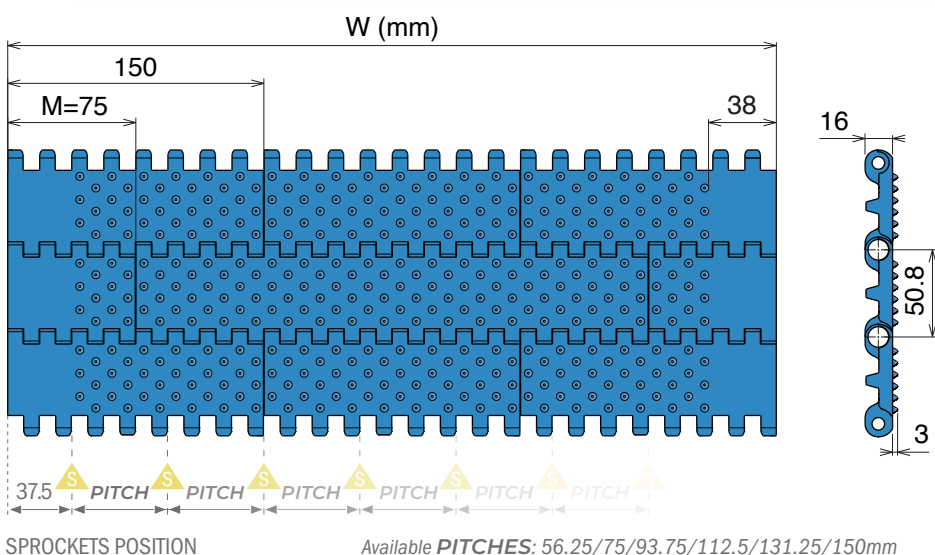
Metric Size

 pg. 44	A Accessories pg. 33	 pg. 269>286
--	-----------------------------------	---

50.8mm
PITCH



Width* (mm)
0075
0150
0225
0300
0375
0450
0525
0600
0675
0750
0825
0900
0975
1050
1125
1200
1275
1350



PE - Polyethylene

BELT COLORS AVAILABLE	
RAL 5005	Cyan
White	Natural

PINS AVAILABLE	
PBT Pin	PA6 Pin
Max w. load: 10000 N/m Weight: 9.9 kg/m ² Temp. range: -40+65 °C	Max w. load: 10000 N/m Weight: 9.9 kg/m ² Temp. range: -40+65 °C
PE Pin	PP Pin
Max w. load: 10000 N/m Weight: 9.9 kg/m ² Temp. range: -70+65 °C	Max w. load: 10000 N/m Weight: 9.9 kg/m ² Temp. range: 0+65 °C

POM - Acetal resin

BELT COLORS AVAILABLE	
RAL 5005	Cyan
White	

PINS AVAILABLE	
PBT Pin	PA6 Pin
Max w. load: 35000 N/m Weight: 14.1 kg/m ² Temp. range: -40+80 °C	Max w. load: 30000 N/m Weight: 14.1 kg/m ² Temp. range: -40+93 °C
PE Pin	PP Pin
Max w. load: 18000 N/m Weight: 14.1 kg/m ² Temp. range: -40+65 °C	Max w. load: 16000 N/m Weight: 14.1 kg/m ² Temp. range: +5+93 °C

PP - Polypropylene

BELT COLORS AVAILABLE	
RAL 5005	Cyan
White	

PINS AVAILABLE	
PBT Pin	PA6 Pin
Max w. load: 26000 N/m Weight: 9.5 kg/m ² Temp. range: 0+100 °C	Max w. load: 22000 N/m Weight: 9.5 kg/m ² Temp. range: 0+80 °C
PE Pin	PP Pin
Max w. load: 13500 N/m Weight: 9.5 kg/m ² Temp. range: 0+65 °C	Max w. load: 14500 N/m Weight: 9.5 kg/m ² Temp. range: 0+100 °C

*Belts wider than standard are available with 75 mm increments.

The nominal tensile strength and the nominal width tolerance are valid for a temperature of 23°C (73 °F).

The actual width of the belt typically falls below the nominal value by 0.1% to 0.3%.

For PE belts up to 750 mm (30") in width, the reduction ranges from -3 mm to 0 mm, and for widths beyond that, from -0.4% to 0%.

For POM belts up to 750 mm (30") in width, the shrinkage ranges from -3 mm to 0 mm, and for those wider, from -0.4% to 0%.

For PP belts up to 750 mm (30") in width, the decrease is between -3 mm and 0 mm, with the reduction for wider belts ranging from -0.3% to -0.1%.

Non-Standard belt widths are incremented by 18.75 mm (0.74"). The minimum width is 37.5 mm (1.5").

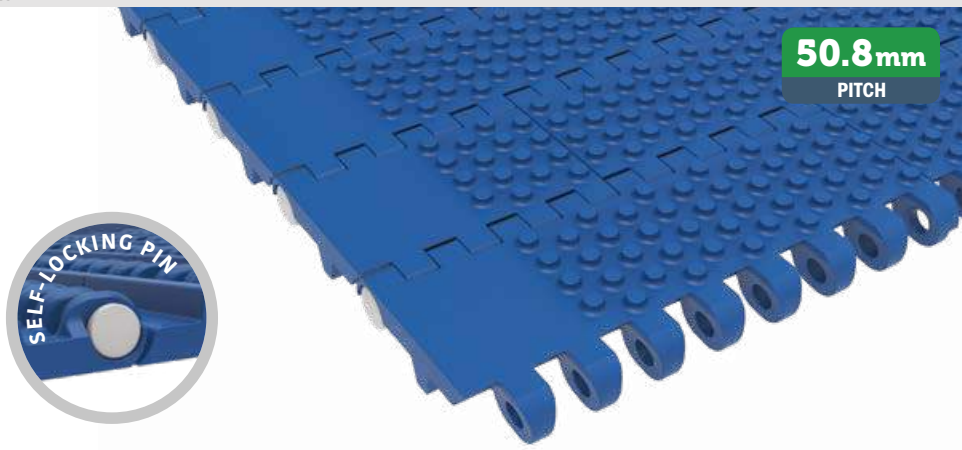
Non-bricklaid belts are available in widths of 75 mm (3"), 150 mm (6"), 300 (12") and 600 mm (24").



7010 NT *Nub Top* Tappeto Modulare 7010 NT, H=16 M=75 Modular Belt Series 7010 NT, H=16 M=75 / Modulare Mattenkette 7010 NT, H=16 M=75

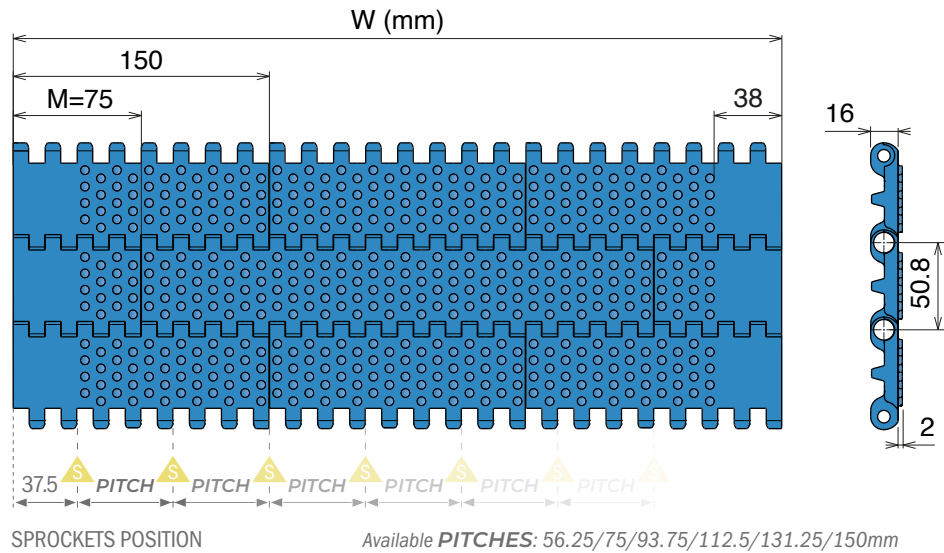
Backflex radius min.: 50 mm | Pin diameter: 7 mm

 pg. 44	A Accessories pg. 33	 pg. 269>286
---	-----------------------------------	--



Metric Size

Width* (mm)
0075
0150
0225
0300
0375
0450
0525
0600
0675
0750
0825
0900
0975
1050
1125
1200
1275
1350



PE - Polyethylene

BELT COLORS AVAILABLE	
RAL 5005	Cyan
White	Natural

PINS AVAILABLE	
PBT Pin	PA6 Pin
Max w. load: 10000 N/m	Max w. load: 10000 N/m
Weight: 10.4 kg/m ²	Weight: 10.4 kg/m ²
Temp. range: -40+65 °C	Temp. range: -40+65 °C

PE Pin	PP Pin
Max w. load: 10000 N/m	Max w. load: 10000 N/m
Weight: 10.4 kg/m ²	Weight: 10.4 kg/m ²
Temp. range: -70+65 °C	Temp. range: 0+65 °C

POM - Acetal resin

BELT COLORS AVAILABLE	
RAL 5005	Cyan
White	

PINS AVAILABLE	
PBT Pin	PA6 Pin
Max w. load: 35000 N/m	Max w. load: 30000 N/m
Weight: 14.6 kg/m ²	Weight: 14.6 kg/m ²
Temp. range: -40+80 °C	Temp. range: -40+93 °C

PE Pin	PP Pin
Max w. load: 18000 N/m	Max w. load: 16000 N/m
Weight: 14.6 kg/m ²	Weight: 14.6 kg/m ²
Temp. range: -40+65 °C	Temp. range: +5+93 °C

PP - Polypropylene

BELT COLORS AVAILABLE	
RAL 5005	Cyan
White	

PINS AVAILABLE	
PBT Pin	PA6 Pin
Max w. load: 26000 N/m	Max w. load: 22000 N/m
Weight: 10.0 kg/m ²	Weight: 10.0 kg/m ²
Temp. range: 0+100 °C	Temp. range: 0+80 °C

PE Pin	PP Pin
Max w. load: 13500 N/m	Max w. load: 14500 N/m
Weight: 10.0 kg/m ²	Weight: 10.0 kg/m ²
Temp. range: 0+65 °C	Temp. range: 0+100 °C

*Belts wider than standard are available with 75 mm increments.

The nominal tensile strength and the nominal width tolerance are valid for a temperature of 23°C (73 °F).

The actual width of the belt typically falls below the nominal value by 0.1% to 0.3%.
 For PE belts up to 750 mm (30") in width, the reduction ranges from -3 mm to 0 mm, and for widths beyond that, from 0.4% to 0%.
 For POM belts up to 750 mm (30") in width, the shrinkage ranges from -3 mm to 0 mm, and for those wider, from -0.4% to -0%.
 For PP belts up to 750 mm (30") in width, the decrease is between -3 mm and 0 mm, with the reduction for wider belts ranging from -0.4% to 0%.

Non-Standard belt widths are incremented by 18.75 mm (0.74"). The minimum width is 37.5 mm (1.5").
 Non-bricklaid belts are available in widths of 75 mm (3"), 150 mm (6"), 300 (12") and 600 mm (24").



Self-Cleaning hinge system
 Unique design cleans the space between modules during rotation.

7010 PT

Tappeti modulari / Modular belts / Mattenketten

Belts wider than standard are available with 75 mm increments (standard) or 18.75 inch increments (special)

7010 PT Perforated Top Tappeto Modulare 7010 PT, H=16 M=75 Modular Belt Series 7010 PT, H=16 M=75 / Modulare Mattenkette 7010 PT, H=16 M=75

Backflex radius min.: 50 mm | Pin diameter: 7 mm



pg. 44

A
Accessories

pg. 33



pg. 269-286

15.0%
OPEN SURFACE

50.8mm
PITCH

Metric Size



Width* (mm)

0075

0150

0225

0300

0375

0450

0525

0600

0675

0750

0825

0900

0975

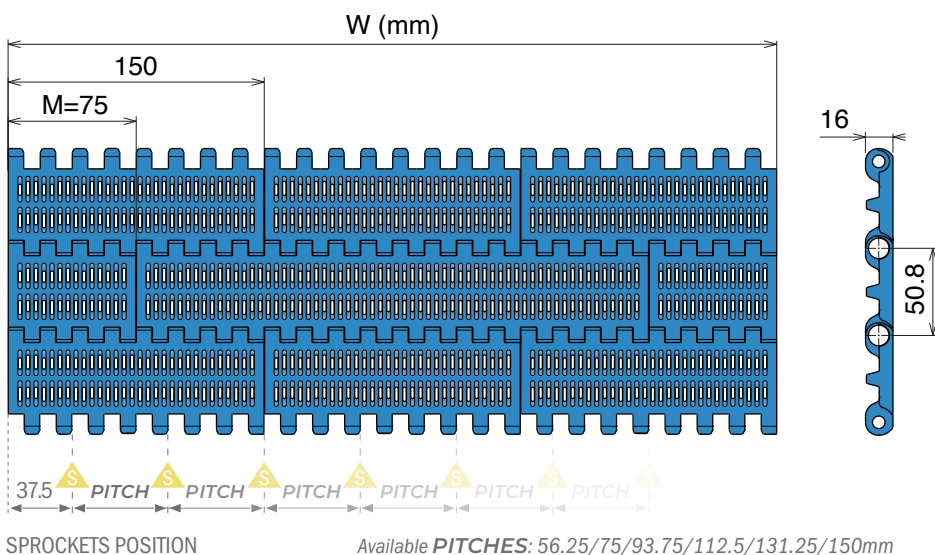
1050

1125

1200

1275

1350



PE - Polyethylene

BELT COLORS AVAILABLE	
RAL 5005	Cyan
White	Natural
PINS AVAILABLE	
PBT Pin	PA6 Pin
Max w. load: 10000 N/m	Max w. load: 10000 N/m
Weight: 8.4 kg/m ²	Weight: 8.4 kg/m ²
Temp. range: -40+65 °C	Temp. range: -40+65 °C
PE Pin	PP Pin
Max w. load: 10000 N/m	Max w. load: 10000 N/m
Weight: 8.4 kg/m ²	Weight: 8.4 kg/m ²
Temp. range: -70+65 °C	Temp. range: 0+65 °C

POM - Acetal resin

BELT COLORS AVAILABLE	
RAL 5005	Cyan
White	
PINS AVAILABLE	
PBT Pin	PA6 Pin
Max w. load: 35000 N/m	Max w. load: 30000 N/m
Weight: 11.8 kg/m ²	Weight: 11.8 kg/m ²
Temp. range: -40+80 °C	Temp. range: -40+93 °C
PE Pin	PP Pin
Max w. load: 18000 N/m	Max w. load: 16000 N/m
Weight: 11.8 kg/m ²	Weight: 11.8 kg/m ²
Temp. range: -40+65 °C	Temp. range: +5+93 °C

PP - Polypropylene

BELT COLORS AVAILABLE	
RAL 5005	Cyan
White	
PINS AVAILABLE	
PBT Pin	PA6 Pin
Max w. load: 26000 N/m	Max w. load: 22000 N/m
Weight: 8.0 kg/m ²	Weight: 8.0 kg/m ²
Temp. range: 0+100 °C	Temp. range: 0+80 °C
PE Pin	PP Pin
Max w. load: 13500 N/m	Max w. load: 14500 N/m
Weight: 8.0 kg/m ²	Weight: 8.0 kg/m ²
Temp. range: 0+65 °C	Temp. range: 0+100 °C

*Belts wider than standard are available with 75 mm increments.

The nominal tensile strength and the nominal width tolerance are valid for a temperature of 23°C (73 °F).

The actual width of the belt typically falls below the nominal value by 0.1% to 0.3%.

For PE belts up to 750 mm (30") in width, the reduction ranges from -3 mm to 1 mm, and for widths beyond that, from -0.3% to 0.3%.

For POM belts up to 750 mm (30") in width, the shrinkage ranges from -3 mm to 0 mm, and for those wider, from -0.4% to 0%.

For PP belts up to 750 mm (30") in width, the decrease is between -2 mm and 1 mm, with the reduction for wider belts ranging from -0.3% to 0.1%.

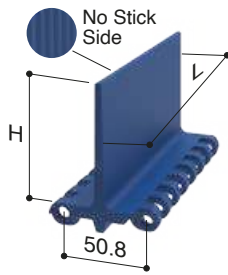
Non-Standard belt widths are incremented by 18.75 mm (0.74"). The minimum width is 37.5 mm (1.5").

Non-bricklaid belts are available in widths of 75 mm (3"), 150 mm (6"), 300 (12") and 600 mm (24").

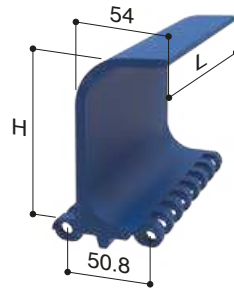


Accessories for 7010 Series - Configuration

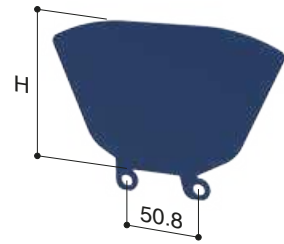
Straight flight



Curved flight



Sidewall



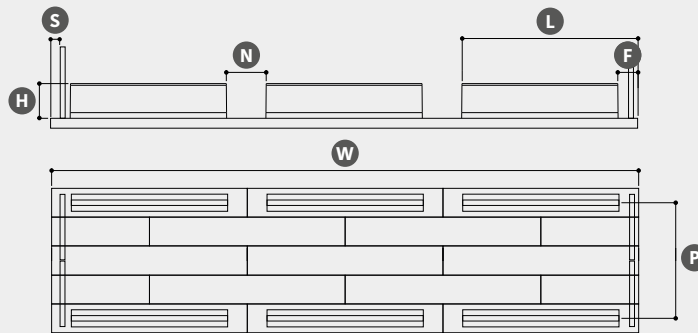
Metric Size

Straight flight modules are available with one smooth side and one side "no-stick" developed to improve handling of wet or sticky food products.

Sidewall modules include both sides, left and right.

Technical configuration

Dimensions expressed in millimeter



All Accessories have open hinge design.

Belt surface	Flat Top (FT)				Cone Top (CT)				Nub Top (NT)				Perforated Top (PT)											
Belt Material & Color	PE - Polyethylene								POM - Acetal resin								PP - Polypropylene							
	RAL 5005				Cyan				RAL 5005				Cyan				RAL 5005				Cyan			
	White				Natural				White								White							
Pin Material	PBT	PA6	PE	PP	PBT	PA6	PE	PP	PBT	PA6	PE	PP	PBT	PA6	PE	PP								
W Width	Standard (75 multiple)				Special (18,75 multiple)				Requested quantity				Length (meters)											
H Accessories height	Straight flight								Curved flight				Sidewall											
	25	50	75	100	150	75	100	150	50	75	100													
P Pitch	Number of pitches or distance between accesories (50,8 mm multiple)																							
F Flight Side Indent	Straight or curved flight only								Straight or curved flight + Sidewalls															
	0	37,5	56	75	112	131	37,5	56	75	112	131													
S Sidewall Side Indent	-	-	-	-	-	-	18	37	56	93	112													
Notch*	No				Single				Double				Triple											
	N Notch width (37,5 mm multiple)								L Notch distance (2 or more)															

For some combinations the nominal tensile strength of the belt will be reduced due to the accessoris. For different combinations, please ask to your sales representative.

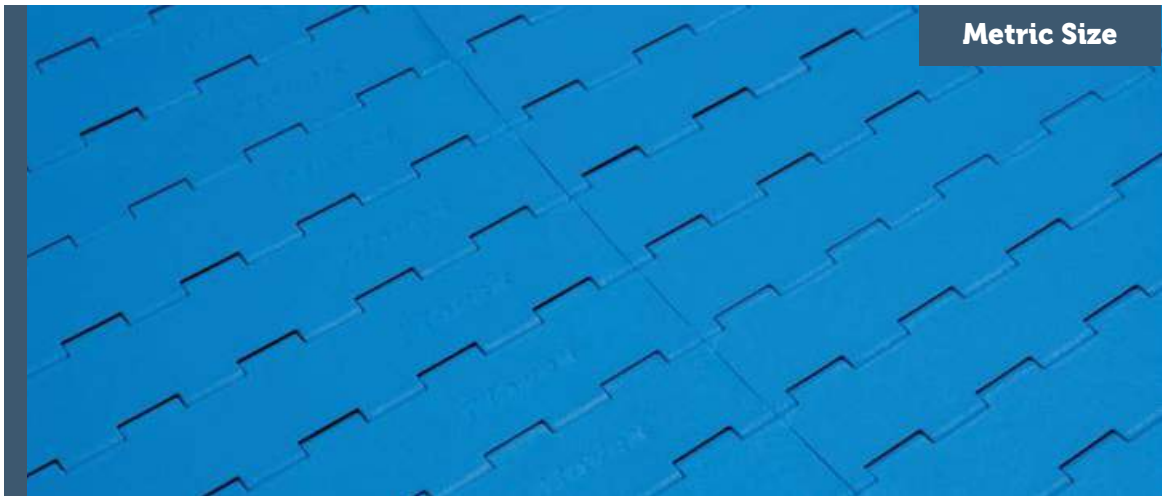
ZERO CONTACT

ZER⁵²⁰CONTACT

SIDE FLEX MODULAR BELT

H= 10.1 mm

Metric Size



ZERO CONTACT
ZERO CONTACT PRO



Movex[®]

ZERO CONTACT

Tappeto Modulare Curvilineo Zero Contact™, H=10,1 M=200

Side Flex Modular Belt Zero Contact™, H=10,1 M=200 / Kurvengängige Mattenkette Zero Contact™, H=10,1 M=200

Pin diameter: 4.7 mm

	Zero contact Curve	
pg. 45	pg. 48>55	pg. 269>286

SAMPLE BOX

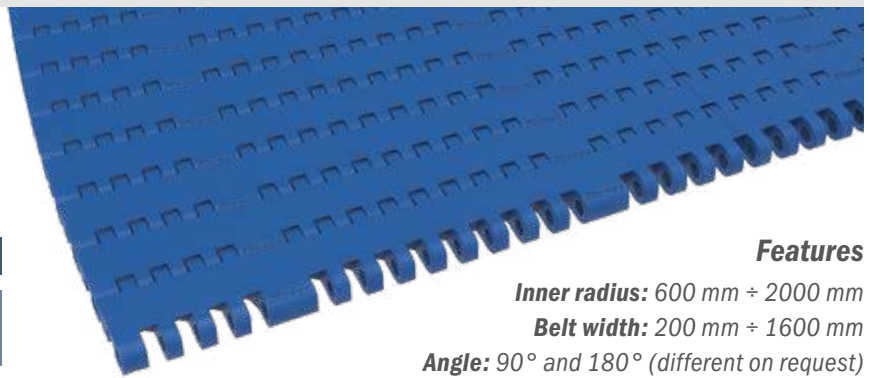
Art.-Nr. **599999925A**

Material

LFB - Code 23
Low friction Acetal

LFA - Code 01
Low friction Acetal

Max w. load: 13500 N/m	Max w. load: 13500 N/m
Weight: 9,25 kg/m ²	Weight: 9,25 kg/m ²
Temp. range dry: -40+80 °C	Temp. range dry: -40+80 °C
Temp. range wet: -40+65 °C	Temp. range wet: -40+65 °C
Pin material: PBT white	Pin material: PBT white



Features

Inner radius: 600 mm ÷ 2000 mm

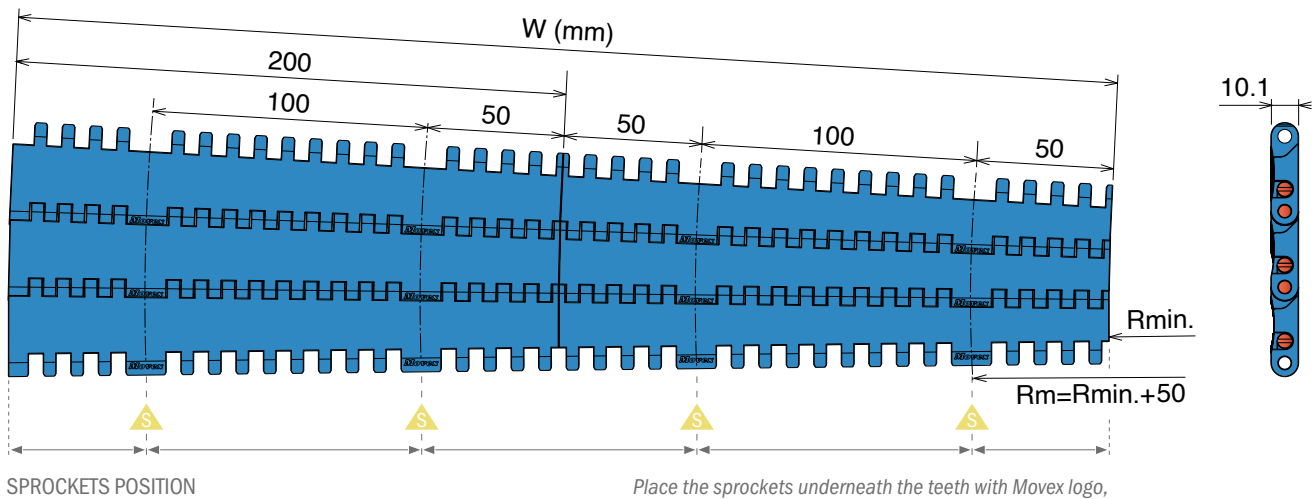
Belt width: 200 mm ÷ 1600 mm

Angle: 90° and 180° (different on request)

Row to row angle: 1,33°

Pin material: Ø4,7 mm, PBT White

Open Area: 0%



Movex® Zero Contact™ modular fixed radius curve belt is the best choice for all type of transportation, for beverage, food and logistic industries, thanks to its versatility.

It offers high performances, reducing the coefficient of friction between product and running belt surface and improves the efficiency of the line, by minimizing downtimes.

A wide range of radii and widths helps finding the right solution for every product dimension and transportation condition, from light packages to heavier ones.

Installation and maintenance have never been so easy, so far.



The belt is compliant to: • Regulation: D.P.R. 777 - 23 August 1982 e D.L. 108 - 25 January 1992; • UNI EN 1186 1+15:2003

• D.M. 34 del 21.3.73 S.O. GU n° 104 - 20/04/73 and following updates • Regulation (EU) n. 10/2011, GUUE L 12 del 15/01/2011 and following updates. • Regulations (CE) n. 1935/2004 GUCE L 338 del 13/11/04 and n. 1895/2005 GUCE L 302 - 19/11/2005.



Low friction



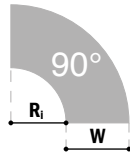
Minimized maintenance



Easy pin removal

ZERO CONTACT

SIDE FLEX MODULAR BELT



Side Flex Modular Belt Zero Contact™ 90° | Length of the belt 150 Modules

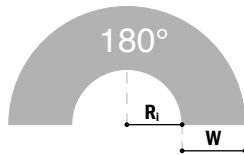
Belt Width	R, 600	R, 800	R, 1000	R, 1200	R, 1400	R, 1600	R, 1800	R, 2000	Material
200	5451230201A	5451230202A	5451230203A	5451230204A	5451230205A	5451230206A	5451230207A	5451230208A	LFB
400	5451230401A	5451230402A	5451230403A	5451230404A	5451230405A	5451230406A	5451230407A	-	
600	5451230601A	5451230602A	5451230603A	5451230604A	5451230605A	5451230606A	-	-	
800	5451230801A	5451230802A	5451230803A	5451230804A	5451230805A	-	-	-	
1000	5451231001A	5451231002A	5451231003A	5451231004A	-	-	-	-	
1200	5451231201A	5451231202A	5451231203A	-	-	-	-	-	
1400	5451231401A	5451231402A	-	-	-	-	-	-	
1600	5451231601A	-	-	-	-	-	-	-	

Side Flex Modular Belt Zero Contact™ 90° | Length of the belt 150 Modules

Belt Width	R, 600	R, 800	R, 1000	R, 1200	R, 1400	R, 1600	R, 1800	R, 2000	Material
200	5451010201A	5451010202A	5451010203A	5451010204A	5451010205A	5451010206A	5451010207A	5451010208A	LFA
400	5451010401A	5451010402A	5451010403A	5451010404A	5451010405A	5451010406A	5451010407A	-	
600	5451010601A	5451010602A	5451010603A	5451010604A	5451010605A	5451010606A	-	-	
800	5451010801A	5451010802A	5451010803A	5451010804A	5451010805A	-	-	-	
1000	5451011001A	5451011002A	5451011003A	5451011004A	-	-	-	-	
1200	5451011201A	5451011202A	5451011203A	-	-	-	-	-	
1400	5451011401A	5451011402A	-	-	-	-	-	-	
1600	5451011601A	-	-	-	-	-	-	-	

ZERO CONTACT

SIDE FLEX MODULAR BELT



Side Flex Modular Belt Zero Contact™ 180° | Length of the belt 285 Modules

Belt Width	R, 600	R, 800	R, 1000	R, 1200	R, 1400	R, 1600	R, 1800	R, 2000	Material
200	5452230201A	5452230202A	5452230203A	5452230204A	5452230205A	5452230206A	5452230207A	5452230208A	LFB
400	5452230401A	5452230402A	5452230403A	5452230404A	5452230405A	5452230406A	5452230407A	-	
600	5452230601A	5452230602A	5452230603A	5452230604A	5452230605A	5452230606A	-	-	
800	5452230801A	5452230802A	5452230803A	5452230804A	5452230805A	-	-	-	
1000	5452231001A	5452231002A	5452231003A	5452231004A	-	-	-	-	
1200	5452231201A	5452231202A	5452231203A	-	-	-	-	-	
1400	5452231401A	5452231402A	-	-	-	-	-	-	
1600	5452231601A	-	-	-	-	-	-	-	

Side Flex Modular Belt Zero Contact™ 180° | Length of the belt 285 Modules

Belt Width	R, 600	R, 800	R, 1000	R, 1200	R, 1400	R, 1600	R, 1800	R, 2000	Material
200	5452010201A	5452010202A	5452010203A	5452010204A	5452010205A	5452010206A	5452010207A	5452010208A	LFA
400	5452010401A	5452010402A	5452010403A	5452010404A	5452010405A	5452010406A	5452010407A	-	
600	5452010601A	5452010602A	5452010603A	5452010604A	5452010605A	5452010606A	-	-	
800	5452010801A	5452010802A	5452010803A	5452010804A	5452010805A	-	-	-	
1000	5452011001A	5452011002A	5452011003A	5452011004A	-	-	-	-	
1200	5452011201A	5452011202A	5452011203A	-	-	-	-	-	
1400	5452011401A	5452011402A	-	-	-	-	-	-	
1600	5452011601A	-	-	-	-	-	-	-	

ZERO CONTACT PRO

Tappeto Modulare Curvilineo Zero Contact PRO, H=9

Side Flex Modular Belt Zero Contact PRO, H=9 / Kurvengängige Mattenkette Zero Contact PRO, H=9

Pin diameter: 4 mm

	Zero contact Pro Curve	
pg. 45	pg. 56>59	pg. 269>286

The sprocket positioning for this belt series is detailed in the Movex engineering manual

SAMPLE BOX

Art.-Nr. **5999999925A**

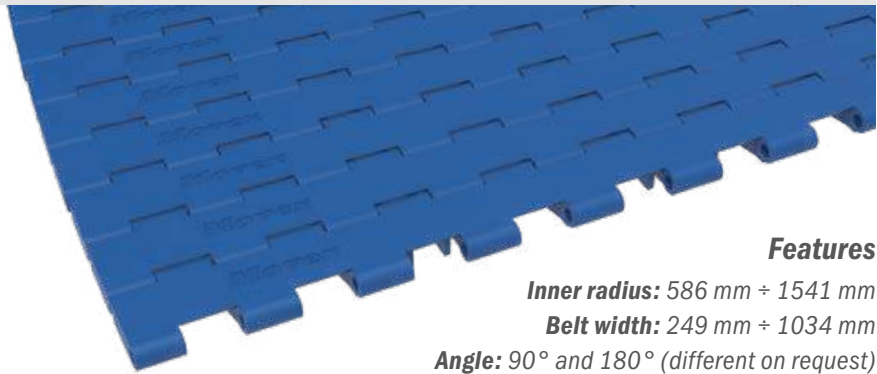
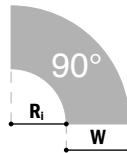
Material

PA - Code 28

Glass fiber reinforced

Max w. load: 19000 N/m
 Weight: 9,25 kg/m²
 Temp. range dry: -30÷100 °C
 Temp. range wet: N.R.
 Pin: Stainless steel

ZERO CONTACT PRO
 SIDE FLEX MODULAR BELT



Features

Inner radius: 586 mm ÷ 1541 mm

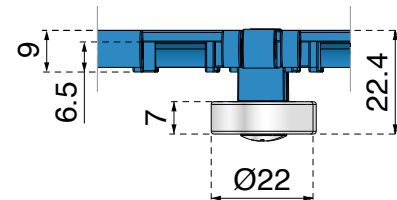
Belt width: 249 mm ÷ 1034 mm

Angle: 90° and 180° (different on request)

Row to row angle: 1°

Pin: Ø4 mm, material 1.4301

Open Area: 0%



Side Flex Modular Belt Zero Contact PRO™ 90° | Without bearings | Length of the belt 200 modules

Order code	R _i - mm	W - mm	Order code	R _i - mm	W - mm	Order code	R _i - mm	W - mm
5461280439A-M	586	439	5462281034A-M	756	1034	5464280504A-M	1116	504
5461280524A-M	586	524	5463280269A-M	1011	269	5465280419A-M	1201	419
5461280864A-M	586	864	5463280439A-M	1011	439	5466280249A-M	1286	249
5461281034A-M	586	1034	5463280524A-M	1011	524	5465280504A-M	1286	504
5462280269A-M	756	269	5463280864A-M	1011	864	5466280419A-M	1456	419
5462280439A-M	756	439	5463281034A-M	1011	1034	5466280504A-M	1541	504
5462280524A-M	756	524	5465280249A-M	1031	249			
5462280864A-M	756	864	5464280419A-M	1031	419			

Side Flex Modular Belt Zero Contact PRO™ 90° | With bearings | Length of the belt 200 modules

Order code	R _i - mm	W - mm	Order code	R _i - mm	W - mm
5462280249A-M	1031	249	5463280249A-M	1286	249
5461280419A-M	1031	419	5462280504A-M	1286	504
5461280504A-M	1116	504	5463280419A-M	1456	419
5462280419A-M	1201	419	5463280504A-M	1541	504



Side Flex Modular Belt Zero Contact PRO™ 90° | Two track combinations | Length of the belts 200 modules

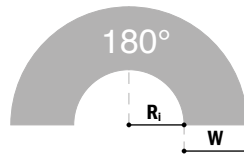
Track 1 - Order code	R _i - mm	W - mm		Track 2 - Order code	R _i - mm	W - mm	Total width
5462280269A-M	756	269	+	5462280249A-M	1031	249	= 524
5463280269A-M	1011	269	+	5463280249A-M	1286	249	= 524
5461280439A-M	586	439	+	5461280419A-M	1031	419	= 864
5462280439A-M	756	439	+	5462280419A-M	1201	419	= 864
5463280439A-M	1011	439	+	5463280419A-M	1456	419	= 864
5461280524A-M	586	524	+	5461280504A-M	1116	504	= 1034
5462280524A-M	756	524	+	5462280504A-M	1286	504	= 1034
5463280524A-M	1011	524	+	5463280504A-M	1541	504	= 1034

The gap between the belts is 6 mm. | Track 1 belt is supplied without bearings. | Track 2 belt is supplied with bearings.

ZERO CONTACT PRO

Tappeti modulari / Modular belts / Mattenketten

ZERO CONTACT
SIDE FLEX MODULAR BELT



Side Flex Modular Belt Zero Contact PRO™ 180° | Without bearings | Length of the belt 380 modules

Order code	R ₁ - mm	W - mm	Order code	R ₁ - mm	W - mm	Order code	R ₁ - mm	W - mm
5461280439B-M	586	439	5462281034B-M	756	1034	5464280504B-M	1116	504
5461280524B-M	586	524	5463280269B-M	1011	269	5465280419B-M	1201	419
5461280864B-M	586	864	5463280439B-M	1011	439	5466280249B-M	1286	249
5461281034B-M	586	1034	5463280524B-M	1011	524	5465280504B-M	1286	504
5462280269B-M	756	269	5463280864B-M	1011	864	5466280419B-M	1456	419
5462280439B-M	756	439	5463281034B-M	1011	1034	5466280504B-M	1541	504
5462280524B-M	756	524	5465280249B-M	1031	249			
5462280864B-M	756	864	5464280419B-M	1031	419			

Side Flex Modular Belt Zero Contact PRO™ 180° | With bearings | Length of the belt 380 modules

Order code	R ₁ - mm	W - mm	Order code	R ₁ - mm	W - mm
5462280249B-M	1031	249	5463280249B-M	1286	249
5461280419B-M	1031	419	5462280504B-M	1286	504
5461280504B-M	1116	504	5463280419B-M	1456	419
5462280419B-M	1201	419	5463280504B-M	1541	504



Side Flex Modular Belt Zero Contact PRO™ 180° | Two track combinations | Length of the belts 380 modules

Track 1 - Order code	R ₁ - mm	W - mm		Track 2 - Order code	R ₁ - mm	W - mm	Total width
5462280269B-M	756	269	+	5462280249B-M	1031	249	= 524
5463280269B-M	1011	269	+	5463280249B-M	1286	249	= 524
5461280439B-M	586	439	+	5461280419B-M	1031	419	= 864
5462280439B-M	756	439	+	5462280419B-M	1201	419	= 864
5463280439B-M	1011	439	+	5463280419B-M	1456	419	= 864
5461280524B-M	586	524	+	5461280504B-M	1116	504	= 1034
5462280524B-M	756	524	+	5462280504B-M	1286	504	= 1034
5463280524B-M	1011	524	+	5463280504B-M	1541	504	= 1034

The gap between the belts is 6 mm. | Track 1 belt is supplied without bearings. | Track 2 belt is supplied with bearings.

The innovative design of **Movex® Zero Contact™ PRO** is recommended for high speed, heavy loads and transportation of abrasive substances, like sand, salt, sugar, and many other applications.

The stainless steel pins guarantee a higher working load and due to the new pin retention with grub screw, the assembly of this belt is 100% secure.

The robust structure of **Zero Contact™ PRO** can be summarized in minimal maintenance, long life expectation and high reliability.

Zero Contact™ PRO is a versatile belt, allowing a wider range of available widths and radii. Find out also our “two-tracks” version.



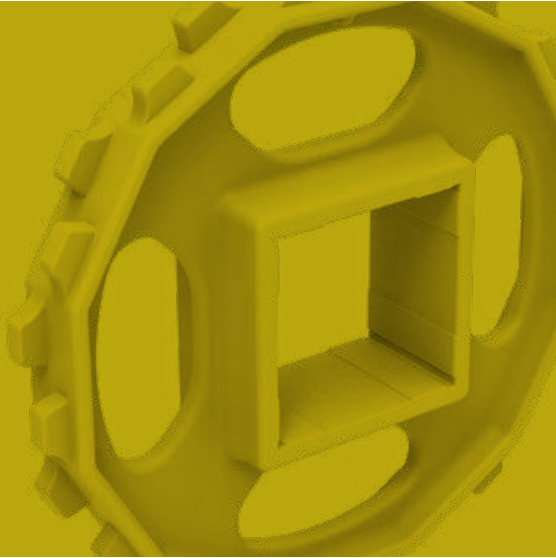
Extreme speed















Heavy duty



High abrasion resistance



Belt sprockets

7870  Pag 40	7870  Pag 40	590  Pag 41	590  Pag 41	7510-7520  Pag 42	7510-7520  Pag 42
7510-7520  Pag 43	7510-7520  Pag 43	7010  Pag 44	7010  Pag 44	ZERO CONTACT  Pag 45	ZERO CONTACT PRO  Pag 45

This catalog contains only a limited selection of all the products available at Movex S.p.A.
For a complete overview, please visit our website or contact your sales representative.

Material Info:



pg. 287 > 288

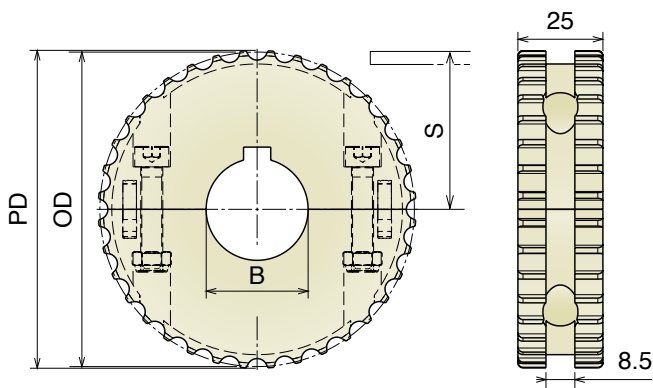
Materiale / Material / Materialien:

Poliammide/Polyamide/Polyamid Viti: Acciaio inox/Screws: Stainless steel/Schrauben: Edelstahl Dadi: ferro zincato/Nuts: zinc plated steel/Mutter: verzinkter Stahl Resina acetalica/Acetal resin/Azetal

7870 Ruota traino divisa, fresata Split drive sprocket, machined / geteiltes Antriebskettenrad, gefräst

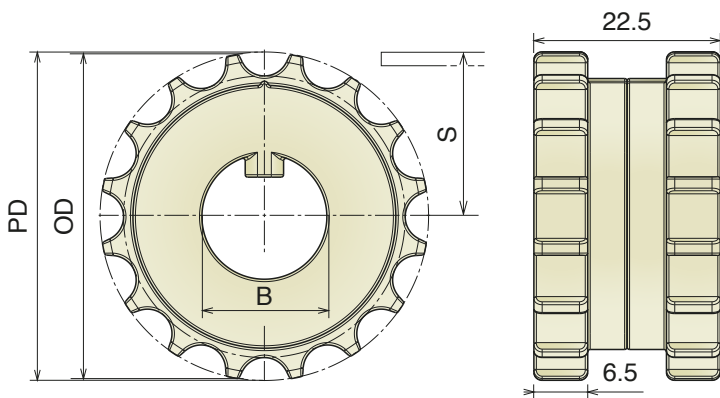
Article-Nr.	Z-	Bore	PD	OD	S
PA Natural					
159936E	16**	20	40,5	40,2	17,25
160101E	18**	25	46,5	47,3	20,2
160111E		20*20	□		
159896E	20**	25	51,5	51,5	22,3
160201E	24**	25	61,8	62,6	27,9
160206E		25*25	□		
160301	36	25	92,6	93,5	43,3
160302		30			
160303		35			
160304		40			
160306		25*25	□		
160307		30*30	□		
160308		40*40	□		

**Drive sprockets z-16, z-18, z-20 and z-24 are supplied non-split



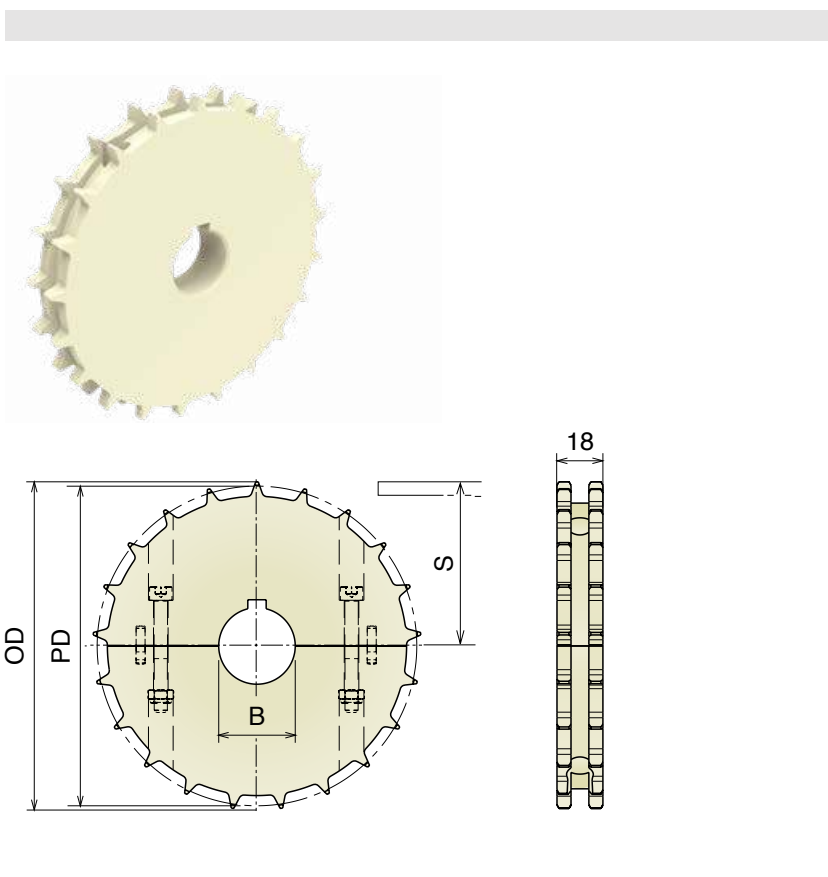
Ruota traino, stampata Drive sprocket, molded / Antriebskettenrad, gespritzt

Article-Nr.	Z-	Bore	PD	OD	S
POM Natural					
159780	16	15	40,5	40,2	17,25



590 Ruota traino divisa, fresata

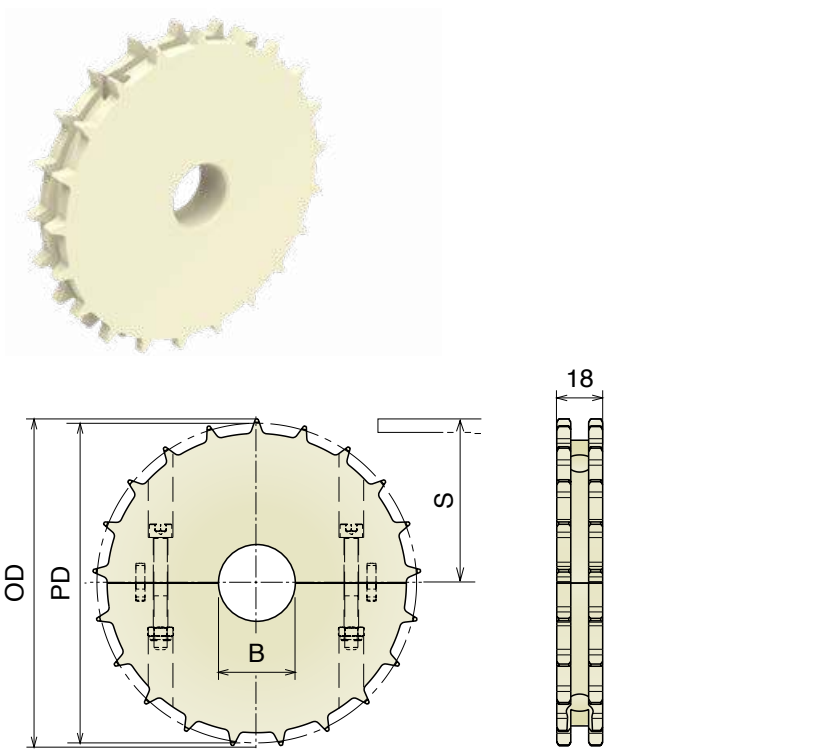
Split drive sprocket, machined / geteiltes Antriebskettenrad, gefräst



Article-Nr.	Z-	Bore	PD	OD	S
PA Natural					
151101	17	25	100,7	103,4	46,0
151102		30			
151103		35			
151104		40			
151106		25* 25	□		
151107		30* 30	□		
151108		40* 40	□		
151201	21	25	126,0	128,7	58,65
151202		30			
151203		35			
151204		40			
151206		25* 25	□		
151207		30* 30	□		
151208		40* 40	□		
151301	24	25	142,9	145,6	67,1
151302		30			
151303		35			
151304		40			
151306		25* 25	□		
151307		30* 30	□		
151308		40* 40	□		
151401	25	25	149,0	151,7	70,15
151402		30			
151403		35			
151404		40			
151406		25* 25	□		
151407		30* 30	□		
151408		40* 40	□		

Ruota rinvio divisa, fresata

Split idler sprocket, machined / geteiltes Umlenrad, gefräst



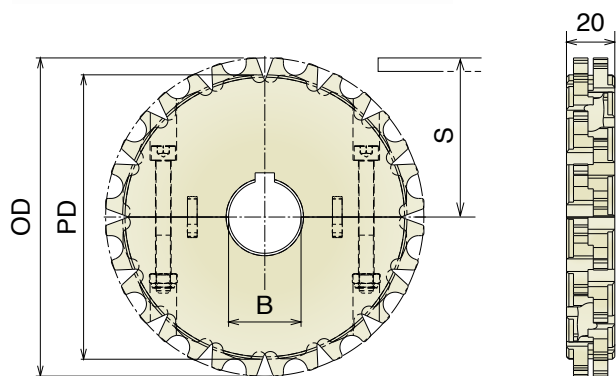
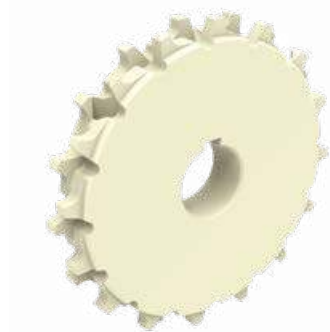
Article-Nr.	Z-	Bore	PD	OD	S
PA Natural					
151150	17	18*	100,7	103,4	46,0
151151		25			
151152		30			
151153		35			
151154		40			
151250	21	18*	126,0	128,7	58,65
151251		25			
151252		30			
151253		35			
151254		40			
151350	24	18*	142,9	145,6	67,1
151351		25			
151352		30			
151353		35			
151354		40			
151450	25	18*	149,0	151,7	70,15
151451		25			
151452		30			
151453		35			
151454		40			

*Plain Bore

7510-7520

Ruota traino divisa, fresata

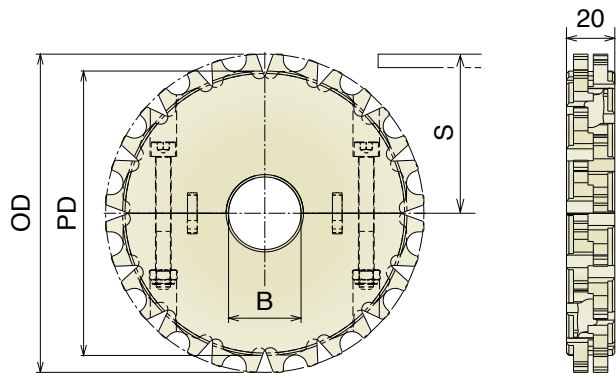
Split drive sprocket, machined / geteiltes Antriebskettenrad, gefräst



Article-Nr.	Z-	Bore	PD	OD	S
PA Natural					
242302	12	30	98,1	99,7	43,5
242402	15	30	122,2	124,2	56
242404		40	122,2	124,2	56
242408		40*40	122,2	124,2	56
242502	16	30	130,2	132,4	60
242504		40	130,2	132,4	60
242508		40*40	130,2	132,4	60
242510		60*60	130,2	132,4	60
242602	18	30	146,3	148,6	68
242604		40	146,3	148,6	68
242608		40*40	146,3	148,6	68
242610		60*60	146,3	148,6	68
242702	20	30	162,4	165	76
242704		40	162,4	165	76
242708		40*40	162,4	165	76
242710		60*60	162,4	165	76

Ruota rinvio divisa, fresata

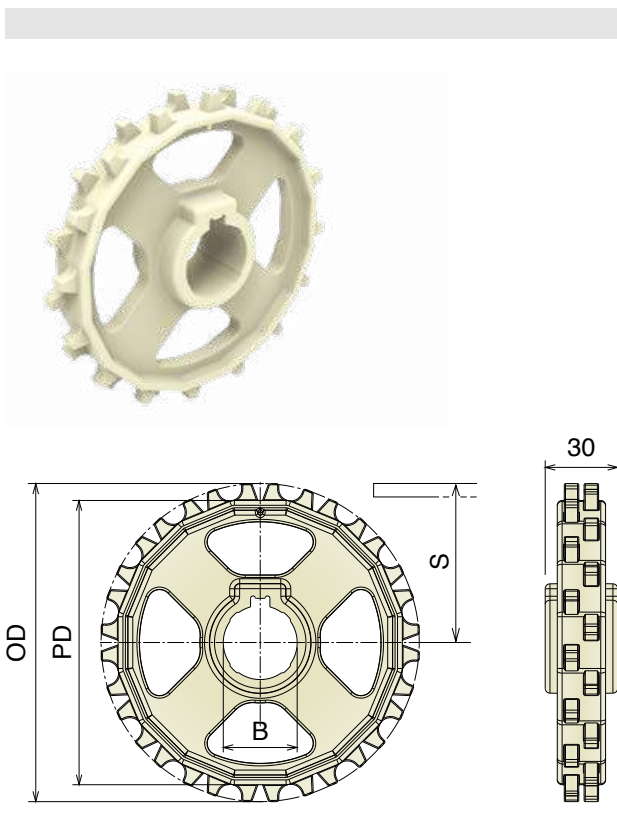
Split idler sprocket, machined / geteiltes Umlenrad, gefräst



Article-Nr.	Z-	Bore	PD	OD	S
PA Natural					
242352	12	30	98,1	99,7	43,5
242452	15	30	122,2	124,2	56
242454		40	122,2	124,2	56
242552	16	30	130,2	132,4	60
242554		40	130,2	132,4	60
242652	18	30	146,3	148,6	68
242654		40	146,3	148,6	68
242752	20	30	162,4	165	76
242754		40	162,4	165	76

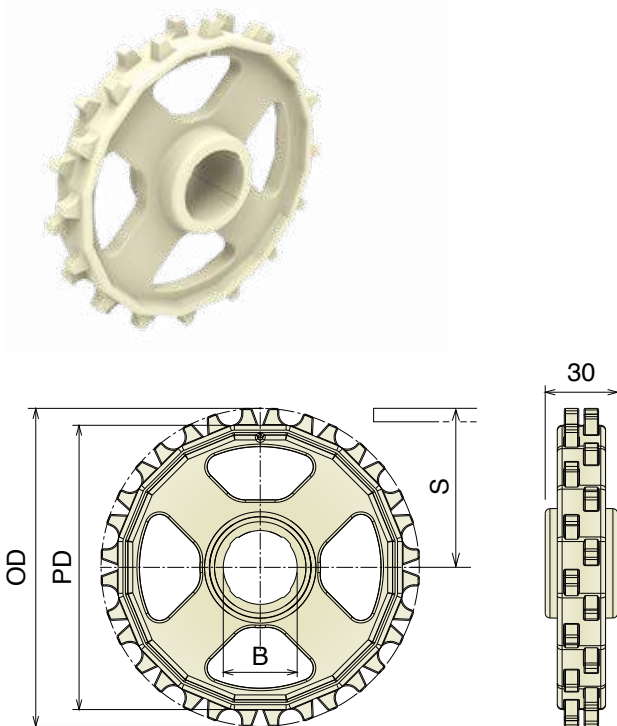
7510-7520

Ruota traino, stampata
Drive sprocket, molded / Antriebskettenrad, gespritzt



Article-Nr.		Z-	Bore	PD	OD	S
POM Natural	PA Natural					
240006	240006PA	7	25* 25	58,5	58,4	23,5
240102	240102PA	8	30	66,4	67,8	28,2
240106	240106PA		25* 25	66,4	67,8	28,2
240202	240202PA	10	30	82,2	83,3	35,6
240204	240204PA		40	82,2	83,3	35,6
240208	240208PA		40* 40	82,2	83,3	35,6
240301	240301PA	12	25	98,1	99,7	43,5
240302	240302PA		30	98,1	99,7	43,5
240304	240304PA		40	98,1	99,7	43,5
240308	240308PA		40* 40	98,1	99,7	43,5
240402	240402PA	15	30	122,2	124,2	56
240404	240404PA		40	122,2	124,2	56
240408	240408PA		40* 40	122,2	124,2	56
240410	240410PA		60* 60	122,2	124,2	56
240502	240502PA	16	30	130,2	132,4	60
240504	240504PA		40	130,2	132,4	60
240508	240508PA		40* 40	130,2	132,4	60
240510	240510PA		60* 60	130,2	132,4	60
240602	240602PA	18	30	146,3	148,6	68
240604	240604PA		40	146,3	148,6	68
240608	240608PA		40* 40	146,3	148,6	68
240610	240610PA		60* 60	146,3	148,6	68
240702	240702PA	20	30	162,4	165	76
240704	240704PA		40	162,4	165	76
240708	240708PA		40* 40	162,4	165	76
240710	240710PA		60* 60	162,4	165	76

Ruota rinvio, stampata
Idler sprocket, molded / Umlenkrad, gespritzt



Article-Nr.		Z-	Bore	PD	OD	S
POM Natural	PA Natural					
240152	240152PA	8	30	66,4	67,8	28,2
240252	240252PA	10	30	82,2	83,3	35,6
240254	240254PA		40	82,2	83,3	35,6
240351	240351PA	12	25	98,1	99,7	43,5
240352	240352PA		30	98,1	99,7	43,5
240354	240354PA		40	98,1	99,7	43,5
240452	240452PA	15	30	122,2	124,2	56
240454	240454PA		40	122,2	124,2	56
240552	240552PA	16	30	130,2	132,4	60
240554	240554PA		40	130,2	132,4	60
240652	240652PA	18	30	146,3	148,6	68
240654	240654PA		40	146,3	148,6	68
240752	240752PA	20	30	162,4	165	76
240754	240754PA		40	162,4	165	76

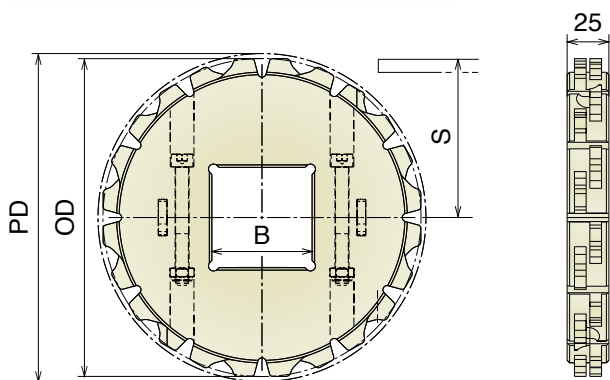
Materiale / Material / Materialien:

Resina acetica/Acetal resin/Azetal Viti: Acciaio inox/Screws: Stainless steel/Schrauben: Edelstahl
 Dadi: Acciaio inox/Nuts: Stainless steel/Mutter: Edelstahl
 Poliammide/Polyamide/Polyamid Viti: Acciaio inox/Screws: Stainless steel/Schrauben: Edelstahl
 Dadi: ferro zincato/Nuts: zinc plated steel/Mutter: verzinkter Stahl

7010 Ruota traino divisa, fresata

Split drive sprocket, machined / Antriebskettenrad, gefräst

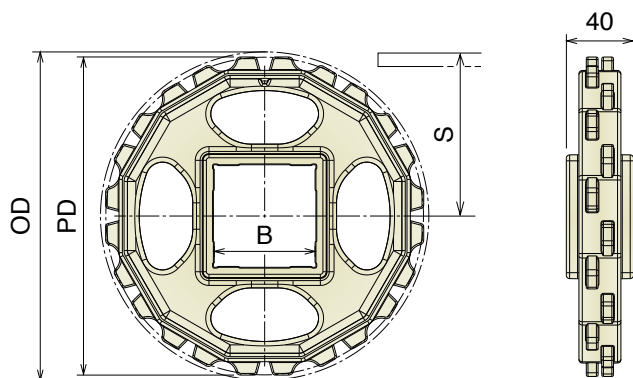
Article-Nr.	Z-	Bore		PD	OD	S
PA Natural						
243108	8	40*40	☒	132,7	126,6	57,8
243208	10	40*40	☒	164,4	159,7	74
243210		60*60	☒	164,4	159,7	74
243308	12	40*40	☒	196,3	192,4	90
243310		60*60	☒	196,3	192,4	90
243408	16	40*40	☒	260,4	257	122
243410		60*60	☒	260,4	257	122



Ruota traino, stampata

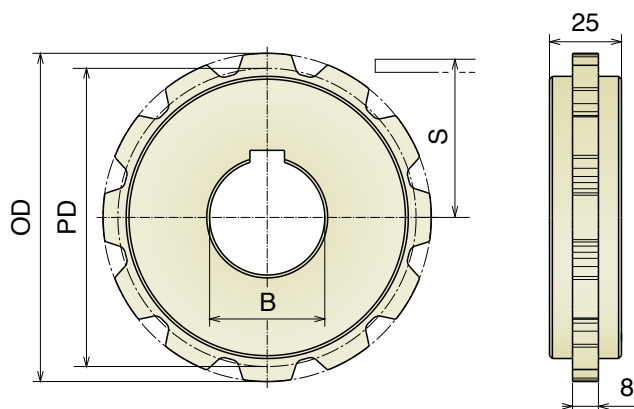
Drive sprocket, molded / Antriebskettenrad, gespritzt

Article-Nr.		Z-	Bore		PD	OD	S
POM Natural	PA Natural						
241008	241008PA	6	40*40	☒	101,6	93,2	41,5
241108	241108PA	8	40*40	☒	132,7	126,6	57,8
241110	241110PA		60*60	☒	132,7	126,6	57,8
241208	241208PA	10	40*40	☒	164,4	159,7	74
241210	241210PA		60*60	☒	164,4	159,7	74
241308	241308PA	12	40*40	☒	196,3	192,4	90
241310	241310PA		60*60	☒	196,3	192,4	90
241408	241408PA	16	40*40	☒	260,4	257	122
241410	241410PA		60*60	☒	260,4	257	122

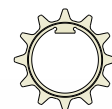
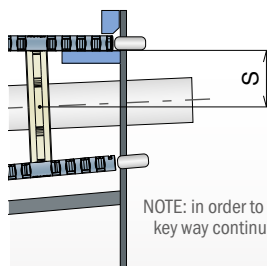


ZERO CONTACT

Ruota traino, fresata
 Drive sprocket, machined / Antriebskettenrad, gefräst



Article-Nr.	Z-	Bore	R _i +50	PD	OD	S
PA Natural						
162401	12	40	650	58,0	61,0	25,6
162402			750	66,0	69,0	29,9
162403			850	76,0	79,0	34,2
162404			950	84,0	86,0	38,5
162405			1050	94,0	97,0	42,8
162406			1150	102,0	104,0	47,1
162407			1250	112,0	114,0	51,4
162408			1350	119,0	122,0	55,7
162409			1450	130,0	132,0	60,0
162410			1550	137,0	140,0	64,3
162411			1650	145,0	148,0	68,6
162412			1750	154,0	157,0	72,9
162413			1850	163,0	166,0	77,2
162414			1950	171,0	174,0	81,5
162415			2050	180,0	183,0	85,8
162416			2150	189,0	192,0	90,1

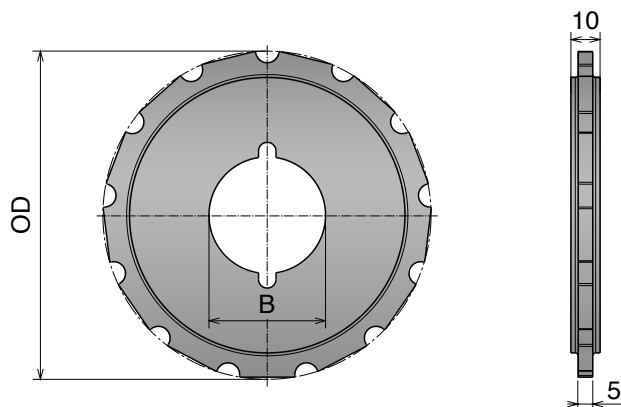


Smallest sprocket with integrated key valid only for code 162401

NOTE: in order to install the smallest sprockets a shaft key way continued to the end of the shaft is required.

ZERO CONTACT PRO

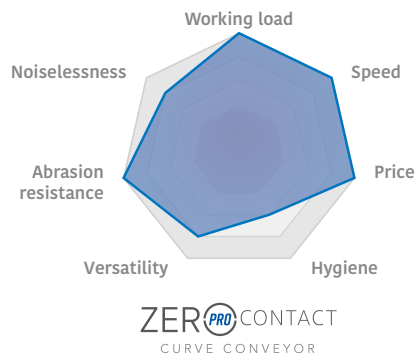
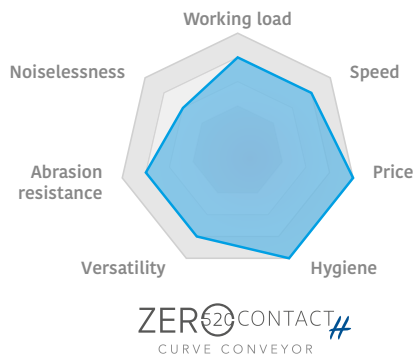
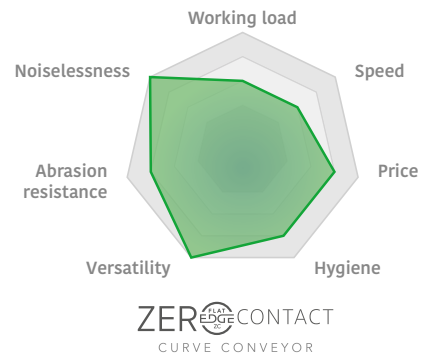
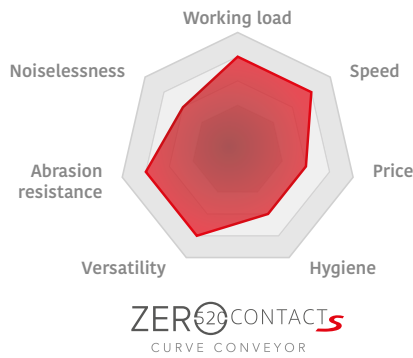
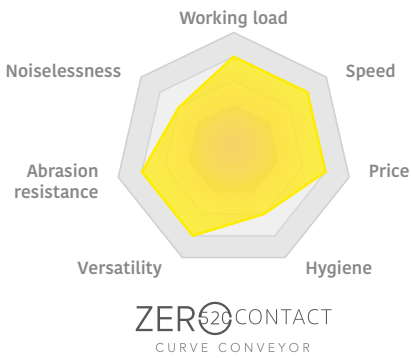
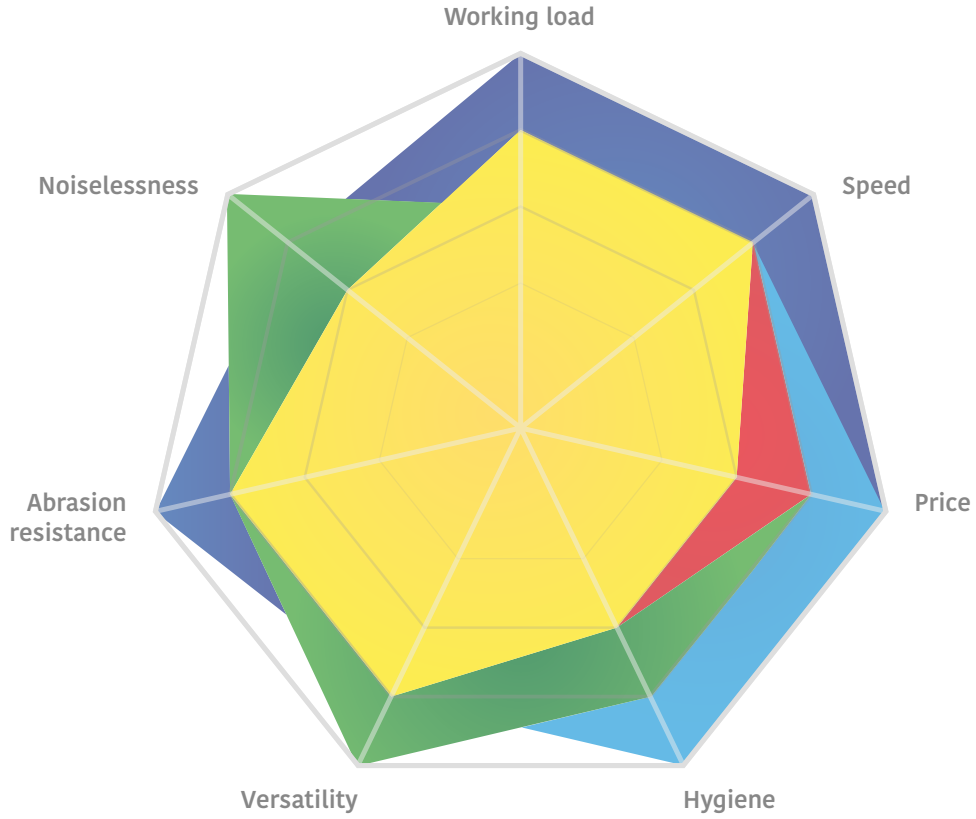
Ruota traino, fresata
 Drive sprocket, machined / Antriebskettenrad, gefräst

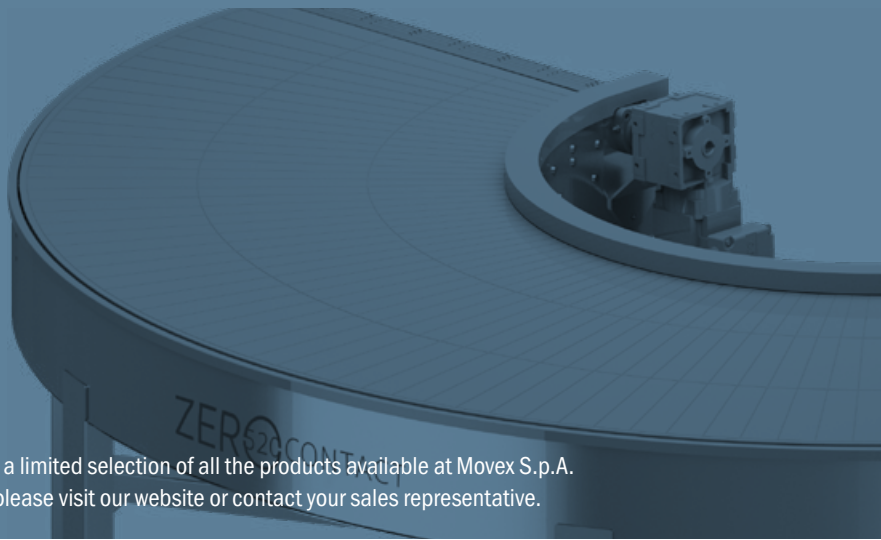


Article-Nr.	Z-	Bore	OD
PA Black			
163301	13	30	45,9
163302			52,0
163303		40	58,0
163304			64,1
163305			70,2
163306			76,2
163307			82,3
163308			88,3
163309			94,4
163310			100,5
163311			106,6
163312			112,6
163313			118,7
163314			124,7
163315			130,8
163316			136,9
163317			142,9

ZER⁵²⁰CONTACT

PRODUCT SELECTION GUIDELINE TOOL





This catalog contains only a limited selection of all the products available at Movex S.p.A.
For a complete overview, please visit our website or contact your sales representative.



ZERO CONTACT
CURVE CONVEYOR

Pag 48/49



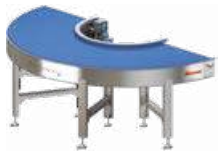
ZERO CONTACT S
CURVE CONVEYOR

Pag 50/51



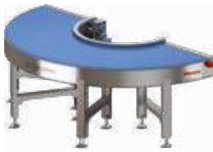
ZERO FLAT EDGE CONTACT
CURVE CONVEYOR

Pag 52/53



ZERO CONTACT #
CURVE CONVEYOR

Pag 54/55



ZERO PRO CONTACT
CURVE CONVEYOR

Pag 56/57



ZERO PRO CONTACT
CURVE CONVEYOR
TWO TRACKS VERSION

Pag 58/59

Accessories



ZERO CONTACT
FLOOR SUPPORTS AND GEARMOTORS

Pag 60/61



ZERO 51C ATP
ACTIVE TRANSFER PLATE

Pag 62/63



ZERO PRO ATP
ACTIVE TRANSFER PLATE

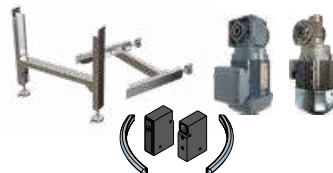
Pag 64 > 66

Accessories



553 SORTER+
MULTIDIRECTIONAL CONVEYOR

Pag 67 > 70



553 SORTER+
FOR ALL VERSIONS AVAILABLE

Pag 71/72

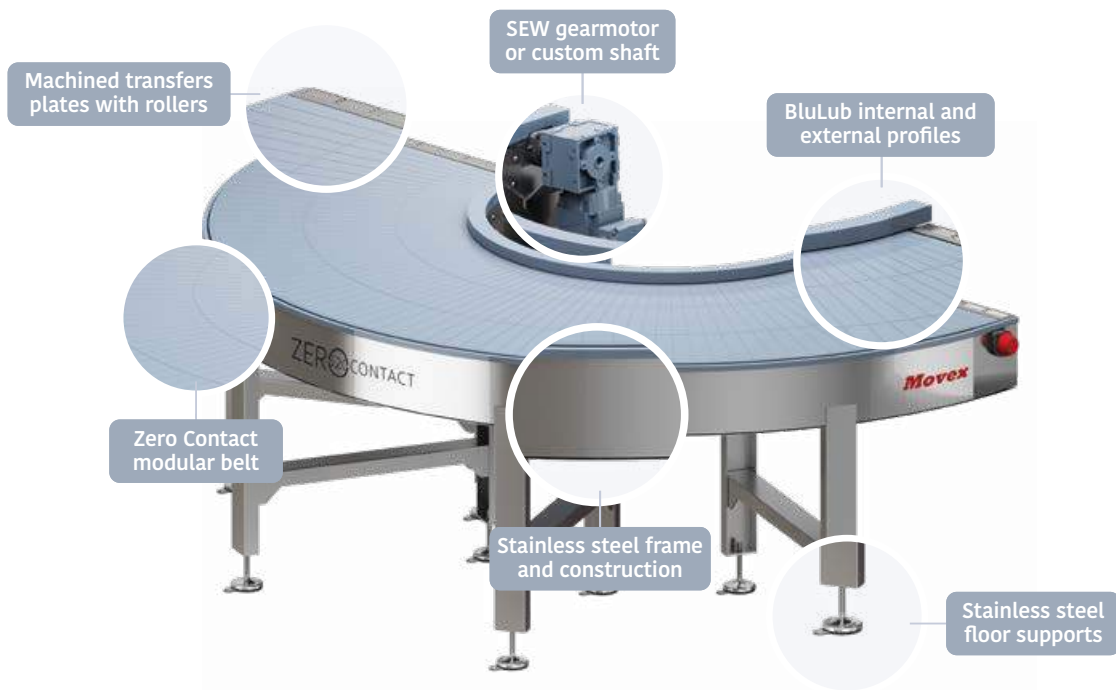


QUOTE MODULES
FOR ALL MODULAR SOLUTIONS

Pag 73 > 79

ZERO CONTACT

CURVE CONVEYOR



Product use

Zero Contact™ curve conveyor is available in different widths with a closed-top surface capable of handling a variety of package sizes, types and configurations including delicate products and applications found on shrink wrappers.

Zero Contact™ is designed to be used for the transport of various sized parts, is suitable for food and beverage industry thanks to the FDA approval, and helps reducing energy consumption and improving the line efficiency. It can be easily connected to existing layout.



INNER RADIUS 600mm ÷ 2000mm

BELT WIDTH 200mm ÷ 1600mm

MATERIAL OF MODULES Acetal (POM)

COLOR OF MODULES Pigeon Blue (RAL 5014)

PINS PBT White

PIN LOCK Clips

FRAME Stainless steel

TEMPERATURE RANGE

Dry: -40°C÷80°C Wet: -40°C ÷65°C

(Dry:-40°F ÷ 176°F Wet: -40°F ÷ 149°F)

MAX. WORKING LOAD

13.500 N/m belt width

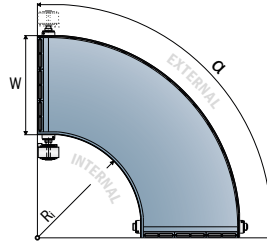
CURVE ANGLE 15° ÷ 360°

OPEN AREA 0%

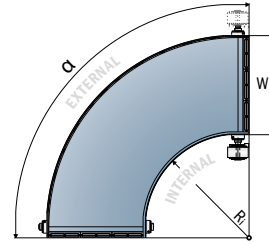
CURVES RANGE

Angle 90°

Left Version **CS**



CD Right Version



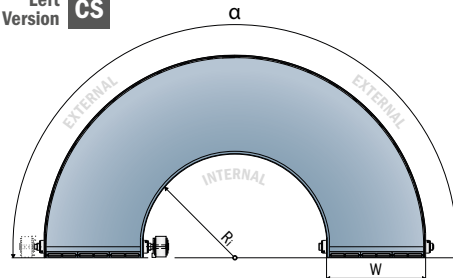
Width	Version	R _i 600mm	R _i 800mm	R _i 1000mm	R _i 1200mm	R _i 1400mm	R _i 1600mm	R _i 1800mm	R _i 2000mm
200mm	RIGHT	W02R06G090-CD	W02R08G090-CD	W02R10G090-CD	W02R12G090-CD	W02R14G090-CD	W02R16G090-CD	W02R18G090-CD	W02R20G090-CD
	LEFT	W02R06G090-CS	W02R08G090-CS	W02R10G090-CS	W02R12G090-CS	W02R14G090-CS	W02R16G090-CS	W02R18G090-CS	W02R20G090-CS
400mm	RIGHT	W04R06G090-CD	W04R08G090-CD	W04R10G090-CD	W04R12G090-CD	W04R14G090-CD	W04R16G090-CD	W04R18G090-CD	-
	LEFT	W04R06G090-CS	W04R08G090-CS	W04R10G090-CS	W04R12G090-CS	W04R14G090-CS	W04R16G090-CS	W04R18G090-CS	-
600mm	RIGHT	W06R06G090-CD	W06R08G090-CD	W06R10G090-CD	W06R12G090-CD	W06R14G090-CD	W06R16G090-CD	-	-
	LEFT	W06R06G090-CS	W06R08G090-CS	W06R10G090-CS	W06R12G090-CS	W06R14G090-CS	W06R16G090-CS	-	-
800mm	RIGHT	W08R06G090-CD	W08R08G090-CD	W08R10G090-CD	W08R12G090-CD	W08R14G090-CD	-	-	-
	LEFT	W08R06G090-CS	W08R08G090-CS	W08R10G090-CS	W08R12G090-CS	W08R14G090-CS	-	-	-
1000mm	RIGHT	W10R06G090-CD	W10R08G090-CD	W10R10G090-CD	W10R12G090-CD	-	-	-	-
	LEFT	W10R06G090-CS	W10R08G090-CS	W10R10G090-CS	W10R12G090-CS	-	-	-	-
1200mm	RIGHT	W12R06G090-CD	W12R08G090-CD	W12R10G090-CD	-	-	-	-	-
	LEFT	W12R06G090-CS	W12R08G090-CS	W12R10G090-CS	-	-	-	-	-
1400mm	RIGHT	W14R06G090-CD	W14R08G090-CD	-	-	-	-	-	-
	LEFT	W14R06G090-CS	W14R08G090-CS	-	-	-	-	-	-
1600mm	RIGHT	W16R06G090-CD	-	-	-	-	-	-	-
	LEFT	W16R06G090-CS	-	-	-	-	-	-	-

These codes mean complete curve, except floor supports and gearmotor, if you need to include them please see page 60/61.

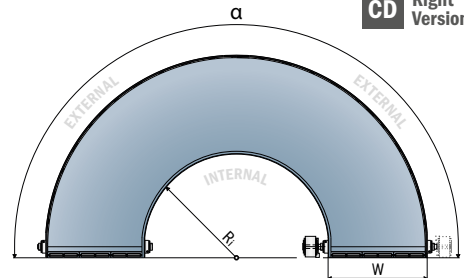
CURVES RANGE

Angle 180°

Left Version **CS**



CD Right Version

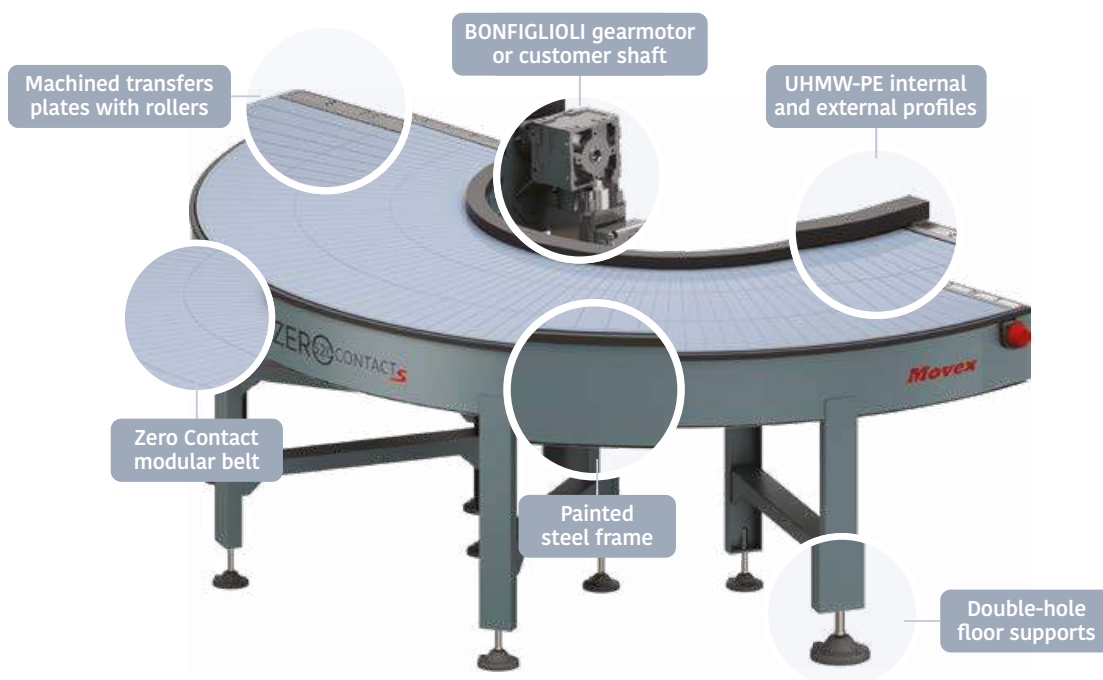


Width	Version	R _i 600mm	R _i 800mm	R _i 1000mm	R _i 1200mm	R _i 1400mm	R _i 1600mm	R _i 1800mm	R _i 2000mm
200mm	RIGHT	W02R06G180-CD	W02R08G180-CD	W02R10G180-CD	W02R12G180-CD	W02R14G180-CD	W02R16G180-CD	W02R18G180-CD	W02R20G180-CD
	LEFT	W02R06G180-CS	W02R08G180-CS	W02R10G180-CS	W02R12G180-CS	W02R14G180-CS	W02R16G180-CS	W02R18G180-CS	W02R20G180-CS
400mm	RIGHT	W04R06G180-CD	W04R08G180-CD	W04R10G180-CD	W04R12G180-CD	W04R14G180-CD	W04R16G180-CD	W04R18G180-CD	-
	LEFT	W04R06G180-CS	W04R08G180-CS	W04R10G180-CS	W04R12G180-CS	W04R14G180-CS	W04R16G180-CS	W04R18G180-CS	-
600mm	RIGHT	W06R06G180-CD	W06R08G180-CD	W06R10G180-CD	W06R12G180-CD	W06R14G180-CD	W06R16G180-CD	-	-
	LEFT	W06R06G180-CS	W06R08G180-CS	W06R10G180-CS	W06R12G180-CS	W06R14G180-CS	W06R16G180-CS	-	-
800mm	RIGHT	W08R06G180-CD	W08R08G180-CD	W08R10G180-CD	W08R12G180-CD	W08R14G180-CD	-	-	-
	LEFT	W08R06G180-CS	W08R08G180-CS	W08R10G180-CS	W08R12G180-CS	W08R14G180-CS	-	-	-
1000mm	RIGHT	W10R06G180-CD	W10R08G180-CD	W10R10G180-CD	W10R12G180-CD	-	-	-	-
	LEFT	W10R06G180-CS	W10R08G180-CS	W10R10G180-CS	W10R12G180-CS	-	-	-	-
1200mm	RIGHT	W12R06G180-CD	W12R08G180-CD	W12R10G180-CD	-	-	-	-	-
	LEFT	W12R06G180-CS	W12R08G180-CS	W12R10G180-CS	-	-	-	-	-
1400mm	RIGHT	W14R06G180-CD	W14R08G180-CD	-	-	-	-	-	-
	LEFT	W14R06G180-CS	W14R08G180-CS	-	-	-	-	-	-
1600mm	RIGHT	W16R06G180-CD	-	-	-	-	-	-	-
	LEFT	W16R06G180-CS	-	-	-	-	-	-	-

These codes mean complete curve, except floor supports and gearmotor, if you need to include them please see page 60/61.

ZERO CONTACT S

CURVE CONVEYOR



Product use

Zero Contact™ S is ideal for logistic / handling and distribution centers as well as can also be adopted for all types of product transportation, like wood or ceramic applications, dry conditions. Painted steel frames can be customized with every type of color.

Zero Contact™ S can be quickly installed into existing layout and fixed to the floor thanks to the leveling feet with double-floor fixation.



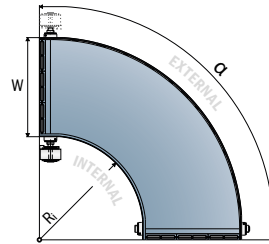
INNER RADIUS 600mm ÷ 2000mm
BELT WIDTH 200mm ÷ 1600mm
MATERIAL OF MODULES Acetal (POM)
COLOR OF MODULES Pigeon Blue (RAL 5014)
PINS PBT White
PIN LOCK Clips
FRAME Painted steel RAL 7031 or custom

TEMPERATURE RANGE
Dry: -40°C÷80°C Wet: n.a.
(Dry:-40°F ÷ 176°F Wet: n.a.)
MAX. WORKING LOAD
13.500 N/m belt width
CURVE ANGLE 15° ÷ 360°
OPEN AREA 0%

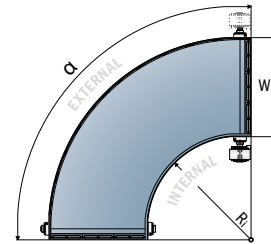
CURVES RANGE

Angle 90°

Left Version **CS**



CD Right Version



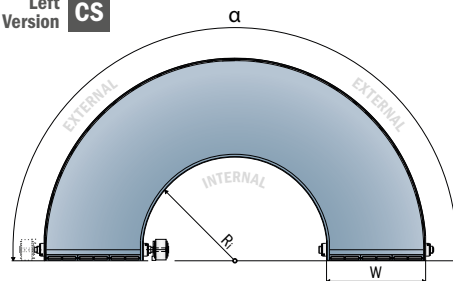
Width	Version	R, 600mm	R, 800mm	R, 1000mm	R, 1200mm	R, 1400mm	R, 1600mm	R, 1800mm	R, 2000mm
200mm	RIGHT	W02R06G090-CDS	W02R08G090-CDS	W02R10G090-CDS	W02R12G090-CDS	W02R14G090-CDS	W02R16G090-CDS	W02R18G090-CDS	W02R20G090-CDS
	LEFT	W02R06G090-CSS	W02R08G090-CSS	W02R10G090-CSS	W02R12G090-CSS	W02R14G090-CSS	W02R16G090-CSS	W02R18G090-CSS	W02R20G090-CSS
400mm	RIGHT	W04R06G090-CDS	W04R08G090-CDS	W04R10G090-CDS	W04R12G090-CDS	W04R14G090-CDS	W04R16G090-CDS	W04R18G090-CDS	-
	LEFT	W04R06G090-CSS	W04R08G090-CSS	W04R10G090-CSS	W04R12G090-CSS	W04R14G090-CSS	W04R16G090-CSS	W04R18G090-CSS	-
600mm	RIGHT	W06R06G090-CDS	W06R08G090-CDS	W06R10G090-CDS	W06R12G090-CDS	W06R14G090-CDS	W06R16G090-CDS	-	-
	LEFT	W06R06G090-CSS	W06R08G090-CSS	W06R10G090-CSS	W06R12G090-CSS	W06R14G090-CSS	W06R16G090-CSS	-	-
800mm	RIGHT	W08R06G090-CDS	W08R08G090-CDS	W08R10G090-CDS	W08R12G090-CDS	W08R14G090-CDS	-	-	-
	LEFT	W08R06G090-CSS	W08R08G090-CSS	W08R10G090-CSS	W08R12G090-CSS	W08R14G090-CSS	-	-	-
1000mm	RIGHT	W10R06G090-CDS	W10R08G090-CDS	W10R10G090-CDS	W10R12G090-CDS	-	-	-	-
	LEFT	W10R06G090-CSS	W10R08G090-CSS	W10R10G090-CSS	W10R12G090-CSS	-	-	-	-
1200mm	RIGHT	W12R06G090-CDS	W12R08G090-CDS	W12R10G090-CDS	-	-	-	-	-
	LEFT	W12R06G090-CSS	W12R08G090-CSS	W12R10G090-CSS	-	-	-	-	-
1400mm	RIGHT	W14R06G090-CDS	W14R08G090-CDS	-	-	-	-	-	-
	LEFT	W14R06G090-CSS	W14R08G090-CSS	-	-	-	-	-	-
1600mm	RIGHT	W16R06G090-CDS	-	-	-	-	-	-	-
	LEFT	W16R06G090-CSS	-	-	-	-	-	-	-

These codes mean complete curve, except floor supports and gearmotor, if you need to include them please see page 60/61.

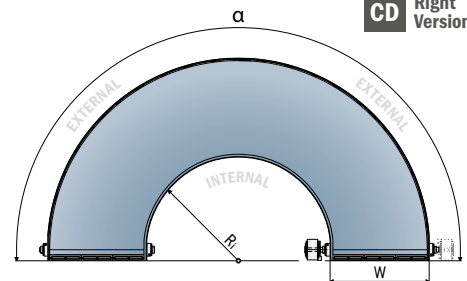
CURVES RANGE

Angle 180°

Left Version **CS**



CD Right Version



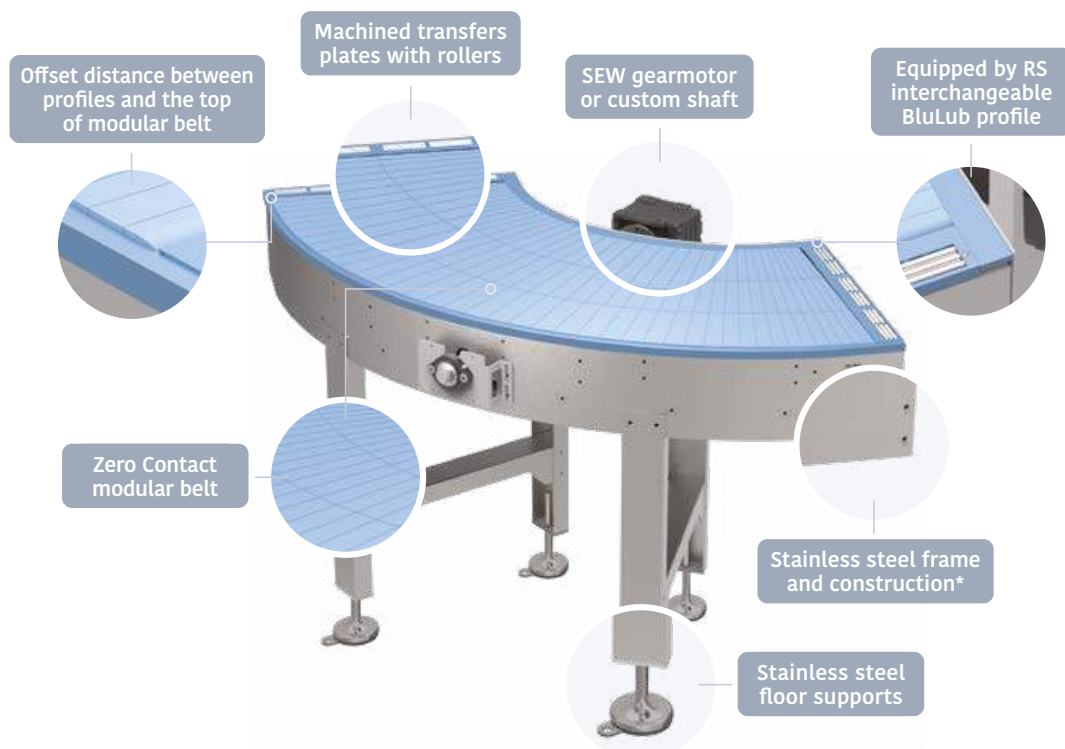
Width	Version	R, 600mm	R, 800mm	R, 1000mm	R, 1200mm	R, 1400mm	R, 1600mm	R, 1800mm	R, 2000mm
200mm	RIGHT	W02R06G180-CDS	W02R08G180-CDS	W02R10G180-CDS	W02R12G180-CDS	W02R14G180-CDS	W02R16G180-CDS	W02R18G180-CDS	W02R20G180-CDS
	LEFT	W02R06G180-CSS	W02R08G180-CSS	W02R10G180-CSS	W02R12G180-CSS	W02R14G180-CSS	W02R16G180-CSS	W02R18G180-CSS	W02R20G180-CSS
400mm	RIGHT	W04R06G180-CDS	W04R08G180-CDS	W04R10G180-CDS	W04R12G180-CDS	W04R14G180-CDS	W04R16G180-CDS	W04R18G180-CDS	-
	LEFT	W04R06G180-CSS	W04R08G180-CSS	W04R10G180-CSS	W04R12G180-CSS	W04R14G180-CSS	W04R16G180-CSS	W04R18G180-CSS	-
600mm	RIGHT	W06R06G180-CDS	W06R08G180-CDS	W06R10G180-CDS	W06R12G180-CDS	W06R14G180-CDS	W06R16G180-CDS	-	-
	LEFT	W06R06G180-CSS	W06R08G180-CSS	W06R10G180-CSS	W06R12G180-CSS	W06R14G180-CSS	W06R16G180-CSS	-	-
800mm	RIGHT	W08R06G180-CDS	W08R08G180-CDS	W08R10G180-CDS	W08R12G180-CDS	W08R14G180-CDS	-	-	-
	LEFT	W08R06G180-CSS	W08R08G180-CSS	W08R10G180-CSS	W08R12G180-CSS	W08R14G180-CSS	-	-	-
1000mm	RIGHT	W10R06G180-CDS	W10R08G180-CDS	W10R10G180-CDS	W10R12G180-CDS	-	-	-	-
	LEFT	W10R06G180-CSS	W10R08G180-CSS	W10R10G180-CSS	W10R12G180-CSS	-	-	-	-
1200mm	RIGHT	W12R06G180-CDS	W12R08G180-CDS	W12R10G180-CDS	-	-	-	-	-
	LEFT	W12R06G180-CSS	W12R08G180-CSS	W12R10G180-CSS	-	-	-	-	-
1400mm	RIGHT	W14R06G180-CDS	W14R08G180-CDS	-	-	-	-	-	-
	LEFT	W14R06G180-CSS	W14R08G180-CSS	-	-	-	-	-	-
1600mm	RIGHT	W16R06G180-CDS	-	-	-	-	-	-	-
	LEFT	W16R06G180-CSS	-	-	-	-	-	-	-

These codes mean complete curve, except floor supports and gearmotor, if you need to include them please see page 60/61.

NEW

ZERO CONTACT

CURVE CONVEYOR



*Also available with painted steel frame.

Product use

Zero Contact™ Flat Edge is the advanced curve conveyor system designed for versatility and efficiency. With a reduced offset distance between profiles and the top of the modular belt, it handles wide packages with ease and accuracy. Its bidirectional design and central drive ensure quick direction changes, while its energy-efficient operation reduces costs and environmental impact.

Zero Contact™ Flat Edge optimizes line efficiency and minimizes downtime, also for corrugated and wood industries.



INNER RADIUS 600mm ÷ 2000mm

BELT WIDTH 200mm ÷ 1600mm

MATERIAL OF MODULES Acetal (POM)

COLOR OF MODULES Pigeon Blue (RAL 5014)

PINS PBT White

PIN LOCK Clips

FRAME Stainless steel

TEMPERATURE RANGE

Dry: -40°C ÷ 80°C Wet: -40°C ÷ 65°C

(Dry: -40°F ÷ 176°F Wet: -40°F ÷ 149°F)

MAX. WORKING LOAD

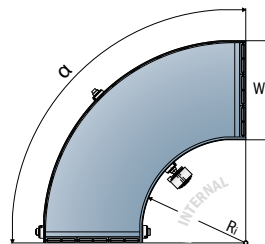
13.500 N/m belt width

CURVE ANGLE 90°/180° (different on request)

OPEN AREA 0%

CURVES RANGE

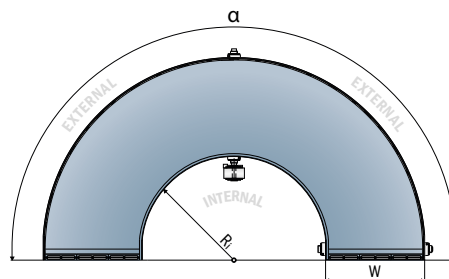
Angle 90°



Width	Version	R, 600mm	R, 800mm	R, 1000mm	R, 1200mm	R, 1400mm	R, 1600mm	R, 1800mm	R, 2000mm
200mm	RIGHT	W02R06G090-CP	W02R08G090-CP	W02R10G090-CP	W02R12G090-CP	W02R14G090-CP	W02R16G090-CP	W02R18G090-CP	W02R20G090-CP
400mm	RIGHT	W04R06G090-CP	W04R08G090-CP	W04R10G090-CP	W04R12G090-CP	W04R14G090-CP	W04R16G090-CP	W04R18G090-CP	-
600mm	RIGHT	W06R06G090-CP	W06R08G090-CP	W06R10G090-CP	W06R12G090-CP	W06R14G090-CP	W06R16G090-CP	-	-
800mm	RIGHT	W08R06G090-CP	W08R08G090-CP	W08R10G090-CP	W08R12G090-CP	W08R14G090-CP	-	-	-
1000mm	RIGHT	W10R06G090-CP	W10R08G090-CP	W10R10G090-CP	W10R12G090-CP	-	-	-	-
1200mm	RIGHT	W12R06G090-CP	W12R08G090-CP	W12R10G090-CP	-	-	-	These codes mean complete curve, except floor supports and gearmotor, if you need to include them please see page 60/61.	
1400mm	RIGHT	W14R06G090-CP	W14R08G090-CP	-	-	-	-		
1600mm	RIGHT	W16R06G090-CP	-	-	-	-	-		

CURVES RANGE

Angle 180°

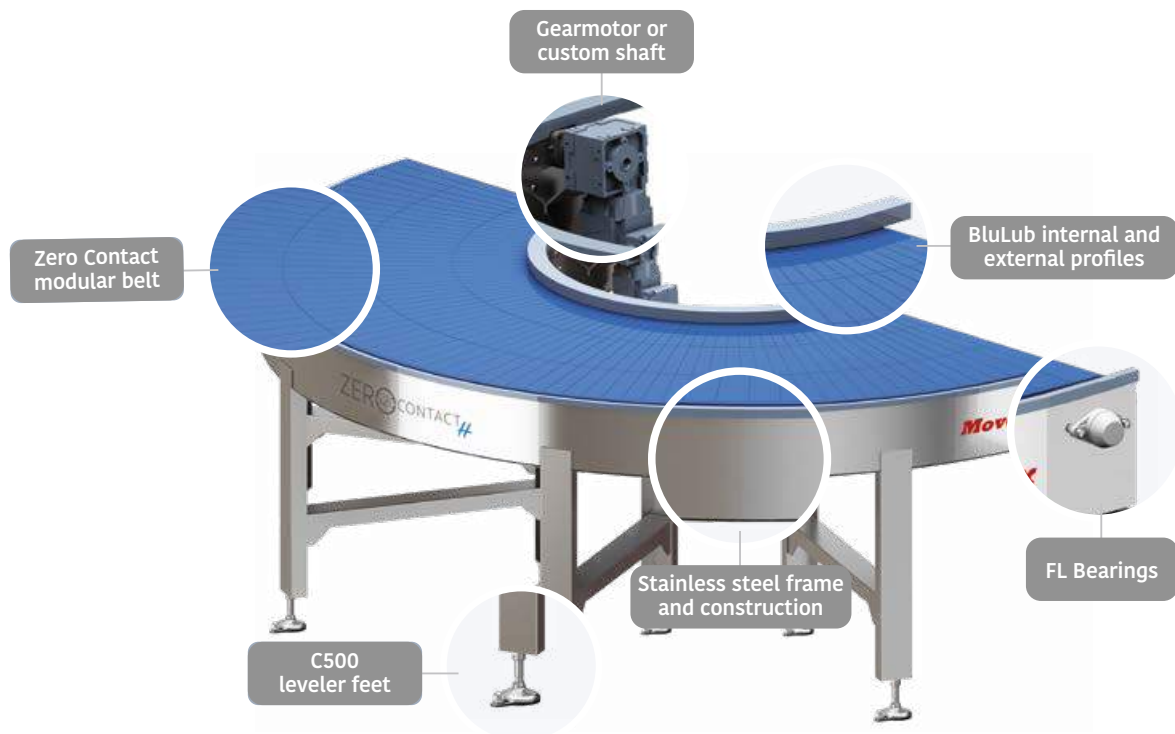


Width	Version	R, 600mm	R, 800mm	R, 1000mm	R, 1200mm	R, 1400mm	R, 1600mm	R, 1800mm	R, 2000mm
200mm	RIGHT	W02R06G180-CP	W02R08G180-CP	W02R10G180-CP	W02R12G180-CP	W02R14G180-CP	W02R16G180-CP	W02R18G180-CP	W02R20G180-CP
400mm	RIGHT	W04R06G180-CP	W04R08G180-CP	W04R10G180-CP	W04R12G180-CP	W04R14G180-CP	W04R16G180-CP	W04R18G180-CP	-
600mm	RIGHT	W06R06G180-CP	W06R08G180-CP	W06R10G180-CP	W06R12G180-CP	W06R14G180-CP	W06R16G180-CP	-	-
800mm	RIGHT	W08R06G180-CP	W08R08G180-CP	W08R10G180-CP	W08R12G180-CP	W08R14G180-CP	-	-	-
1000mm	RIGHT	W10R06G180-CP	W10R08G180-CP	W10R10G180-CP	W10R12G180-CP	-	-	-	-
1200mm	RIGHT	W12R06G180-CP	W12R08G180-CP	W12R10G180-CP	-	-	-	These codes mean complete curve, except floor supports and gearmotor, if you need to include them please see page 60/61.	
1400mm	RIGHT	W14R06G180-CP	W14R08G180-CP	-	-	-	-		
1600mm	RIGHT	W16R06G180-CP	-	-	-	-	-		

NEW

ZERO CONTACT

CURVE CONVEYOR



Product use

Specifically designed for industrial environments with critical hygienic level, Movex® Zero Contact™ Hygienic is the perfect solutions for dairy, food, chemical and pharmaceutical industries, subjected to daily washing cycles.

Movex® Zero Contact™ modular belt is approved for direct food contact by FDA. Any bulk food product can stay on the modular belt without contamination. With reference to the foodstuff categories detailed by Reg. (EU) No. 10/2011.



INNER RADIUS 600mm ÷ 2000mm

BELT WIDTH 200mm ÷ 1600mm

MATERIAL OF MODULES Acetal (POM)

COLOR OF MODULES LFB (Blue)

PINS PBT White

PIN LOCK Clips

FRAME Stainless steel

TEMPERATURE RANGE

Dry: -40°C÷80°C Wet: -40°C ÷65°C

(Dry:-40°F ÷ 176°F Wet: -40°F ÷ 149°F)

MAX. WORKING LOAD

13.500 N/m belt width

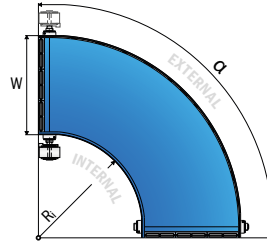
CURVE ANGLE 90° ÷ 180° (different on request)

OPEN AREA 0%

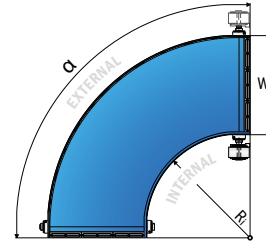
CURVES RANGE

Angle 90°

Left Version **CS**



CD Right Version



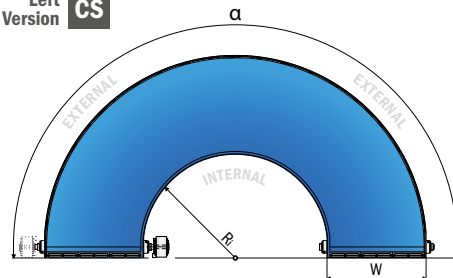
Width	Version	R, 600mm	R, 800mm	R, 1000mm	R, 1200mm	R, 1400mm	R, 1600mm	R, 1800mm	R, 2000mm
200mm	RIGHT	W02R06G090-CDH	W02R08G090-CDH	W02R10G090-CDH	W02R12G090-CDH	W02R14G090-CDH	W02R16G090-CDH	W02R18G090-CDH	W02R20G090-CDH
	LEFT	W02R06G090-CSH	W02R08G090-CSH	W02R10G090-CSH	W02R12G090-CSH	W02R14G090-CSH	W02R16G090-CSH	W02R18G090-CSH	W02R20G090-CSH
400mm	RIGHT	W04R06G090-CDH	W04R08G090-CDH	W04R10G090-CDH	W04R12G090-CDH	W04R14G090-CDH	W04R16G090-CDH	W04R18G090-CDH	-
	LEFT	W04R06G090-CSH	W04R08G090-CSH	W04R10G090-CSH	W04R12G090-CSH	W04R14G090-CSH	W04R16G090-CSH	W04R18G090-CSH	-
600mm	RIGHT	W06R06G090-CDH	W06R08G090-CDH	W06R10G090-CDH	W06R12G090-CDH	W06R14G090-CDH	W06R16G090-CDH	-	-
	LEFT	W06R06G090-CSH	W06R08G090-CSH	W06R10G090-CSH	W06R12G090-CSH	W06R14G090-CSH	W06R16G090-CSH	-	-
800mm	RIGHT	W08R06G090-CDH	W08R08G090-CDH	W08R10G090-CDH	W08R12G090-CDH	W08R14G090-CDH	-	-	-
	LEFT	W08R06G090-CSH	W08R08G090-CSH	W08R10G090-CSH	W08R12G090-CSH	W08R14G090-CSH	-	-	-
1000mm	RIGHT	W10R06G090-CDH	W10R08G090-CDH	W10R10G090-CDH	W10R12G090-CDH	-	-	-	-
	LEFT	W10R06G090-CSH	W10R08G090-CSH	W10R10G090-CSH	W10R12G090-CSH	-	-	-	-
1200mm	RIGHT	W12R06G090-CDH	W12R08G090-CDH	W12R10G090-CDH	-	-	-	-	-
	LEFT	W12R06G090-CSH	W12R08G090-CSH	W12R10G090-CSH	-	-	-	-	-
1400mm	RIGHT	W14R06G090-CDH	W14R08G090-CDH	-	-	-	-	-	-
	LEFT	W14R06G090-CSH	W14R08G090-CSH	-	-	-	-	-	-
1600mm	RIGHT	W16R06G090-CDH	-	-	-	-	-	-	-
	LEFT	W16R06G090-CSH	-	-	-	-	-	-	-

These codes mean complete curve, except floor supports and gearmotor, if you need to include them please see page 60/61.

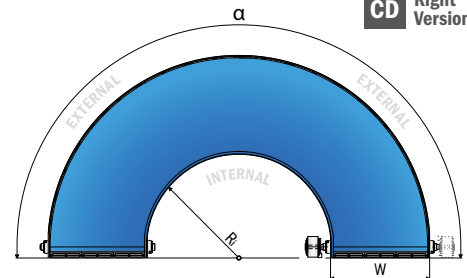
CURVES RANGE

Angle 180°

Left Version **CS**



CD Right Version

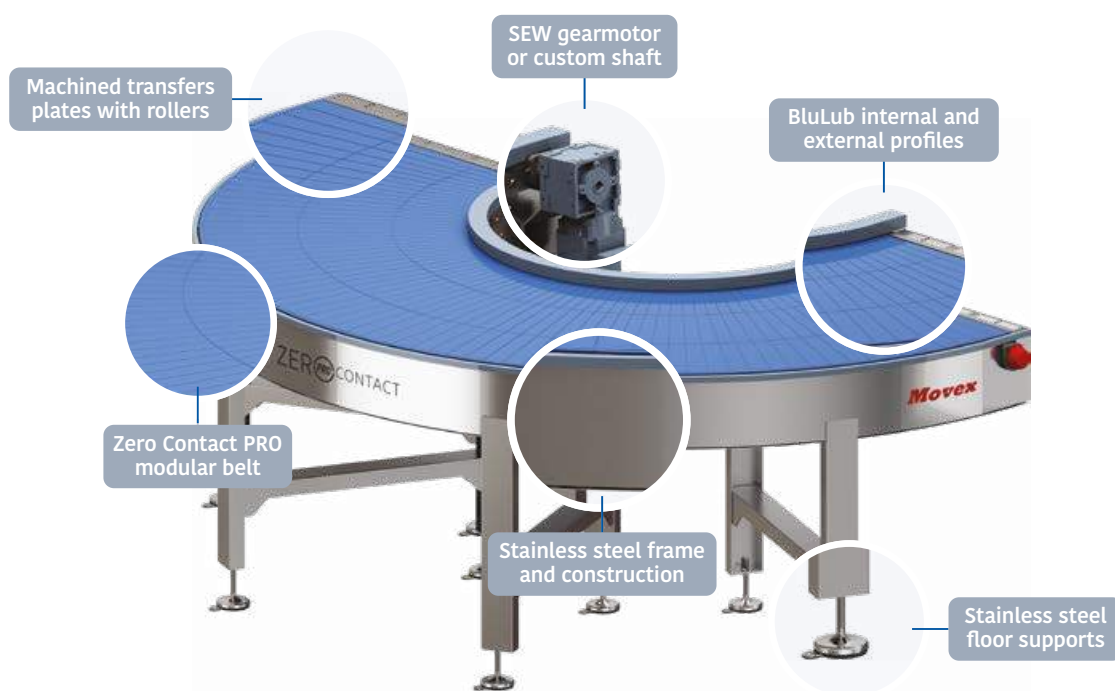


Width	Version	R, 600mm	R, 800mm	R, 1000mm	R, 1200mm	R, 1400mm	R, 1600mm	R, 1800mm	R, 2000mm
200mm	RIGHT	W02R06G180-CDH	W02R08G180-CDH	W02R10G180-CDH	W02R12G180-CDH	W02R14G180-CDH	W02R16G180-CDH	W02R18G180-CDH	W02R20G180-CDH
	LEFT	W02R06G180-CSH	W02R08G180-CSH	W02R10G180-CSH	W02R12G180-CSH	W02R14G180-CSH	W02R16G180-CSH	W02R18G180-CSH	W02R20G180-CSH
400mm	RIGHT	W04R06G180-CDH	W04R08G180-CDH	W04R10G180-CDH	W04R12G180-CDH	W04R14G180-CDH	W04R16G180-CDH	W04R18G180-CDH	-
	LEFT	W04R06G180-CSH	W04R08G180-CSH	W04R10G180-CSH	W04R12G180-CSH	W04R14G180-CSH	W04R16G180-CSH	W04R18G180-CSH	-
600mm	RIGHT	W06R06G180-CDH	W06R08G180-CDH	W06R10G180-CDH	W06R12G180-CDH	W06R14G180-CDH	W06R16G180-CDH	-	-
	LEFT	W06R06G180-CSH	W06R08G180-CSH	W06R10G180-CSH	W06R12G180-CSH	W06R14G180-CSH	W06R16G180-CSH	-	-
800mm	RIGHT	W08R06G180-CDH	W08R08G180-CDH	W08R10G180-CDH	W08R12G180-CDH	W08R14G180-CDH	-	-	-
	LEFT	W08R06G180-CSH	W08R08G180-CSH	W08R10G180-CSH	W08R12G180-CSH	W08R14G180-CSH	-	-	-
1000mm	RIGHT	W10R06G180-CDH	W10R08G180-CDH	W10R10G180-CDH	W10R12G180-CDH	-	-	-	-
	LEFT	W10R06G180-CSH	W10R08G180-CSH	W10R10G180-CSH	W10R12G180-CSH	-	-	-	-
1200mm	RIGHT	W12R06G180-CDH	W12R08G180-CDH	W12R10G180-CDH	-	-	-	-	-
	LEFT	W12R06G180-CSH	W12R08G180-CSH	W12R10G180-CSH	-	-	-	-	-
1400mm	RIGHT	W14R06G180-CDH	W14R08G180-CDH	-	-	-	-	-	-
	LEFT	W14R06G180-CSH	W14R08G180-CSH	-	-	-	-	-	-
1600mm	RIGHT	W16R06G180-CDH	-	-	-	-	-	-	-
	LEFT	W16R06G180-CSH	-	-	-	-	-	-	-

These codes mean complete curve, except floor supports and gearmotor, if you need to include them please see page 60/61.

ZERO CONTACT

CURVE CONVEYOR



Product use

Zero Contact™ PRO is the right choice for heavy duty applications with high abrasive conditions, like sand, salt as well as production of tiles, bricks and cement production or applications where speeds and loads result very high.

Zero Contact™ PRO is designed with different dimension and features, so to guarantee higher performance for hostile environments:



The belt in Polyamide glass fiber reinforced, more resistant to high wear conditions



The rods in stainless steel and fixed by using grub screws guarantee high loads



INNER RADIUS 586mm ÷ 1541mm

BELT WIDTH 249mm ÷ 1034mm

MATERIAL OF MODULES Polyamide glass fiber reinforced (PA)

COLOR OF MODULES Dark Pigeon Blue (RAL 5017)

PINS Stainless steel

PIN LOCK Stainless steel grub screws

FRAME Stainless steel

TEMPERATURE RANGE

Dry: -30°C ÷ 100°C Wet: n.a.
(Dry: -22°F ÷ 212°F Wet: n.a.)

MAX. WORKING LOAD

19.000 N/m belt width

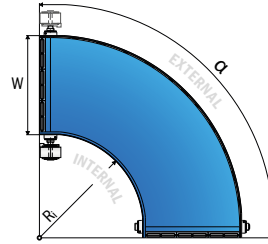
CURVE ANGLE 15° ÷ 360°

OPEN AREA 0%

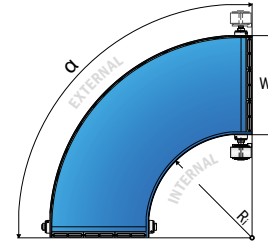
CURVES RANGE

Angle 90°

Left Version **CS**



CD Right Version



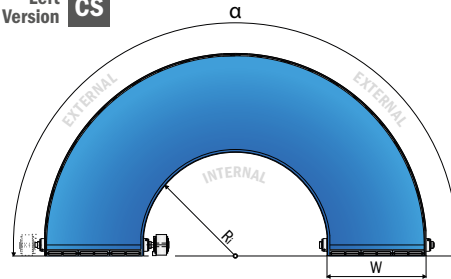
Width	Version	R _i 586mm	R _i 756mm	R _i 1011mm	R _i 1031mm	R _i 1116mm	R _i 1201mm	R _i 1286mm	R _i 1456mm	R _i 1541mm
249mm	RIGHT	-	-	-	W91R94G090-CD	-	-	W91R97G090-CD	-	-
	LEFT	-	-	-	W91R94G090-CS	-	-	W91R97G090-CS	-	-
269mm	RIGHT	-	W92R92G090-CD	W92R93G090-CD	-	-	-	-	-	-
	LEFT	-	W92R92G090-CS	W92R93G090-CS	-	-	-	-	-	-
419mm	RIGHT	-	-	-	W93R94G090-CD	-	W93R96G090-CD	-	W93R98G090-CD	-
	LEFT	-	-	-	W93R94G090-CS	-	W93R96G090-CS	-	W93R98G090-CS	-
439mm	RIGHT	W94R91G090-CD	W94R92G090-CD	W94R93G090-CD	-	-	-	-	-	-
	LEFT	W94R91G090-CS	W94R92G090-CS	W94R93G090-CS	-	-	-	-	-	-
504mm	RIGHT	-	-	-	-	W95R95G090-CD	-	W95R97G090-CD	-	W95R99G090-CD
	LEFT	-	-	-	-	W95R95G090-CS	-	W95R97G090-CS	-	W95R99G090-CS
524mm	RIGHT	W96R91G090-CD	W96R92G090-CD	W96R93G090-CD	-	-	-	-	-	-
	LEFT	W96R91G090-CS	W96R92G090-CS	W96R93G090-CS	-	-	-	-	-	-
864mm	RIGHT	W97R91G090-CD	W97R92G090-CD	W97R93G090-CD	-	-	-	-	-	-
	LEFT	W97R91G090-CS	W97R92G090-CS	W97R93G090-CS	-	-	-	-	-	-
1034mm	RIGHT	W98R91G090-CD	W98R92G090-CD	W98R93G090-CD	-	-	-	-	-	-
	LEFT	W98R91G090-CS	W98R92G090-CS	W98R93G090-CS	-	-	-	-	-	-

These codes mean complete curve, except floor supports and gearmotor, if you need to include them please see page 60/61.

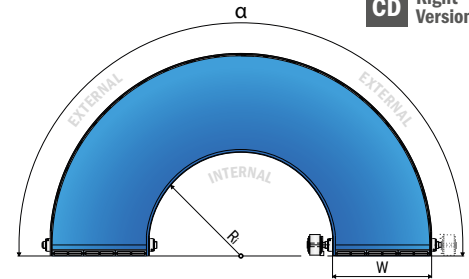
CURVES RANGE

Angle 180°

Left Version **CS**



CD Right Version



Width	Version	R _i 586mm	R _i 756mm	R _i 1011mm	R _i 1031mm	R _i 1116mm	R _i 1201mm	R _i 1286mm	R _i 1456mm	R _i 1541mm
249mm	RIGHT	-	-	-	W91R94G180-CD	-	-	W91R97G180-CD	-	-
	LEFT	-	-	-	W91R94G180-CS	-	-	W91R97G180-CS	-	-
269mm	RIGHT	-	W92R92G180-CD	W92R93G180-CD	-	-	-	-	-	-
	LEFT	-	W92R92G180-CS	W92R93G180-CS	-	-	-	-	-	-
419mm	RIGHT	-	-	-	W93R94G180-CD	-	W93R96G180-CD	-	W93R98G180-CD	-
	LEFT	-	-	-	W93R94G180-CS	-	W93R96G180-CS	-	W93R98G180-CS	-
439mm	RIGHT	W94R91G180-CD	W94R92G180-CD	W94R93G180-CD	-	-	-	-	-	-
	LEFT	W94R91G180-CS	W94R92G180-CS	W94R93G180-CS	-	-	-	-	-	-
504mm	RIGHT	-	-	-	-	W95R95G180-CD	-	W95R97G180-CD	-	W95R99G180-CD
	LEFT	-	-	-	-	W95R95G180-CS	-	W95R97G180-CS	-	W95R99G180-CS
524mm	RIGHT	W96R91G180-CD	W96R92G180-CD	W96R93G180-CD	-	-	-	-	-	-
	LEFT	W96R91G180-CS	W96R92G180-CS	W96R93G180-CS	-	-	-	-	-	-
864mm	RIGHT	W97R91G180-CD	W97R92G180-CD	W97R93G180-CD	-	-	-	-	-	-
	LEFT	W97R91G180-CS	W97R92G180-CS	W97R93G180-CS	-	-	-	-	-	-
1034mm	RIGHT	W98R91G180-CD	W98R92G180-CD	W98R93G180-CD	-	-	-	-	-	-
	LEFT	W98R91G180-CS	W98R92G180-CS	W98R93G180-CS	-	-	-	-	-	-

These codes mean complete curve, except floor supports and gearmotor, if you need to include them please see page 60/61.

ZERO CONTACT

CURVE CONVEYOR

TWO TRACKS VERSION

Product use

Zero Contact™ PRO is available also with “two-tracks” design; by keeping the same advantages of the Zero Contact™ PRO, with the Zero Contact™ PRO “two tracks” the maximum working load can be even higher thanks to the increased number of bearings. Moreover, the two belts can work at different / independent speeds and can be activated independently thanks to the double shaft.

The two belts can also be used for goods acceleration or can be also stopped independently, in case there is a double track infeed conveyor.



Separate belts offers the possibility of different / higher speeds



2 different bearing-tracks guarantee extreme load, even at higher speed



INNER RADIUS 586mm ÷ 1011mm

BELT WIDTH 524mm ÷ 1034mm

MATERIAL OF MODULES Polyamide glass fiber reinforced (PA)

COLOR OF MODULES Dark Pigeon Blue (RAL 5017)

PINS Stainless steel

PIN LOCK Stainless steel grub screws

FRAME Stainless steel

TEMPERATURE RANGE

Dry: -30°C ÷ 100°C Wet: n.a.
(Dry: -22°F ÷ 212°F Wet: n.a.)

MAX. WORKING LOAD

21.000N/m belt width

CURVE ANGLE 15° ÷ 360°

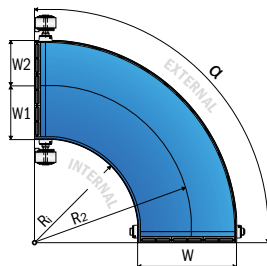
OPEN AREA 0%

CURVES RANGE

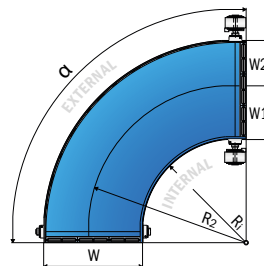
Angle 90°

Double-Shaft

Left Version **CS**



CD Right Version



Width	Version	R _i 586mm	R _i 756mm	R _i 1011mm
524mm	RIGHT	-	W96R92G090-CD2	W96R93G090-CD2
	LEFT	-	W96R92G090-CS2	W96R93G090-CS2
864mm	RIGHT	W97R91G090-CD2	W97R92G090-CD2	W97R93G090-CD2
	LEFT	W97R91G090-CS2	W97R92G090-CS2	W97R93G090-CS2
1034mm	RIGHT	W98R91G090-CD2	W98R92G090-CD2	W98R93G090-CD2
	LEFT	W98R91G090-CS2	W98R92G090-CS2	W98R93G090-CS2

CODE	R1 - mm	W1 - mm	R2 - mm	W2 - mm	WTot - mm
W96R92G090-CD2 or CS2	756	269	1031	249	524
W96R93G090-CD2 or CS2	1011	269	1286	249	524
W97R91G090-CD2 or CS2	586	439	1031	419	864
W97R92G090-CD2 or CS2	756	439	1201	419	864
W97R93G090-CD2 or CS2	1011	439	1456	419	864
W98R91G090-CD2 or CS2	586	524	1116	504	1034
W98R92G090-CD2 or CS2	756	524	1286	504	1034
W98R93G090-CD2 or CS2	1011	524	1541	504	1034

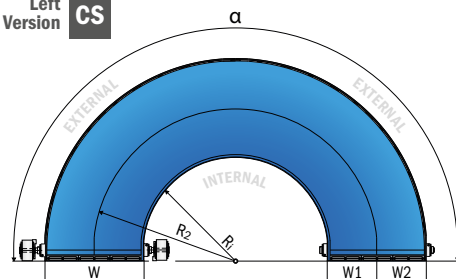
The gap between the two belts is always 6mm. These codes mean complete curve, except floor supports and gearmotors, if you need to include them please see page 60/61.

CURVES RANGE

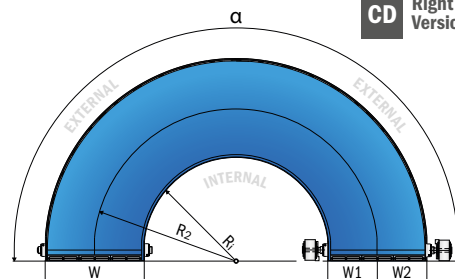
Angle 180°

Double-Shaft

Left Version **CS**



CD Right Version



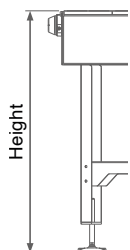
Width	Version	R _i 586mm	R _i 756mm	R _i 1011mm
524mm	RIGHT	-	W96R92G180-CD2	W96R93G180-CD2
	LEFT	-	W96R92G180-CS2	W96R93G180-CS2
864mm	RIGHT	W97R91G180-CD2	W97R92G180-CD2	W97R93G180-CD2
	LEFT	W97R91G180-CS2	W97R92G180-CS2	W97R93G180-CS2
1034mm	RIGHT	W98R91G180-CD2	W98R92G180-CD2	W98R93G180-CD2
	LEFT	W98R91G180-CS2	W98R92G180-CS2	W98R93G180-CS2

CODE	R1 - mm	W1 - mm	R2 - mm	W2 - mm	WTot - mm
W96R92G090-CD2 or CS2	756	269	1031	249	524
W96R93G090-CD2 or CS2	1011	269	1286	249	524
W97R91G090-CD2 or CS2	586	439	1031	419	864
W97R92G090-CD2 or CS2	756	439	1201	419	864
W97R93G090-CD2 or CS2	1011	439	1456	419	864
W98R91G090-CD2 or CS2	586	524	1116	504	1034
W98R92G090-CD2 or CS2	756	524	1286	504	1034
W98R93G090-CD2 or CS2	1011	524	1541	504	1034

The gap between the two belts is always 6mm. These codes mean complete curve, except floor supports and gearmotors, if you need to include them please see page 60/61.

Zero Contact™

Floor support



- Stainless steel AISI 304 or painted steel
- Single or double floor fixation levellers
- Customizable height and specifications



Floor support for Zero Contact - Zero Contact Flat Edge - Zero Contact Hygienic

Article Nr.	Curve Width - mm	Total Height - mm	Angle
W02G090H	200	1000	90°
W04G090H	400	1000	90°
W06G090H	600	1000	90°
W08G090H	800	1000	90°
W10G090H	1000	1000	90°
W12G090H	1200	1000	90°
W14G090H	1400	1000	90°
W16G090H	1600	1000	90°

Article Nr.	Curve Width - mm	Total Height - mm	Angle
W02G180H	200	1000	180°
W04G180H	400	1000	180°
W06G180H	600	1000	180°
W08G180H	800	1000	180°
W10G180H	1000	1000	180°
W12G180H	1200	1000	180°
W14G180H	1400	1000	180°
W16G180H	1600	1000	180°

To order floor support for Hygienic version, add 'H' to the end of the code in the table.

Floor support for Zero Contact PRO

Article Nr.	Curve Width - mm	Total Height - mm	Angle
W91G090H	249	1000	90°
W92G090H	269	1000	90°
W93G090H	419	1000	90°
W94G090H	439	1000	90°
W95G090H	504	1000	90°
W96G090H	524	1000	90°
W97G090H	864	1000	90°
W98G090H	1034	1000	90°

Article Nr.	Curve Width - mm	Total Height - mm	Angle
W91G180H	249	1000	180°
W92G180H	269	1000	180°
W93G180H	419	1000	180°
W94G180H	439	1000	180°
W95G180H	504	1000	180°
W96G180H	524	1000	180°
W97G180H	864	1000	180°
W98G180H	1034	1000	180°

Floor support for Zero Contact S

Article Nr.	Curve Width - mm	Total Height - mm	Angle
W02G090HS	200	1000	90°
W04G090HS	400	1000	90°
W06G090HS	600	1000	90°
W08G090HS	800	1000	90°
W10G090HS	1000	1000	90°
W12G090HS	1200	1000	90°
W14G090HS	1400	1000	90°
W16G090HS	1600	1000	90°

Article Nr.	Curve Width - mm	Total Height - mm	Angle
W02G180HS	200	1000	180°
W04G180HS	400	1000	180°
W06G180HS	600	1000	180°
W08G180HS	800	1000	180°
W10G180HS	1000	1000	180°
W12G180HS	1200	1000	180°
W14G180HS	1400	1000	180°
W16G180HS	1600	1000	180°

For different heights or custom specification please contact your sales representative.

Zero Contact™

Gearmotor



SEW Gearmotors

- Foodgrade oil
- Power for 90° curve > 0,37kW – type WA30 DRN71M4
- Power for 180° curve > 0,55kW – type WA30 DRN80MK4
- Internal shaft position (no cable supplied)

Article Nr.	Power
M090-S/I	for 90° curve
M180-S/I	for 180° curve

Recommended for **Zero Contact™**, **Zero Contact™ PRO**, **Zero Contact Flat Edge™** and **Zero Contact Hygienic™**

For different gearmotors please contact your sales representative



BONFIGLIOLI Gearmotors

- Power for 90° curve > 0,37kW – type BN 71B 4 B14 KW 0,37
- Power for 180° curve > 0,55kW – type BN 71C 4 B14 KW 0,55
- Internal shaft position (no cable supplied)

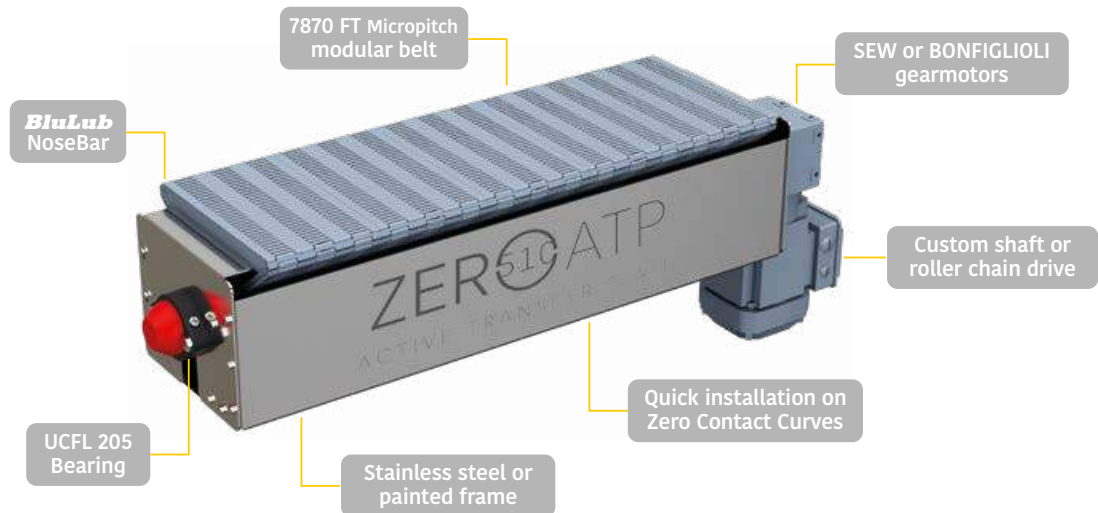
Article Nr.	Power
M090L-S/I	for 90° curve
M180L-S/I	for 180° curve

Recommended for **Zero Contact™ S**

For different gearmotors please contact your sales representative

ZERO⁵¹⁰ ATP

ACTIVE TRANSFER PLATE

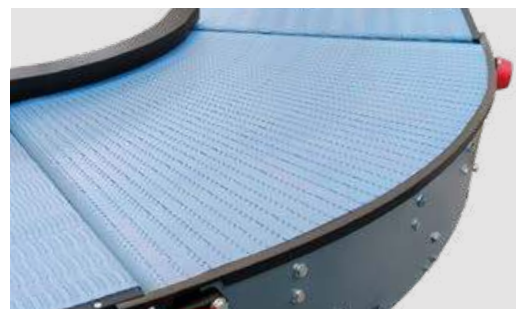


The **Zero ATP** is the perfect solution for small and light products, which hardly slide on standard solution. With the Active Transfer Plate Movex helps reducing downtimes and improving efficiency.

Zero ATP is a complete conveyor unit and supplied connected to the **Zero Contact™** curve independently, so speed can be different than the curve itself, so able to accelerate or decelerate carried products.

Zero ATP Active Transfer Plates are equipped with Movex 7870 FT micropitch belt.

A tensioning system is included.



Main features

- Equipped with Movex 7870 modular belt
- 8mm pitch, 3mm nose radius
- Available length 250mm and 500mm
- Connectable to Zero Contact curves



DIFFERENT BELT SURFACE AVAILABLE ON REQUEST

For different configurations and 7870 modular belt surface (Flush grid, Diamond top, Cone top, Non slip), please contact your sales representative.

Zero ATP for Zero Contact - Zero Contact Flat Edge - Zero Contact Hygienic

Module length 250mm

Article Nr.	Curve Width - mm	Micropitch Width - mm
W02L10ATP	200	228,6
W04L10ATP	400	381
W06L10ATP	600	609,6
W08L10ATP	800	838,2
W10L10ATP	1000	990,6
W12L10ATP	1200	1219,2
W14L10ATP	1400	1447,8
W16L10ATP	1600	1600,2

Module length 500mm

Article Nr.	Curve Width - mm	Micropitch Width - mm
W02L20ATP	200	228,6
W04L20ATP	400	381
W06L20ATP	600	609,6
W08L20ATP	800	838,2
W10L20ATP	1000	990,6
W12L20ATP	1200	1219,2
W14L20ATP	1400	1447,8
W16L20ATP	1600	1600,2

Longer Zero ATP available on request

Zero ATP for Zero Contact PRO

Module length 250mm

Article Nr.	Curve Width - mm	Micropitch Width - mm
W91L10ATP	249	228,6
W92L10ATP	269	228,6
W93L10ATP	419	381
W94L10ATP	439	457,2
W95L10ATP	504	533,4
W96L10ATP	524	533,4
W97L10ATP	864	838,2
W98L10ATP	1034	990,6

Module length 500mm

Article Nr.	Curve Width - mm	Micropitch Width - mm
W91L20ATP	249	228,6
W92L20ATP	269	228,6
W93L20ATP	419	381
W94L20ATP	439	457,2
W95L20ATP	504	533,4
W96L20ATP	524	533,4
W97L20ATP	864	838,2
W98L20ATP	1034	990,6

Longer Zero ATP available on request

Zero ATP for Zero Contact S

Module length 250mm

Article Nr.	Curve Width - mm	Micropitch Width - mm
W02L10ATPS	200	228,6
W04L10ATPS	400	381
W06L10ATPS	600	609,6
W08L10ATPS	800	838,2
W10L10ATPS	1000	990,6
W12L10ATPS	1200	1219,2
W14L10ATPS	1400	1447,8
W16L10ATPS	1600	1600,2

Module length 500mm

Article Nr.	Curve Width - mm	Micropitch Width - mm
W02L20ATPS	200	228,6
W04L20ATPS	400	381
W06L20ATPS	600	609,6
W08L20ATPS	800	838,2
W10L20ATPS	1000	990,6
W12L20ATPS	1200	1219,2
W14L20ATPS	1400	1447,8
W16L20ATPS	1600	1600,2

Longer Zero ATP available on request

SEW Gearmotor

- Foodgrade oil
- Power 0,18kW



Article Nr.	Power
MDT-1600	0,18kW

BONFIGLIOLI Gearmotor

- Power 0,18kW



Article Nr.	Power
MDTL-1600	0,18kW

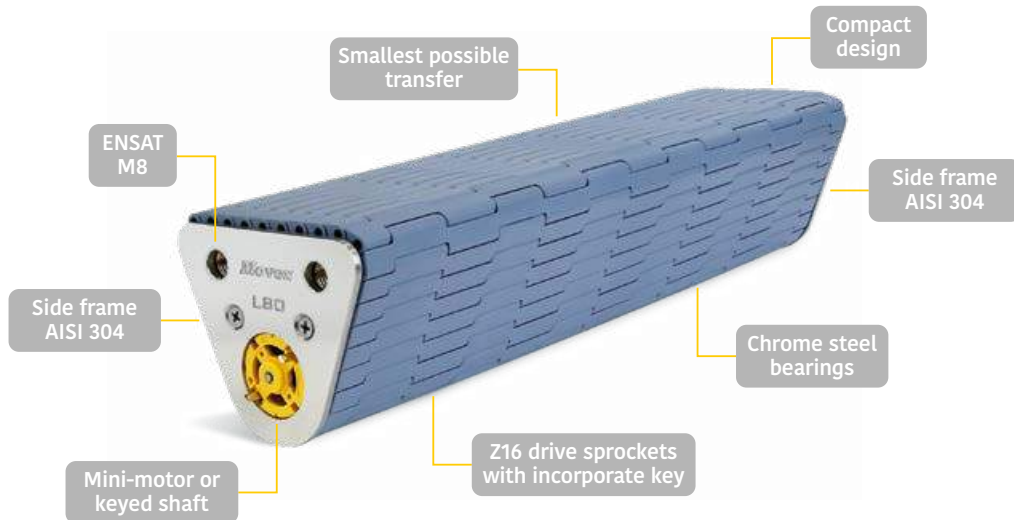
For different gearmotors please contact your sales representative.

SEW and BONFIGLIOLI are believed to be the trademarks and/or trade names of their respective owners and are not owned or controlled by Movex S.p.A.

100%
GUARANTEED
TRANSFER!

ZERO^{PRO} ATP[®]

ACTIVE TRANSFER PLATE



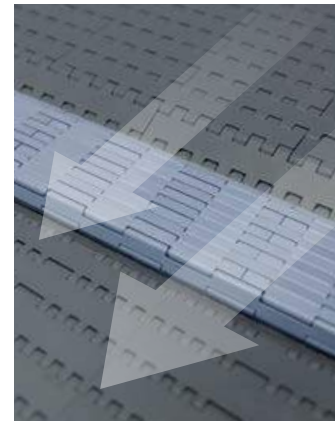
Product use

Zero ATP Pro[®] equipped with micro-pitch 7870 modular belt series, is the smallest Active Transfer Plate available on the market.

With its revolutionary compact shape, Zero ATP Pro[®] is the right choice to connect different conveyors, guaranteeing a smooth product transfer, that can be easily integrated into existing lines by replacing traditional transfers, with limited structural work.

Zero ATP Pro[®] can be provided with mini-motor or key shaft for a roller chain drive and it's a maintenance and tensioning free system.

DIFFERENT BELT SURFACE AVAILABLE ON REQUEST



BELT SERIES 7870 FT

BELT WIDTH 6in ÷ 24in (152,4mm ÷ 609,6mm)

BELT DIMENSIONS Pitch 8mm Thickness 6mm

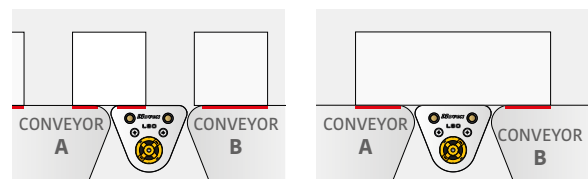
MATERIAL OF MODULES LFA, MX and LFB

TRANSFER LENGTH 80mm or 150mm

TRANSMISSION Mini motor or Keyed shaft

MAX. WORKING LOAD 3.000 N/m belt width

SIMULTANEOUS TRANSPORT OF:



LIGHTWEIGHT & SMALL GOODS HIGH LOAD & BIG GOODS

Plug-in & Play solution | Maintenance free | Self-tensioning

For different configurations and 7870 modular belt surface (Flush grid, Diamond top, Cone top, Non slip), please contact your sales representative.

Zero ATP Pro® Mini motor version



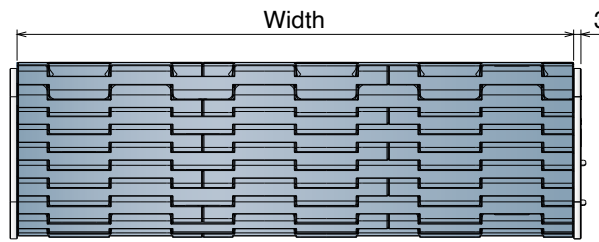
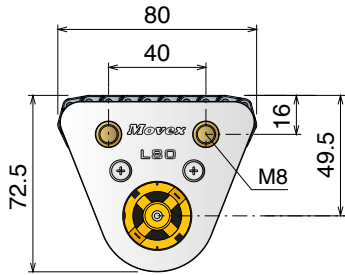
Mini-motor version

Includes a mini-motor assembled at the inside of the module.
Optional cover for motor connection
Article-Nr. 300601

Mini-motor features:

Supply voltage 6-15 V dc | Power Rating 7.85W
Max Torque 6539 g.cm.

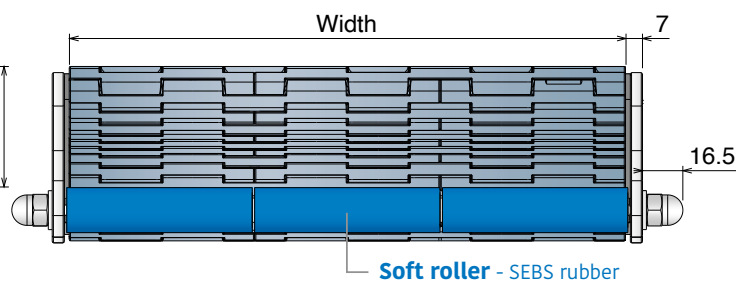
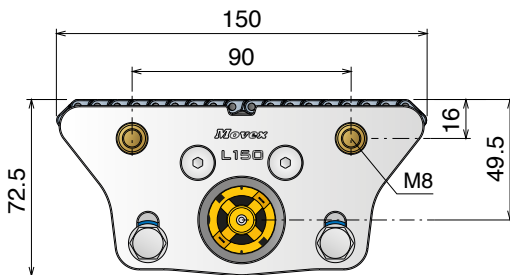
Transfer length 80mm



Series	Material	Width	Version
5336	*	0006	A
5336	*	0009	A
5336	*	0012	A
5336	*	0015	A
5336	*	0018	A
5336	*	0021	A
5336	*	0024	A

* Material		
LFA - Code 01 <i>Low friction Acetal</i>	MX - Code 03 <i>Performance PBT</i>	LFB - Code 23 <i>Low friction Acetal</i>
Max w. load: 3000 N	Max w. load: 2700 N	Max w. load: 3000 N
Weight: 5,8 kg/m ²	Weight: 5,5 kg/m ²	Weight: 5,8 kg/m ²
Temp. range dry: -40÷80 °C	Temp. range dry: -40÷120 °C	Temp. range dry: -40÷80 °C
Temp. range wet: -40÷65 °C	Temp. range wet: -40÷60 °C	Temp. range wet: -40÷65 °C
Pin material: PBT white	Pin material: POM grey	Pin material: PBT white

Transfer length 150mm - IMPROVED DESIGN



Series	Material	Width	Version
5338	*	0006	A
5338	*	0009	A
5338	*	0012	A
5338	*	0015	A
5338	*	0018	A
5338	*	0021	A
5338	*	0024	A

* Material		
LFA - Code 01 <i>Low friction Acetal</i>	MX - Code 03 <i>Performance PBT</i>	LFB - Code 23 <i>Low friction Acetal</i>
Max w. load: 3000 N	Max w. load: 2700 N	Max w. load: 3000 N
Weight: 5,8 kg/m ²	Weight: 5,5 kg/m ²	Weight: 5,8 kg/m ²
Temp. range dry: -40÷80 °C	Temp. range dry: -40÷120 °C	Temp. range dry: -40÷80 °C
Temp. range wet: -40÷65 °C	Temp. range wet: -40÷60 °C	Temp. range wet: -40÷65 °C
Pin material: PBT white	Pin material: POM grey	Pin material: PBT white

For different configurations and 7870 modular belt surface (Flush grid, Diamond top, Cone top, Non slip), please contact your sales representative.

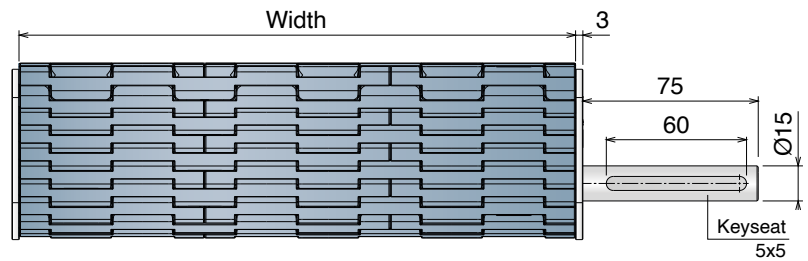
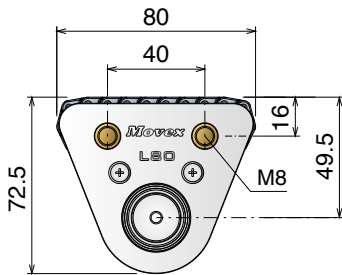
Zero ATP Pro[®] Keyed shaft version



Keyed shaft version

Includes a 15 mm shaft with standard key seat 5x5 for roller chain transmission.

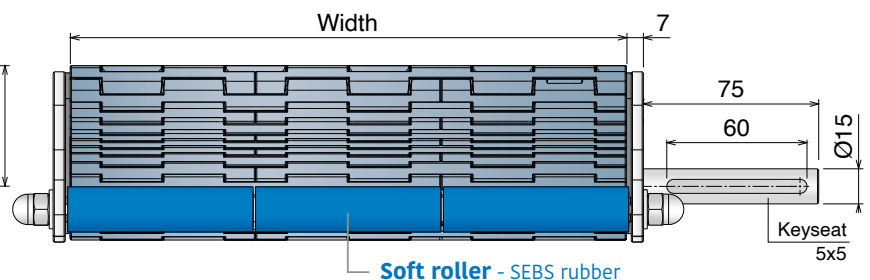
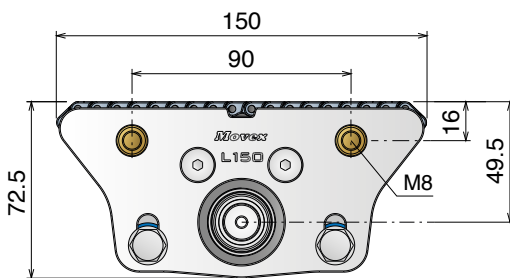
Transfer length 80mm



Series	Material	Width	Version
5336	*	0006	B
5336	*	0009	B
5336	*	0012	B
5336	*	0015	B
5336	*	0018	B
5336	*	0021	B
5336	*	0024	B

* Material			
LFA - Code 01	MX - Code 03	LFB - Code 23	
<i>Low friction Acetal</i>	<i>Performance PBT</i>	<i>Low friction Acetal</i>	
Max w. load: 3000 N	Max w. load: 2700 N	Max w. load: 3000 N	
Weight: 5,8 kg/m ²	Weight: 5,5 kg/m ²	Weight: 5,8 kg/m ²	
Temp. range dry: -40+80 °C	Temp. range dry: -40+120 °C	Temp. range dry: -40+80 °C	
Temp. range wet: -40+65 °C	Temp. range wet: -40+60 °C	Temp. range wet: -40+65 °C	
Pin material: PBT white	Pin material: POM grey	Pin material: PBT white	

Transfer length 150mm - IMPROVED DESIGN



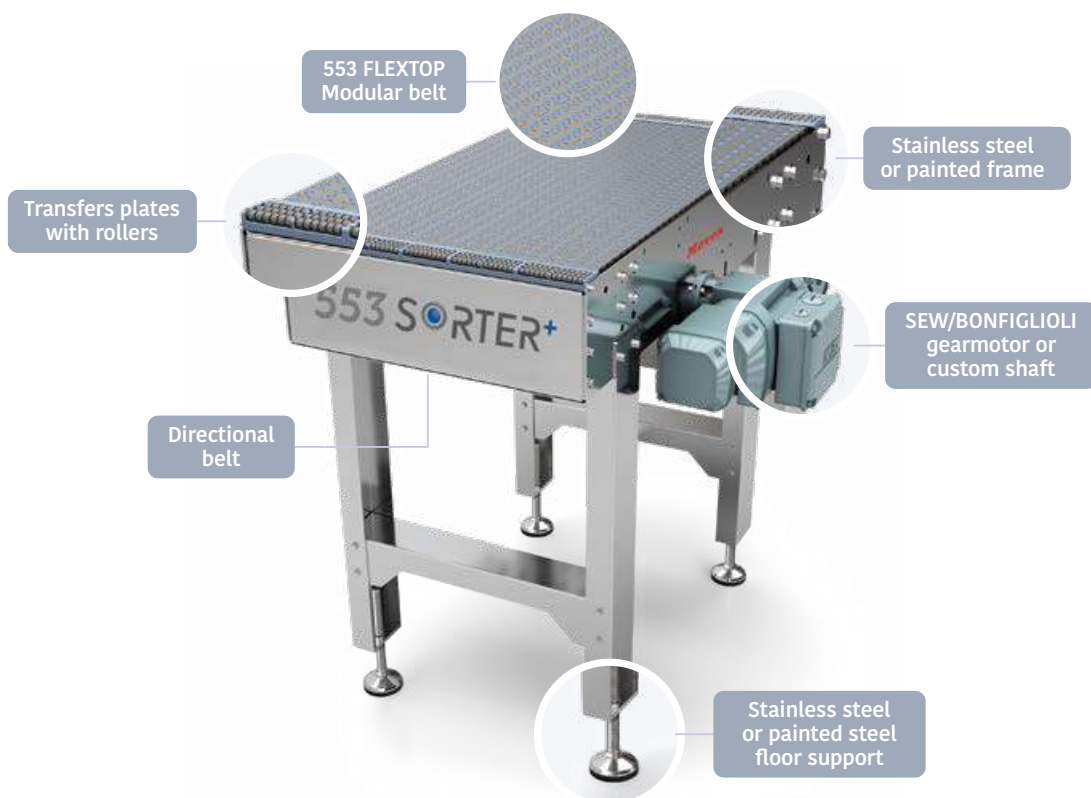
Series	Material	Width	Version
5338	*	0006	B
5338	*	0009	B
5338	*	0012	B
5338	*	0015	B
5338	*	0018	B
5338	*	0021	B
5338	*	0024	B

* Material			
LFA - Code 01	MX - Code 03	LFB - Code 23	
<i>Low friction Acetal</i>	<i>Performance PBT</i>	<i>Low friction Acetal</i>	
Max w. load: 3000 N	Max w. load: 2700 N	Max w. load: 3000 N	
Weight: 5,8 kg/m ²	Weight: 5,5 kg/m ²	Weight: 5,8 kg/m ²	
Temp. range dry: -40+80 °C	Temp. range dry: -40+120 °C	Temp. range dry: -40+80 °C	
Temp. range wet: -40+65 °C	Temp. range wet: -40+60 °C	Temp. range wet: -40+65 °C	
Pin material: PBT white	Pin material: POM grey	Pin material: PBT white	

For different configurations and 7870 modular belt surface (Flush grid, Diamond top, Cone top, Non slip), please contact your sales representative.

553 SORTER⁺

MULTIDIRECTIONAL CONVEYOR



Product use

The **553 Sorter plus™** is a multidirectional conveyor, equipped with the unique and patented 553 FlexTop modular belt, and with directional belt or plate, is able to handle a variety of products at 360°.

The **553 Sorter plus™** is available in different widths and lengths and in 4 different versions:

- **Diverter** - able to quickly move side to side your goods
- **Dynamic Turn** - able to rotate dynamically your goods
- **Static Turn** - able to rotate statically your goods
- **Speed** - able to accelerate/decelerate your goods



BELT PITCH: 25,4 mm

THICKNESS: 8,7 mm

INCREMENTS: 76,2 mm

TOTAL LENGTH: 600mm ÷ 1400mm

TOTAL WIDTH: 390mm ÷ 1000mm

MATERIAL OF MODULES: Dark grey acetal (POM)

MATERIAL OF SPHERES: Blue Polyamide (PA)

TEMPERATURE RANGE

Dry: -40°C÷80°C Wet: n.a.

(Dry:-40°F ÷ 176°F Wet: n.a.)

MAX. WORKING LOAD

27.500 N/m belt width

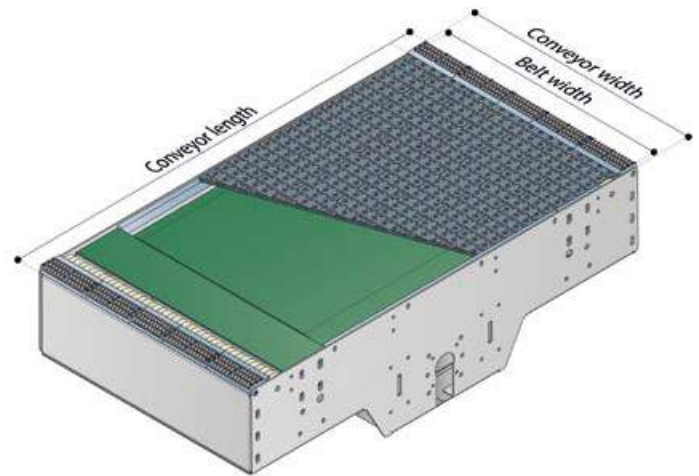
OPEN AREA 0%

FRAME Stainless steel or Painted steel

553 Sorter⁺ Diverter

Equipped with one directional belt underneath the 553 FlexTop belt running at transversal direction, the Sorter plus - diverter will let your products moving to the left or to the right.

This configuration is ideal for many types of applications, like distribution systems and logistics centers and can be used with many different types of packages, from the most traditional ones like cardboard boxes to polybags and paper envelopes.

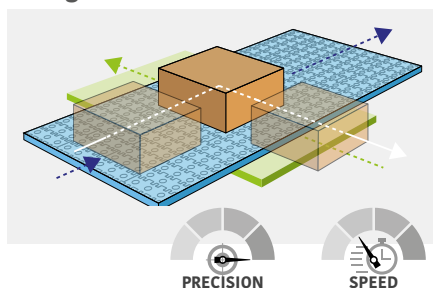


Conveyor Width	Belt Width	Conveyor Length				
		600mm	800mm	1000mm	1200mm	1400mm
390mm	381mm	W0390L0600-D	W0390L0800-D	-	-	-
470mm	457,2mm	W0470L0600-D	W0470L0800-D	W0470L1000-D	-	-
545mm	533,4mm	W0545L0600-D	W0545L0800-D	W0545L1000-D	-	-
620mm	609,6mm	-	W0620L0800-D	W0620L1000-D	W0620L1200-D	-
695mm	685,8mm	-	W0695L0800-D	W0695L1000-D	W0695L1200-D	-
770mm	762mm	-	W0770L0800-D	W0770L1000-D	W0770L1200-D	-
850mm	838,2mm	-	-	W0850L1000-D	W0850L1200-D	W0850L1400-D
925mm	914,4mm	-	-	W0925L1000-D	W0925L1200-D	W0925L1400-D
1000mm	990,6mm	-	-	-	W1000L1200-D	W1000L1400-D

These codes mean complete stainless steel conveyor, except floor supports and gearmotor, if you need to include them please see page 71.
For painted steel versions just add "S" at the end of the Article-Nr.

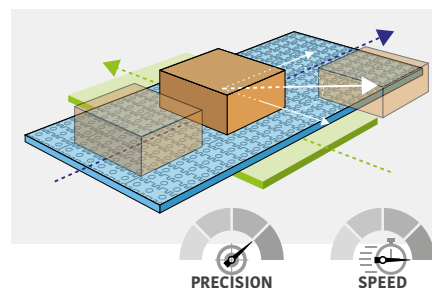
Conveyor Length	Directional belt Width	Available exit Width
600mm	400mm	400
800mm	600mm	400 - 600
1000mm	800mm	400 - 600 - 800
1200mm	1000mm	600 - 800 - 1000
1400mm	1200mm	800 - 1000 - 1200

Straight exit



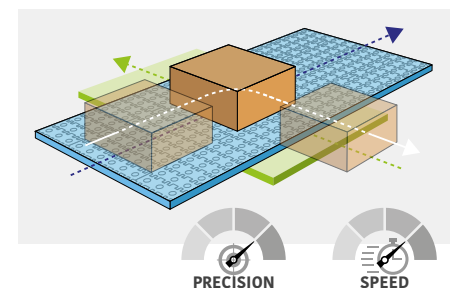
To get a completely straight exit, **the directional belt must be activated when 553 FlexTop is not running.**

Inclined exit



To get a 45° inclined direction, the **speed of the directional belt must be the same** as the speed of the 553 FlexTop and they have to work contemporary.

Curved exit



To get a straight exit without losing relatively too much time, the **directional belt can be activated also when the 553 FlexTop is running, while is reducing speed.**

The combination of the two speeds will determine the exit curve dimension.

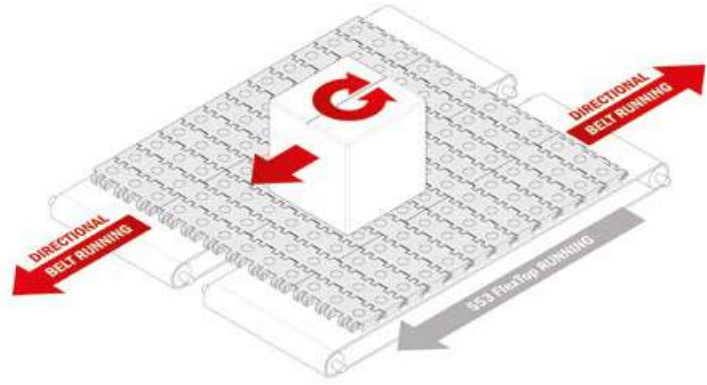
553 Sorter⁺

Dynamic turn

Equipped with two directional belts underneath the 553 FlexTop belt running at opposite direction, the Sorter plus - dynamic turn will let your products start rotating.

This configuration is ideal to turn products in high-speed production lines that can be handled without stopping the 553 FlexTop belt.

The distance of the rotation depends by the combination of the 3 different speeds.



These codes mean complete stainless steel conveyor, except floor supports and gearmotor, if you need to include them please see page 71.

For painted steel versions just add "S" at the end of the Article-Nr.

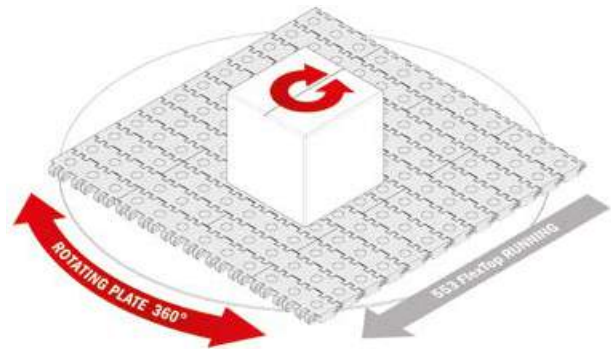
Conveyor Width	Belt Width	Conveyor Length				
		600mm	800mm	1000mm	1200mm	1400mm
390mm	381mm	W0390L0600-DT	W0390L0800-DT	-	-	-
470mm	457,2mm	W0470L0600-DT	W0470L0800-DT	W0470L1000-DT	-	-
545mm	533,4mm	W0545L0600-DT	W0545L0800-DT	W0545L1000-DT	-	-
620mm	609,6mm	-	W0620L0800-DT	W0620L1000-DT	W0620L1200-DT	-
695mm	685,8mm	-	W0695L0800-DT	W0695L1000-DT	W0695L1200-DT	-
770mm	762mm	-	W0770L0800-DT	W0770L1000-DT	W0770L1200-DT	-
850mm	838,2mm	-	-	W0850L1000-DT	W0850L1200-DT	W0850L1400-DT
925mm	914,4mm	-	-	W0925L1000-DT	W0925L1200-DT	W0925L1400-DT
1000mm	990,6mm	-	-	-	W1000L1200-DT	W1000L1400-DT

553 Sorter⁺

Static turn

Equipped with one rotating plate underneath the 553 FlexTop belt, the Sorter plus - static turn will let your products start rotating.

This configuration is ideal to turn products with high-precision and they have to be handled while the 553 FlexTop belt is not running.



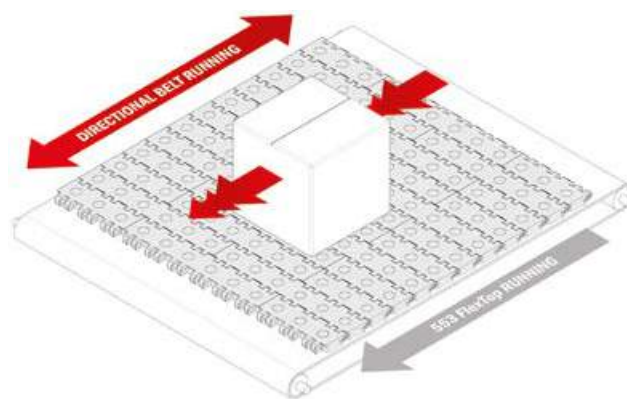
These codes mean complete stainless steel conveyor, except floor supports and gearmotor, if you need to include them please see page 71.

For painted steel versions just add "S" at the end of the Article-Nr.

Conveyor Width	Belt Width	Conveyor Length				
		600mm	800mm	1000mm	1200mm	1400mm
390mm	381mm	W0390L0600-ST	W0390L0800-ST	-	-	-
470mm	457,2mm	W0470L0600-ST	W0470L0800-ST	W0470L1000-ST	-	-
545mm	533,4mm	W0545L0600-ST	W0545L0800-ST	W0545L1000-ST	-	-
620mm	609,6mm	-	W0620L0800-ST	W0620L1000-ST	W0620L1200-ST	-
695mm	685,8mm	-	W0695L0800-ST	W0695L1000-ST	W0695L1200-ST	-
770mm	762mm	-	W0770L0800-ST	W0770L1000-ST	W0770L1200-ST	-
850mm	838,2mm	-	-	W0850L1000-ST	W0850L1200-ST	W0850L1400-ST
925mm	914,4mm	-	-	W0925L1000-ST	W0925L1200-ST	W0925L1400-ST
1000mm	990,6mm	-	-	-	W1000L1200-ST	W1000L1400-ST

553 Sorter⁺ Speed

Equipped with one directional belt underneath the 553 FlexTop belt running at same or opposite direction of the 553 FlexTop belt, the Sorter plus speed can accelerate or decelerate your products. This configuration is ideal to space your products without the need of having an additional conveyor.



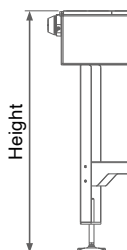
These codes mean complete stainless steel conveyor, except floor supports and gearmotor, if you need to include them please see page 71.

For painted steel versions just add "S" at the end of the Article-Nr.

Conveyor Width	Belt Width	Conveyor Length				
		600mm	800mm	1000mm	1200mm	1400mm
390mm	381mm	W0390L0600-S	W0390L0800-S	-	-	-
470mm	457,2mm	W0470L0600-S	W0470L0800-S	W0470L1000-S	-	-
545mm	533,4mm	W0545L0600-S	W0545L0800-S	W0545L1000-S	-	-
620mm	609,6mm	-	W0620L0800-S	W0620L1000-S	W0620L1200-S	-
695mm	685,8mm	-	W0695L0800-S	W0695L1000-S	W0695L1200-S	-
770mm	762mm	-	W0770L0800-S	W0770L1000-S	W0770L1200-S	-
850mm	838,2mm	-	-	W0850L1000-S	W0850L1200-S	W0850L1400-S
925mm	914,4mm	-	-	W0925L1000-S	W0925L1200-S	W0925L1400-S
1000mm	990,6mm	-	-	-	W1000L1200-S	W1000L1400-S

553 Sorter+

Floor support



- Stainless steel AISI 304 or painted steel
- Single or double floor fixation levlers
- Customizable height and specifications



Article Nr.	Conveyor Width - mm	Total Height - mm
W0390H	390	1000
W0470H	470	1000
W0545H	545	1000
W0620H	620	1000
W0695H	695	1000
W0770H	770	1000
W0850H	850	1000
W0925H	925	1000
W1000H	1000	1000

For different heights or custom specification please contact your sales representative.
For painted steel versions, just add "S" at the end of the Article-Nr.

553 Sorter+

Gearmotor

SEW Gearmotors

- Foodgrade oil
- Power 0,37kW – type WA30 DRN71M4
- Internal shaft position (no cable supplied)



Article Nr.	Power
M090-S/I	0,37kW

BONFIGLIOLI Gearmotors

- Power 0,37kW – type BN 71B 4 B14 KW 0,37
- Internal shaft position (no cable supplied)



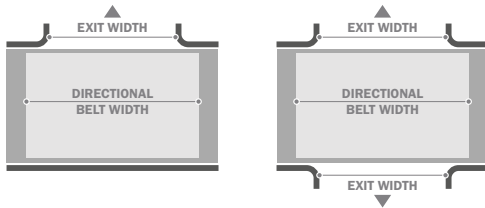
Article Nr.	Power
M090L-S/I	0,37kW

For different gearmotors please contact your sales representative

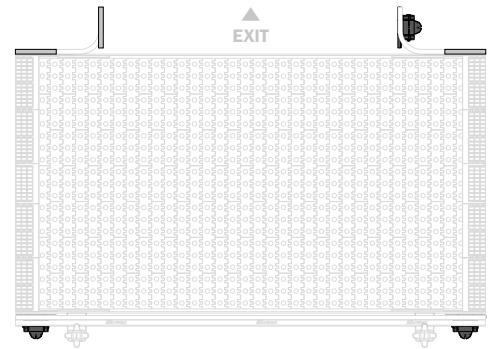
SEW and BONFIGLIOLI are believed to be the trademarks and/or trade names of their respective owners and are not owned or controlled by Movex S.p.A.

553 Sorter+

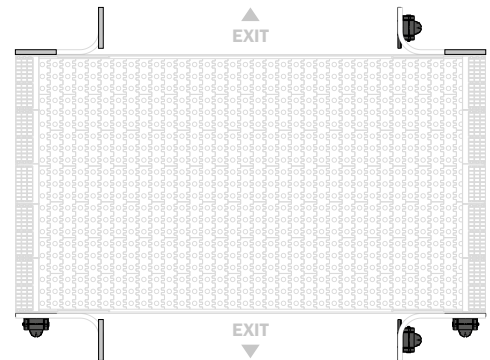
Photocells



Conveyor Length	Directional belt Width	Available exit Width	Photocells Single exit	Photocells Double exit
600mm	400mm	400mm	L0600-SE0400	L0600-DE0400
800mm	600mm	400mm	L0800-SE0400	L0800-DE0400
		600mm	L0800-SE0600	L0800-DE0600
1000mm	800mm	400mm	L1000-SE0400	L1000-DE0400
		600mm	L1000-SE0600	L1000-DE0600
		800mm	L1000-SE0800	L1000-DE0800
1200mm	1000mm	600mm	L1200-SE0600	L1200-DE0600
		800mm	L1200-SE0800	L1200-DE0800
		1000mm	L1200-SE1000	L1200-DE1000
1400mm	1200mm	800mm	L1400-SE0800	L1400-DE0800
		1000mm	L1400-SE1000	L1400-DE1000
		1200mm	L1400-SE1200	L1400-DE1200



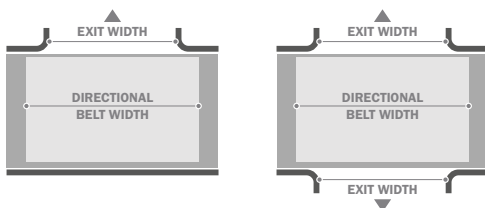
Configuration for single exit option.



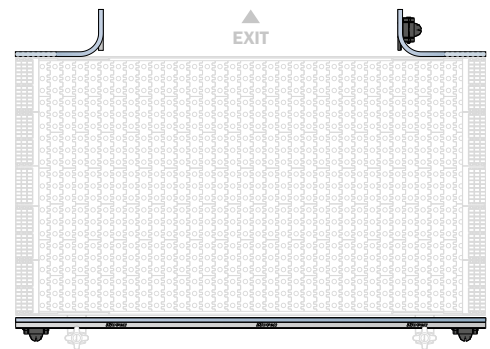
Configuration for double exit option.

553 Sorter+

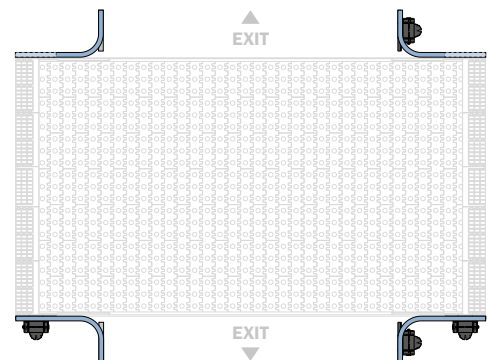
Photocells and *BluLub*® guides



Conveyor Length	Directional belt Width	Available exit Width	Photocells/guides Single exit	Photocells/guides Double exit
600mm	400mm	400mm	L0600-SE0400K	L0600-DE0400K
800mm	600mm	400mm	L0800-SE0400K	L0800-DE0400K
		600mm	L0800-SE0600K	L0800-DE0600K
1000mm	800mm	400mm	L1000-SE0400K	L1000-DE0400K
		600mm	L1000-SE0600K	L1000-DE0600K
		800mm	L1000-SE0800K	L1000-DE0800K
1200mm	1000mm	600mm	L1200-SE0600K	L1200-DE0600K
		800mm	L1200-SE0800K	L1200-DE0800K
		1000mm	L1200-SE1000K	L1200-DE1000K
1400mm	1200mm	800mm	L1400-SE0800K	L1400-DE0800K
		1000mm	L1400-SE1000K	L1400-DE1000K
		1200mm	L1400-SE1200K	L1400-DE1200K

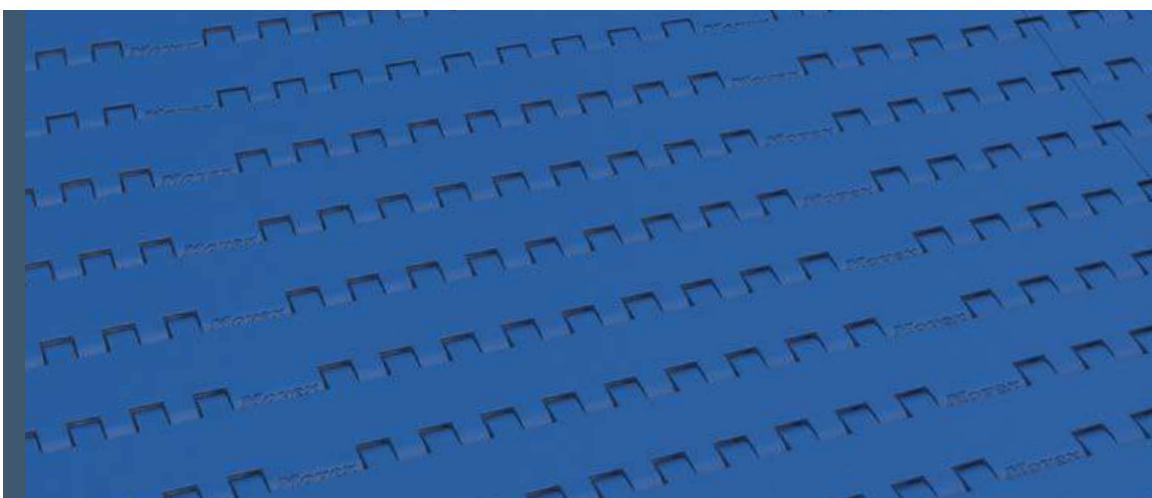


Configuration for single exit option.



Configuration for double exit option.

QUOTE MODULES



ZERO CONTACT
ZERO CONTACT S
ZERO CONTACT FLAT EDGE
ZERO CONTACT HYGIENIC
ZERO CONTACT PRO
SORTER+

ZERO CONTACT

CURVE CONVEYOR

Company	
Sales contact	
Contact	
Date	

Technical features	Please circle required input or fill the proper field							
Radius - mm (in)	600 (23.6)	800 (31.5)	1000 (39.4)	1200 (47.2)	1400 (55.1)	1600 (63)	1800 (70.9)	2000 (78.7)
Width - mm (in)	200 (7.9)	400 (15.7)	600 (23.6)	800 (31.5)	1000 (39.4)	1200 (47.2)	1400 (55.1)	1600 (63)
Angle	90°			180°			Different:	
Direction	Right (clockwise)				Left (counter clockwise)			
Gearmotor position	Internal				External			
Transfer plates	Plastic with stainless steel rollers				Stainless steel with stainless steel rollers			
Gearmotor *	No	Yes	SEW	Different shaft for:				
Floor supports height - mm (in)	No	Yes	1000+/-75 (39.4+/-3.0)	Different:				
ZeroATP - mm (in) **	No	Yes	Infeed	Outfeed		250 (9.8)	500 (19.7)	

* For a different gearmotor, please fill with type and model, we will provide a quotation with the proper machined shaft

** In case of ZeroATP selected, standard transfers will not be included (based on sides selected)



ZeroATP Pro **	
No	Yes

Type of product	
Product dimensions (mm)	
Weight per linear meter (Kg/m)	
Belt Speed	
Number of tracks per products	

Double check here if your combination Radius/Width is available

W/R	600 (23.6)	800 (31.5)	1000 (39.4)	1200 (47.2)	1400 (55.1)	1600 (63)	1800 (70.9)	2000 (78.7)
200 (7.9)								
400 (15.7)								
600 (23.6)								
800 (31.5)								
1000 (39.4)								
1200 (47.2)								
1400 (55.1)								
1600 (63)								



Example of module filled

Technical features	Please circle required input or fill the proper field							
Radius - mm (Inch)	600 (23.6)	800 (31.5)	1000 (39.4)	1200 (47.2)	1400 (55.1)	1600 (63)	1800 (70.9)	2000 (78.7)
Width - mm (Inch)	200 (7.9)	400 (15.7)	600 (23.6)	800 (31.5)	1000 (39.4)	1200 (47.2)	1400 (55.1)	1600 (63)
Angle	90°			180°			Different:	
Direction	Right (clockwise)				Left (counter clockwise)			
Gearmotor position	Internal				External			
Transfer plates	Plastic with stainless steel rollers				Stainless steel with stainless steel rollers			
Painted steel frames	Blue Grey RAL 7031				Different (specify the RAL):			
Bottom safety cover	Yes				No			
Gearmotor *	No	Yes	SEW	Different shaft for:				
Floor supports height - mm (Inch)	No	Yes	1000+/-75 (39.4+/-3.0)	Different:				
ZeroATP - mm (Inch) **	No	Yes	Infeed	Outfeed		250 (9.8)	500 (19.7)	

ZERO CONTACT S

CURVE CONVEYOR

Company	
Sales contact	
Contact	
Date	

Technical features	Please circle required input or fill the proper field							
Radius - mm (in)	600 (23.6)	800 (31.5)	1000 (39.4)	1200 (47.2)	1400 (55.1)	1600 (63)	1800 (70.9)	2000 (78.7)
Width - mm (in)	200 (7.9)	400 (15.7)	600 (23.6)	800 (31.5)	1000 (39.4)	1200 (47.2)	1400 (55.1)	1600 (63)
Angle	90°			180°			Different:	
Direction	Right (clockwise)				Left (counter clockwise)			
Gearmotor position	Internal				External			
Transfer plates	Plastic with stainless steel rollers				No			
Painted steel frames	Blue Grey RAL 7031				Different (specify the RAL):			
Bottom safety cover	Yes				No			
Gearmotor *	No	Yes	BONFIGLIOLI	Different shaft for:				
Floor supports height - mm (in)	No	Yes	1000+/-75 (39.4+/-3.0)	Different:				
ZeroATP - mm (in) **	No	Yes	Infeed	Outfeed		250 (9.8)	500 (19.7)	

* In case of different gearmotor, please provide model and type name and we will quote a curve with required machined shaft

** In case of ZeroATP, standard transfers plates will not be included (based on the side selected)



ZERO^{PRO}ATP
ACTIVE TRANSFER PLATE

ZeroATP Pro **	
No	Yes

Type of product	
Product dimensions (mm)	
Weight per linear meter (Kg/m)	
Belt Speed	
Number of tracks per products	

Double check here if your combination Radius/Width is available

W/R	600 (23.6)	800 (31.5)	1000 (39.4)	1200 (47.2)	1400 (55.1)	1600 (63)	1800 (70.9)	2000 (78.7)
200 (7.9)								
400 (15.7)								
600 (23.6)								
800 (31.5)								
1000 (39.4)								
1200 (47.2)								
1400 (55.1)								
1600 (63)								

Example of module filled



Technical features	Please circle required input or fill the proper field							
Radius - mm (inch)	600 (23.6)	800 (31.5)	1000 (39.4)	1200 (47.2)	1400 (55.1)	1600 (63)	1800 (70.9)	2000 (78.7)
Width - mm (inch)	200 (7.9)	400 (15.7)	600 (23.6)	800 (31.5)	1000 (39.4)	1200 (47.2)	1400 (55.1)	1600 (63)
Angle	90°			180°			Different:	
Direction	Right (clockwise)				Left (counter clockwise)			
Gearmotor position	Internal				External			
Transfer plates	Plastic with stainless steel rollers				No			
Painted steel frames	Blue Grey RAL 7031				Different (specify the RAL):			
Bottom safety cover	Yes				No			
Gearmotor *	No	Yes	BONFIGLIOLI	Different shaft for:				
Floor supports height - mm (inch)	No	Yes	1000+/-75 (39.4+/-3.0)	Different:				
ZeroATP - mm (inch) **	No	Yes	Infeed	Outfeed		250 (9.8)	500 (19.7)	

ZERO CONTACT FLAT EDGE QUOTE MODULE

Soluzioni modulari / Modular solutions / Modulare Lösungen

For different configuration please contact your sales representative.

ZERO CONTACT

CURVE CONVEYOR
BI-DIRECTIONAL

Company	
Sales contact	
Contact	
Date	

Technical features	Please circle required input or fill the proper field							
Radius - mm (in)	600 (23.6)	800 (31.5)	1000 (39.4)	1200 (47.2)	1400 (55.1)	1600 (63)	1800 (70.9)	2000 (78.7)
Width - mm (in)	200 (7.9)	400 (15.7)	600 (23.6)	800 (31.5)	1000 (39.4)	1200 (47.2)	1400 (55.1)	1600 (63)
Angle	90°			180°			Different:	
Drive	Central							
Gearmotor position	Internal							
Transfer plates	Plastic with stainless steel rollers				Stainless steel with stainless steel rollers			
Gearmotor *	No	Yes	SEW	Different shaft for:				
Floor supports height - mm (in)	No	Yes	1000+/-75 (39.4+/-3.0)	Different:				
ZeroATP - mm (in) **	No	Yes	Infeed	Outfeed			250 (9.8)	500 (19.7)

* For a different gearmotor, please fill with type and model, we will provide a quotation with the proper machined shaft

** In case of ZeroATP selected, standard transfers will not be included (based on sides selected)



ZeroATP Pro **	
No	Yes

Type of product	
Product dimensions (mm)	
Weight per linear meter (Kg/m)	
Belt Speed	
Number of tracks per products	

Double check here if your combination Radius/Width is available

W/R	600 (23.6)	800 (31.5)	1000 (39.4)	1200 (47.2)	1400 (55.1)	1600 (63)	1800 (70.9)	2000 (78.7)
200 (7.9)								
400 (15.7)								
600 (23.6)								
800 (31.5)								
1000 (39.4)								
1200 (47.2)								
1400 (55.1)								
1600 (63)								



Example of module filled

Technical features	Please circle required input or fill the proper field							
Radius - mm (Inch)	600 (23.6)	800 (31.5)	1000 (39.4)	1200 (47.2)	1400 (55.1)	1600 (63)	1800 (70.9)	2000 (78.7)
Width - mm (Inch)	200 (7.9)	400 (15.7)	600 (23.6)	800 (31.5)	1000 (39.4)	1200 (47.2)	1400 (55.1)	1600 (63)
Angle	90°			180°			Different:	
Drive	Central							
Gearmotor position	External							
Transfer plates	Plastic with stainless steel rollers				No			
Painted steel frames	Blue Grey RAL 7031				Different (specify the RAL):			
Bottom safety cover	No							
Gearmotor *	No	Yes	SEW	Different shaft for:				
Floor supports height - mm (Inch)	No	Yes	1000+/-75 (39.4+/-3.0)	Different:				
ZeroATP - mm (Inch) **	No	Yes	Infeed	Outfeed			250 (9.8)	500 (19.7)

ZERO CONTACT HYGIENIC QUOTE MODULE

For different configuration please contact your sales representative.

Soluzioni modulari / Modular solutions / Modulare Lösungen

ZER⁵²⁰CONTACT^H

CURVE CONVEYOR

Company	
Sales contact	
Contact	
Date	

Technical features	Please circle required input or fill the proper field							
Radius - mm (in)	600 (23.6)	800 (31.5)	1000 (39.4)	1200 (47.2)	1400 (55.1)	1600 (63)	1800 (70.9)	2000 (78.7)
Width - mm (in)	200 (7.9)	400 (15.7)	600 (23.6)	800 (31.5)	1000 (39.4)	1200 (47.2)	1400 (55.1)	1600 (63)
Angle	90°			180°			Different:	
Direction	Right (clockwise)				Left (counter clockwise)			
Gearmotor position	Internal				External			
Transfer plates	No	Plastic with stainless steel rollers			Stainless steel with stainless steel rollers			
Gearmotor *	No	Yes	SEW	Different shaft for:				
Floor supports height - mm (in)	No	Yes	1000+/-75 (39.4+/-3.0)	Different:				
ZeroATP - mm (in) **	No	Yes	Infeed	Outfeed		250 (9.8)	500 (19.7)	

* For a different gearmotor, please fill with type and model, we will provide a quotation with the proper machined shaft

** In case of ZeroATP selected, standard transfers will not be included (based on sides selected)



ZER^{PRO}ATP
ACTIVE TRANSFER PLATE

ZeroATP Pro **	
No	Yes

Type of product	
Product dimensions (mm)	
Weight per linear meter (Kg/m)	
Belt Speed	
Number of tracks per products	

Double check here if your combination Radius/Width is available

W/R	600 (23.6)	800 (31.5)	1000 (39.4)	1200 (47.2)	1400 (55.1)	1600 (63)	1800 (70.9)	2000 (78.7)
200 (7.9)								
400 (15.7)								
600 (23.6)								
800 (31.5)								
1000 (39.4)								
1200 (47.2)								
1400 (55.1)								
1600 (63)								



Example of module filled

Technical features	Please circle required input or fill the proper field							
Radius - mm (inch)	600 (23.6)	800 (31.5)	1000 (39.4)	1200 (47.2)	1400 (55.1)	1600 (63)	1800 (70.9)	2000 (78.7)
Width - mm (inch)	200 (7.9)	400 (15.7)	600 (23.6)	800 (31.5)	1000 (39.4)	1200 (47.2)	1400 (55.1)	1600 (63)
Angle	90°			180°			Different:	
Direction	Right (clockwise)				Left (counter clockwise)			
Gearmotor position	Internal				External			
Transfer plates	No	Plastic with stainless steel rollers			Stainless steel with stainless steel rollers			
Painted steel frames	Blue Grey RAL 7031				Different (specify the RAL):			
Bottom safety cover	Yes				No			
Gearmotor *	No	Yes	BONFIGLIOLI	Different shaft for:				
Floor supports height - mm (inch)	No	Yes	1000+/-75 (39.4+/-3.0)	Different:				
ZeroATP - mm (inch) **	No	Yes	Infeed	Outfeed		250 (9.8)	500 (19.7)	

ZERO CONTACT

CURVE CONVEYOR

Company	
Sales contact	
Contact	
Date	

Technical features	Please circle required input or fill the proper field								
Radius - mm (in)	586 (23.1)	756 (29.8)	1011 (39.8)	1031 (40.6)	1116 (43.9)	1201 (47.3)	1286 (50.6)	1456 (57.3)	1541 (60.7)
Width - mm (in)	249 (9.8)	269 (10.6)	419 (16.5)	439 (17.3)	504 (19.8)	524 (20.6)	864 (34)	1034 (40.7)	
Angle	90°			180°			Different:		
Direction	Right (clockwise)				Left (counter clockwise)				
Version *	Standard				"Two-Tracks"				
Gearmotor position	Internal				External				
Transfer plates	Plastic with stainless steel rollers				Stainless steel with stainless steel rollers				
Gearmotor **	No	Yes	SEW	Different shaft for:					
Floor supports height - mm (in)	No	Yes	1000+/-75 (39.4+/-3.0)	Different:					
ZeroATP - mm (in) ***	No	Yes	Infeed	Outfeed	250 (9.8)	500 (19.7)			

* In case of "Two-Tracks" version, no need to fill Gearmotor position fields

** In case of different gearmotor, please provide model and type name and we will quote a curve with required machined shaft

*** In case of ZeroATP, standard transfers plates will not be included (based on the side selected)



TRY IT NOW!

ZERO ATP
ACTIVE TRANSFER PLATE

ZeroATP Pro ***	
No	Yes

Type of product	
Product dimensions (mm)	
Weight per linear meter (Kg/m)	
Belt Speed	
Number of tracks per products	

Double check here if your combination Radius/Width is available

W/R	586 (23.1)	756 (29.8)	1011 (39.8)	1031 (40.6)	1116 (43.9)	1201 (47.3)	1286 (50.6)	1456 (57.3)	1541 (60.7)
249 (9.8)									
269 (10.6)									
419 (16.5)									
439 (17.3)									
504 (19.8)									
524 (20.6)									
864 (34)									
1034 (40.7)									



Example of module filled

Technical features	Please circle required input or fill the proper field								
Radius - mm (Inch)	600 (23.6)	800 (31.5)	1000 (39.4)	1200 (47.2)	1400 (55.1)	1600 (63)	1800 (70.9)	2000 (78.7)	
Width - mm (Inch)	200 (7.9)	400 (15.7)	600 (23.6)	800 (31.5)	1000 (39.4)	1200 (47.2)	1400 (55.1)	1600 (63)	
Angle	90°			180°			Different:		
Direction	Right (clockwise)				Left (counter clockwise)				
Gearmotor position	Internal				External				
Transfer plates	Plastic with stainless steel rollers				No				
Painted steel frames	Blue Grey RAL 7031				Different (specify the RAL):				
Bottom safety cover	Yes				No				
Gearmotor *	No	Yes	BONFIGLIOLI	Different shaft for:					
Floor supports height - mm (Inch)	No	Yes	1000+/-75 (39.4+/-3.0)	Different:					
ZeroATP - mm (Inch) **	No	Yes	Infeed	Outfeed	250 (9.8)	500 (19.7)			

553 SORTER+ MULTIDIRECTIONAL CONVEYOR

Company	
Sales contact	
Contact	
Date	

Technical features	Please circle required input or fill the proper field								
Width - mm (in)	390 (15.4)	470 (18.5)	545 (21.5)	620 (24.4)	695 (27.4)	770 (30.3)	850 (33.5)	925 (36.4)	1000 (39.4)
Length - mm (in)	600 (23.6)		800 (31.5)		1000 (39.4)		1200 (47.2)		1400 (55.1)
Version	DIVERTER		DYNAMIC TURN			STATIC TURN		SPEED	
Exit width - mm (in)	400 (15.8)		600 (23.6)		800 (31.5)		1000 (39.4)		1200 (47.2)
Exit type - mm (in)	SINGLE				DOUBLE				
Accessories	No	Yes	Photo eyes			Photo eyes and Side guides			
Gearmotor *	No	Yes	SEW	BONFIGLIOLI	Different shaft for:				
Floor supports height - mm (in)	No	Yes	1000+/-75 (39.4+/-3.0)		Different:				

* For a different gearmotor, please fill with type and model, we will provide a quotation with the proper machined shaft

** In case of ZeroATP, standard transfers plates will not be included (based on the side selected)



ZeroATP Pro **	
No	Yes

Type of product	
Product dimensions (mm)	
Product weight (Kg)	
Belt Speed	
Capacity	
Product pitch	
Movement description	Sketch

Double check here if your combination Length/Width is available

W/R	600 (23.6)	800 (31.5)	1000 (39.4)	1200 (47.2)	1400 (55.1)
390 (15.35)					
470 (18.5)					
545 (21.45)					
620 (24.4)					
695 (27.36)					
770 (30.3)					
850 (33.46)					
925 (36.4)					
1000 (39.4)					

Example of module filled

Technical features	Please circle required input or fill the proper field								
Width - mm (in)	390 (15.4)	470 (18.5)	545 (21.5)	620 (24.4)	695 (27.4)	770 (30.3)	850 (33.5)	925 (36.4)	1000 (39.4)
Length - mm (in)	600 (23.6)		800 (31.5)		1000 (39.4)		1200 (47.2)		1400 (55.1)
Version	DIVERTER		DYNAMIC TURN			STATIC TURN		SPEED	
Exit width - mm (in)	400 (15.8)		600 (23.6)		800 (31.5)		1000 (39.4)		1200 (47.2)
Exit type - mm (in)	SINGLE				DOUBLE				
Accessories	No	Yes	Photo eyes			Photo eyes and Side guides			
Gearmotor *	No	Yes	SEW	BONFIGLIOLI	Different shaft for:				
Floor supports height - mm (in)	No	Yes	1000+/-75 (39.4+/-3.0)		Different:				



Movex® EXTRUSION CENTER

We extrude for your business.

Movex® is a dynamic and flexible business reality that have been active in the industrial production for over ten years and is reaching market leadership as a reliable and precise supplier, planning the future without losing sight of its history and the values that allow its growth.

All our products are tested by our quality control team; monitoring, performance analysis and control of all processes are our main priorities. We are strongly committed to providing our customers with the highest quality.

We meet our customers' needs for both standard and customized products in a dynamic and proactive environment.

>2.000
PROFILES
AVAILABLE

>50
EXTRUSION
MACHINES

>300
EXTRUSION
TOOLS





Choose the one that best suits you.

Movex® provides a new generation of high-performance profiles developed and produced with the most up to date technology. Experienced engineers work around the clock on more than 50 extrusion machines, perfecting almost 2.000 high-quality products of different types and sizes.

Movex® profiles are produced from top-quality **UHMW-PE**, with the possibility of enhanced performance with the use of our super-performing materials **BluLub®**, **Titanium White®** and **AS**.

Standard or customized extrusion...your choice.

Movex® is driven by the will to design and manufacture top quality items, combining technical performance and design, in order to offer its customers a tailor made service.

Beside of the standard available profiles, **Movex®** is also developing together with the customer innovative special solutions to offer “*the product you need when you need it*” against an attractive price.

We have organized a specific workflow, developed over the course of the last ten years, which aims to satisfy the requirements of even the most demanding buyer. Get in touch with us and ask a personalized quotation.

DESIGN DEPT



PACKAGING DEPT





BORN TO PERFORM

BluLub® is the Movex super-performance compounded Ultra High Molecular Weight Polyethylene material, with the latest generation of solid lubricants, able to contribute improving PV properties (limiting pressure velocity) compared to standard UHMW-PE, especially in applications with limited lubrication, higher speeds and/or higher loads.

BluLub® ensures high wear and abrasion resistance, requires less energy and with the lowest coefficient of friction, improves the product stability and wear life of sliding parts.



Low Friction

Lowest coefficient of friction compared to traditional materials.



High Performance

Extreme material performances with high speeds and loads.



Molecular density:
9,200,000 g/mol.

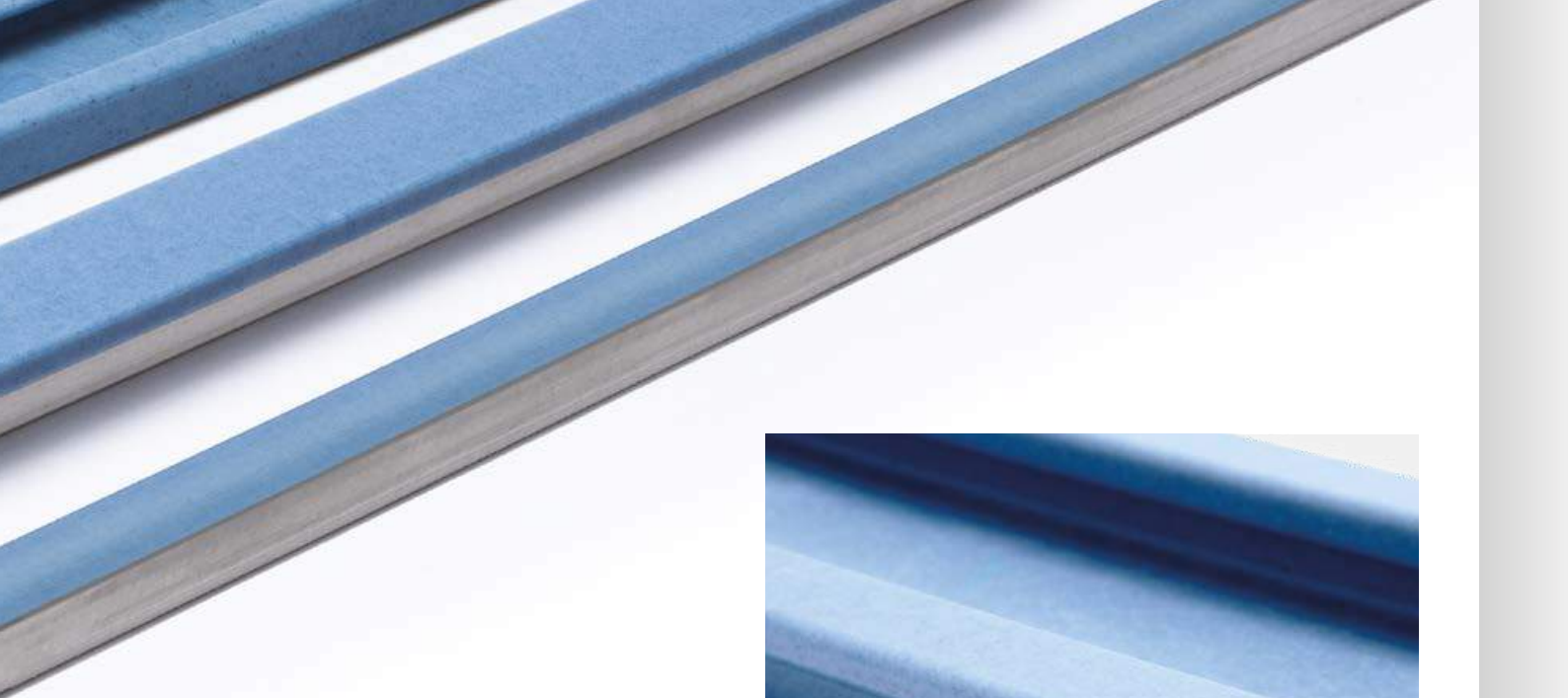


Operating temperature:
-40 to + 80°C (-40 to 176°F)



Linear expansion coefficient:
 $2 \times 10^{-4} \text{C}^{-1}$ ($1.1 \times 10^{-4} \text{F}^{-1}$)

FDA
APPROVED



Thanks to the unique **BluLub®** characteristics, all the extruded profiles can offer several advantages like longer wear life, minimized dust generation and extreme noise reduction. The recent test with the Technical University of Chemnitz, confirmed **BluLub®** being the best material available for dry running applications.

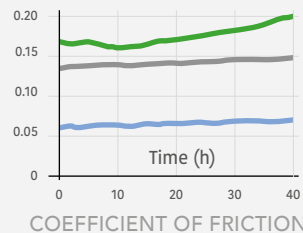
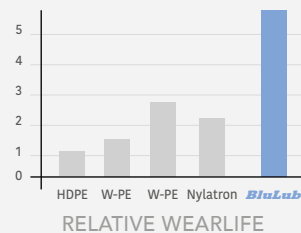
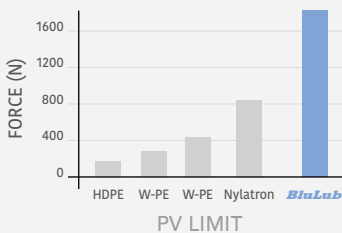


Your
SUSTAINABLE
choice.

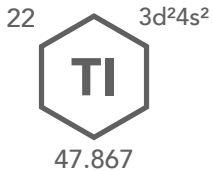


UP TO **80%**
ENERGY SAVING

With lowest coefficient of friction and optimized sliding properties of **BluLub®**, the conveying power required, thus the energy consumption, can be extremely reduced.



More advantages:
Long wear life
Low noise
Minimized dusting
Best Lubricant

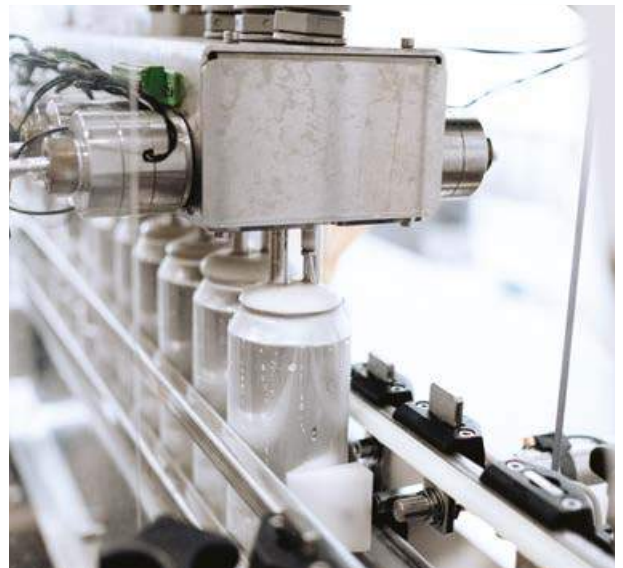


Titanium (WHITE)

High quality, BRIGHT WHITE extrusion.

The name **Titanium White®** refers to the special metal because it has comparable unique properties, like high strength and optimum performance, generating low friction, absorbing heat and reducing energy consumption.

Thanks to the **Titanium White®** characteristics, the extruded profiles are made of an intense white UHMW-PE, resulting in a smoother surface and devoid of push marks, meaning in a minimized power consumption and possible goods defect. It has also an improved UV and aging resistance and a high chemical resistance.



UP TO **50%**

**IMPROVED
RESISTANCE**

COMPARISON WITH UHMW-PE



Molecular density:
9,200,000 g/mol.



Operating temperature:
-40 to + 80°C (-40 to 176°F)



Linear expansion coefficient:
 $2 \times 10^{-4} \text{ } ^\circ\text{C}^{-1}$ ($1.1 \times 10^{-4} \text{ } ^\circ\text{F}^{-1}$)




FDA
APPROVED

UHMW-PE

Standard profiles are all made with a first-rate **UHMW-PE** polyethylene, a thermoplastic polymer with a variable crystalline structure with a vast range of applications.

UHMW-PE is available in several colors and lengths. It's the perfect choice to reach your line performance against an attractive price.






-  Molecular density: **5,600,000 g/mol.**
-  Operating temperature: **-40 to + 80°C (-40 to 176°F)**
-  Linear expansion coefficient: **$2 \times 10^{-4} \text{°C}^{-1}$ ($1.1 \times 10^{-4} \text{°F}^{-1}$)**

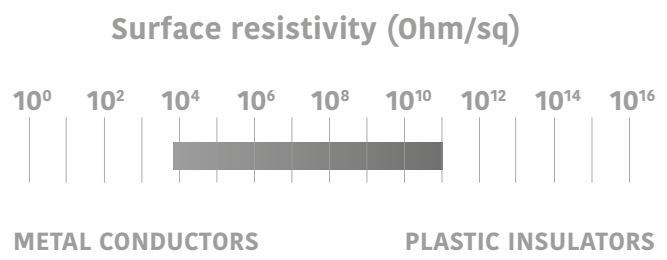


AS Antistatic

Plastic packaging and PET bottles can generate high levels of static buildup.

Static dissipative profiles are plastics designed to reduce static electricity in order to protect electrostatic-sensitive devices or contain flammable liquids or gases.

-  Molecular density: **5,600,000 g/mol.**
-  Operating temperature: **-40 to + 80°C (-40 to 176°F)**
-  Linear expansion coefficient: **$2 \times 10^{-4} \text{°C}^{-1}$ ($1.1 \times 10^{-4} \text{°F}^{-1}$)**



HIGH QUALITY SIDE GUIDES

Made with ram extrusion technology and new patented process.

The Movex side guides, extruded with RAM extrusion technology, are the perfect choice to improve the conveyor performances. Thanks to a new patented and innovative production process, we have further enhanced our range of profiles, improving performance and reducing the dust creation.

These profiles are available with height from 50 to 170 mm, and with many different shapes and types (with clamping system or label saver), and can also be extruded with our unique materials **BluLub®** and **Titanium White®**, providing unparalleled performance and reliability.

KEY BENEFITS

compared to traditional extrusion technique:

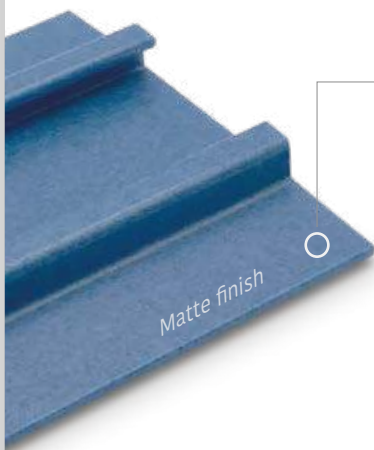
- Best efficiency • Increased wall thickness
- Superior flatness • Improved sliding properties
- Reduced product damage • Smoother shape
- Less dust/powder • Improved superficial texture
- High-level quality standards



Vertical RAM extrusion



BluLub® side guide rail



Matte finish

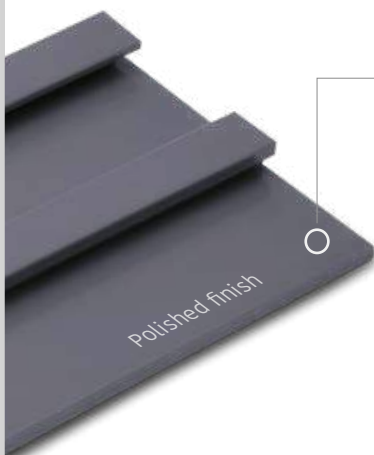


9.200.000
g/mol



BluLub® Side guides

MADE WITH RAM TECHNOLOGY



Polished finish



500.000
g/mol



HDPE Side guides

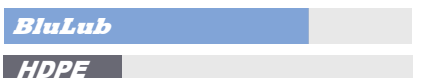
TRADITIONAL IN THE MARKET
SCREW EXTRUSION PROCESS (COMPETITOR MATERIAL)

WEAR TEST RESULTS

Friction



Wear life



TCO



RS SIDE GUIDE RAIL

Easy and modular replacement label saver system.

RS Side guide profile is a development which enable you to simplify your business! Thanks to the replaceable wear-strip in **BluLub®**, **RS Side guide profile** can reduce total cost of ownership: in case of required maintenance, only **BluLub®** strips can be replaced, saving time at a lower cost.

Different profiles are available from stock and can be mounted in different ways to optimize the support of your product according to the specific needs.



Increased performance

BluLub® wearstrips contribute to a lower friction which results in less energy consumption.



Fast and easy maintenance

Thanks to its innovative design, the easy replaceable **BluLub® wearstrips** meets the needs to reduce maintenance time.



Interchangeable wearstrip

Every **BluLub® wearstrip** has the same fixing system, this makes all versions interchangeable. In case of required replacement, wearstrips can be ordered as coiled spare parts.



No gap between connection

BluLub® wearstrip allows you to connect two or more different base profiles with no gap, by simply slide it in.

The right choice for:

- Innovative equipment
- Total cost reduction
- Less energy consumption
- Improved product stability

RS Side guide rail profiles are available in various executions.

Materials:

- Base profile: **UHMW-PE** (see details).
- Label saver: **BluLub®** polyethylene UHMW-PE with molecular density 9,200,000 g/mo. with reduced coefficient of friction and higher wear resistance and its complies with the code of Federal Regulations of FDA (see details).

Movex[®] PROFILE TEST

Technische universität CHEMNITZ.



TECHNISCHE UNIVERSITÄT
CHEMNITZ

The following graphics show the test results obtained with a cooperation with the Technical University of Chemnitz, which analysed the coefficient of friction and the wear values of the Movex profiles (BluLub, Ti-White and UHMPWPE) in combination with our main plastic chain materials (LF and PFX) and cans and PET bottles.

A dedicated setup shown in the following pictures have been studied, in order to represent the reality as much as possible (it must be considered that, being a test environment, many factors could not be considered, e.g. temperature, dirt, cycling operations).

In general, it can be seen that the friction values are below 0.15 in all tests for BluLub and Titanium White, i.e., the pairings consistently exhibit very good sliding behaviour. For UHMW-PE and HDPE the values show clearly different performances.

The LF chain produced the expected results with the drop in friction values from dry running to water lubrication to lubricant. It is noticeable that significantly lower friction values were measured with water and lubricant compared to PFX chain. With the PFX chain, the phenomenon also occurs that the friction values with water lubrication are noticeably higher than those with dry running.

For dry conditions, BluLub and PFX combination offers the best performances, even if the combination of Titanium White and LF is not that far away; the main differences between the two combinations is shown in the wear graphs.

Another clear difference (which is not analysed in this report, as was not the scope of it) is the carried product stability; in fact, the coefficient of frictions of PFX and LF are very different (more information on the Movex general catalog).

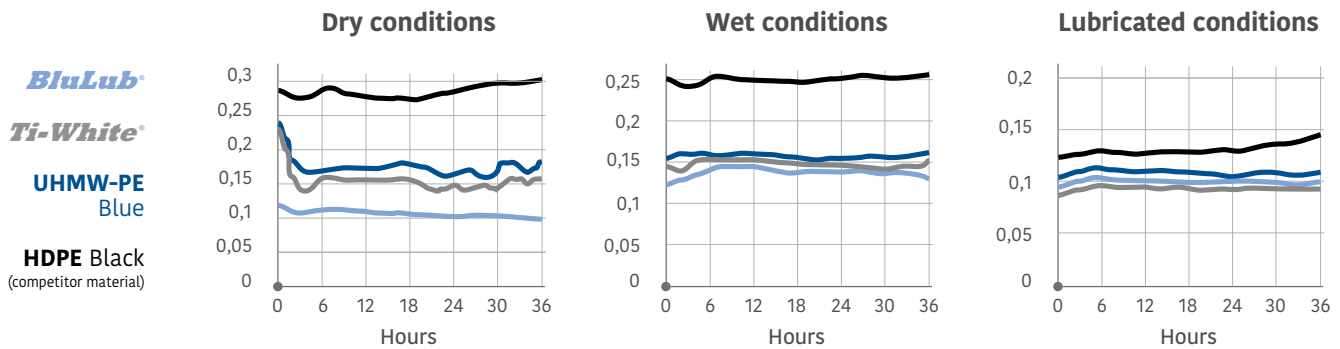
In water condition it is evident that LF in combination with Ti-White offers the best performance. For the complete report, please ask to your sales representative.



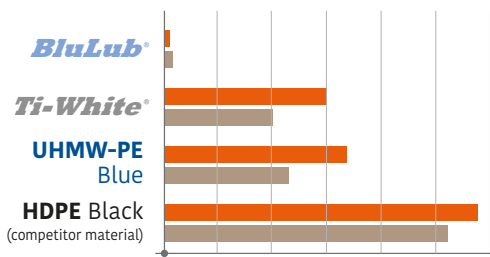
Friction values (averaged between 30 and 36 hours running time)

Conveyor test	Dry		Wet		Lubricated	
	PFX	LF	PFX	LF	PFX	LF
BluLub®	0,100	0,119	0,137	0,094	0,096	0,061
Ti-White®	0,153	0,104	0,142	0,064	0,094	0,066
UHMW-PE Blue	0,171	0,128	0,159	0,078	0,105	0,090
HDPE Black (competitor material)	0,275	0,205	0,25	0,18	0,160	0,161

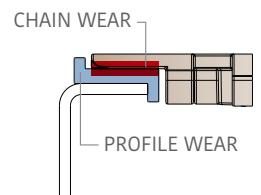
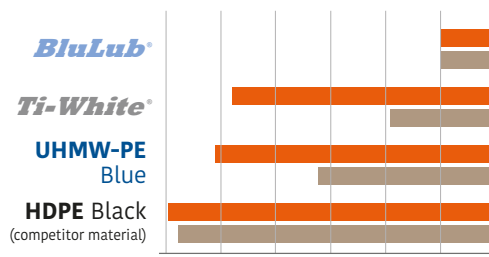
Measured value curves chain material PFX



Chain wear values

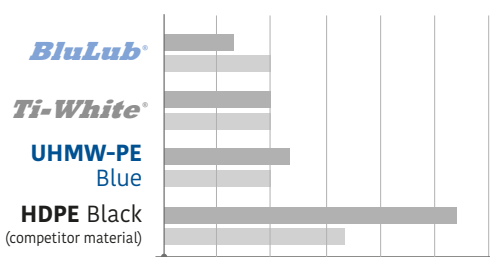


Profile wear values

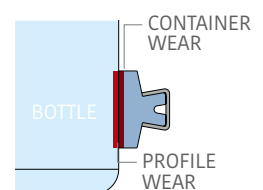
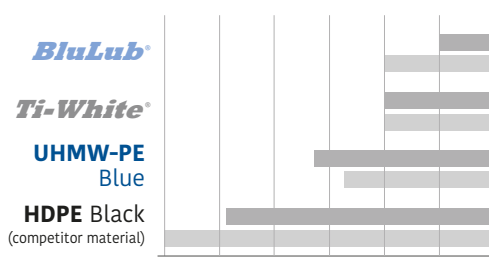


LEGEND: ● PFX | ● LF

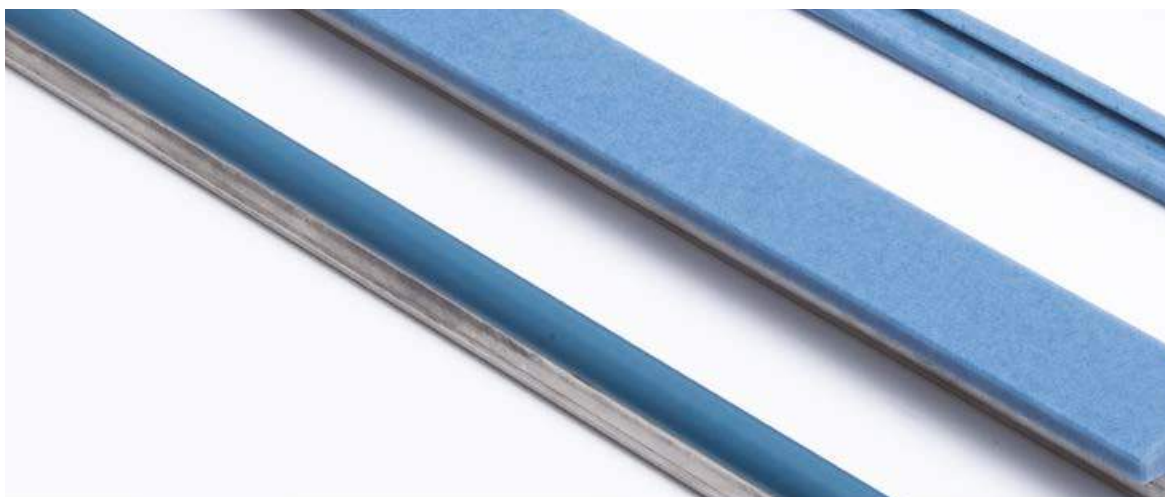
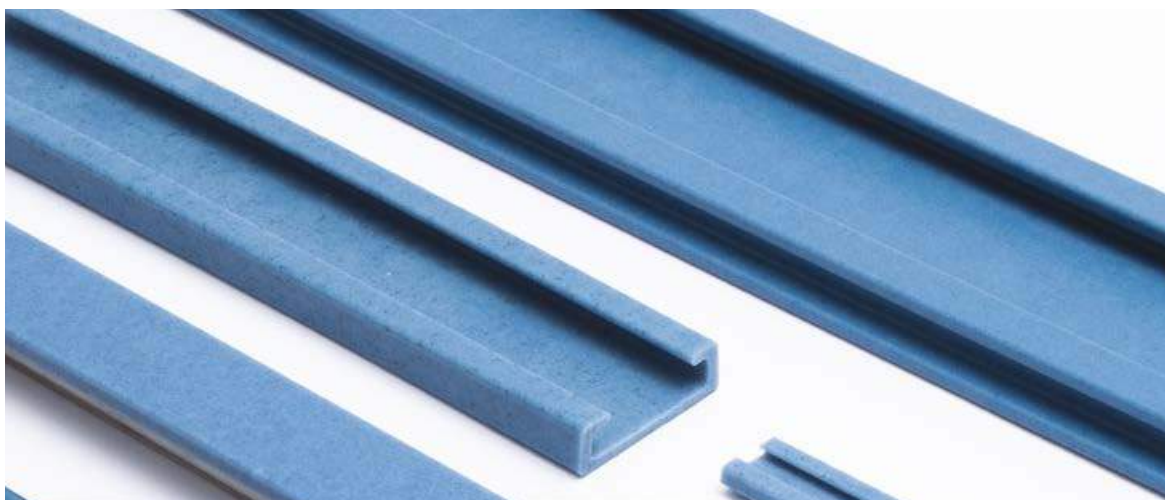
Container wear values



Profile wear values



LEGEND: ● PET | ● CAN



16

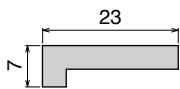
This catalog contains only a limited selection of all the products available at Movex S.p.A.
For a complete overview, please visit our website or contact your sales representative.

Extruded profiles

L-Profile

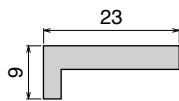
See product page for specific details and materials available.

1094



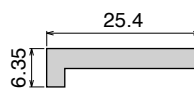
Pag 101

175



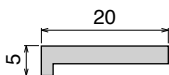
Pag 101

1038



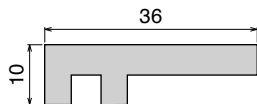
Pag 101

150



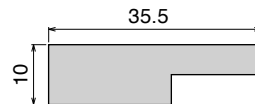
Pag 101

1058



Pag 102

174

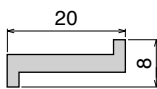


Pag 102

Z-Profile

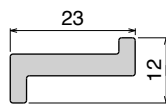
See product page for specific details and materials available.

101



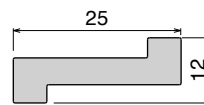
Pag 102

102



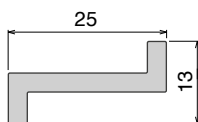
Pag 102

102



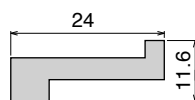
Pag 103

1116



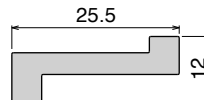
Pag 103

176



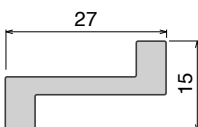
Pag 103

1074



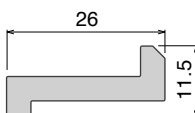
Pag 103

1117



Pag 104

1118



Pag 104

Material Info:

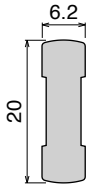


pg. 82>89

Special shape

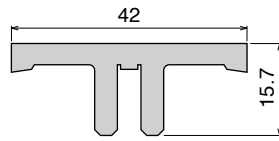
See product page for specific details and materials available.

107



Pag 104

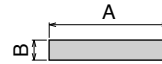
108



Pag 104

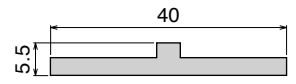
105

A: 20/25/30/40/50/60/70/100
B: 3/5



Pag 105

106

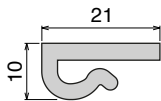


Pag 105

J-Profile

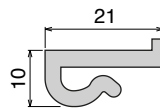
See product page for specific details and materials available.

103 Fit on 2,5 to 3,5 mm



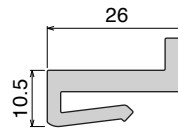
Pag 106

104 Fit on 2,5 to 3,5 mm



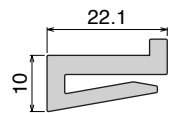
Pag 106

179 Fit on 2,5 to 3,5 mm



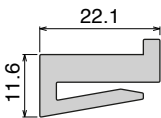
Pag 106

1014 Fit on 3 mm



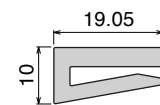
Pag 106

1015 Fit on 2,5 to 3,5 mm



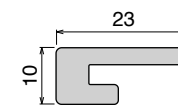
Pag 107

1016 Fit on 3 mm



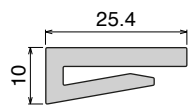
Pag 107

1112



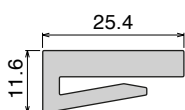
Pag 107

1017 Fit on 3 mm



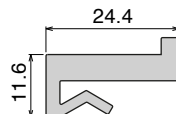
Pag 108

1018 Fit on 3 mm



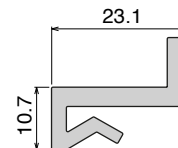
Pag 108

1019 Fit on 3 mm



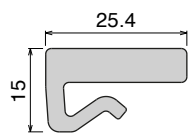
Pag 108

1020 Fit on 3 mm



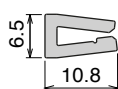
Pag 109

1091 Fit on 3 mm



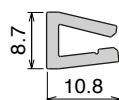
Pag 109

1068 Fit on 2,5 mm



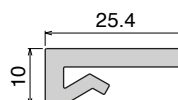
Pag 109

1090 Fit on 3 mm



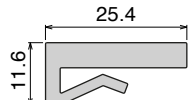
Pag 109

1021 Fit on 3 mm



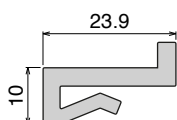
Pag 110

1022 Fit on 3 mm



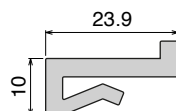
Pag 110

1023 Fit on 3 mm



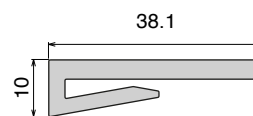
Pag 110

1024 Fit on 3 mm



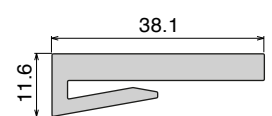
Pag 111

1025 Fit on 3 mm



Pag 111

1026 Fit on 3 mm

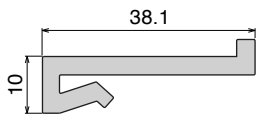


Pag 111

J-Profile

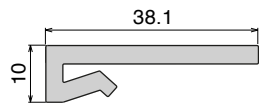
See product page for specific details and materials available.

1027 Fit on 3 mm



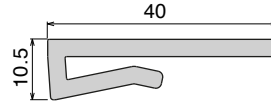
Pag 112

1028 Fit on 3 mm



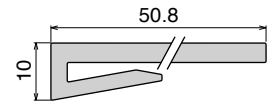
Pag 112

1046 Fit on 3 mm



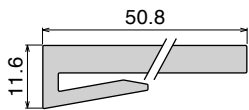
Pag 112

1029 Fit on 3 mm



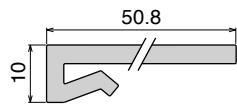
Pag 113

1030 Fit on 3 mm



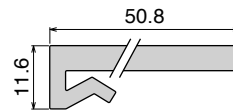
Pag 113

1031 Fit on 3 mm



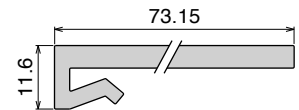
Pag 113

1032 Fit on 3 mm



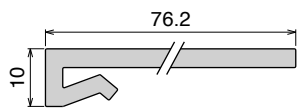
Pag 113

1035 Fit on 3 mm



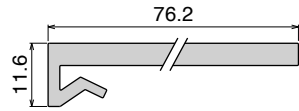
Pag 114

1033 Fit on 3 mm



Pag 114

1034 Fit on 3 mm

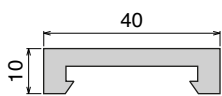


Pag 114

U-Profile

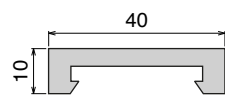
See product page for specific details and materials available.

109



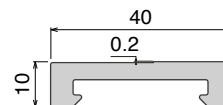
Pag 115

1111



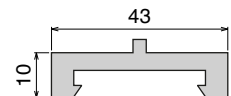
Pag 115

1113 Staggered



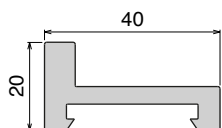
Pag 115

110



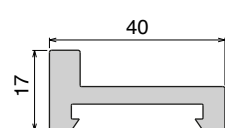
Pag 116

156



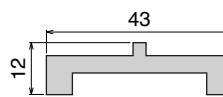
Pag 116

156



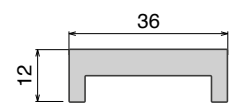
Pag 116

149



Pag 117

1066



Pag 117

177



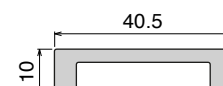
Pag 117

1059



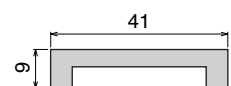
Pag 118

178



Pag 118

111

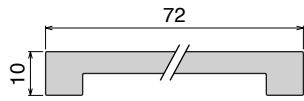


Pag 118

U-Profile

See product page for specific details and materials available.

1060



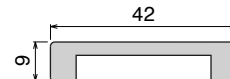
Pag 119

199



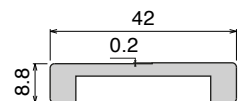
Pag 119

199



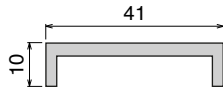
Pag 119

199 Staggered



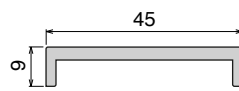
Pag 119

1115



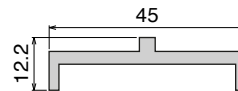
Pag 120

1080



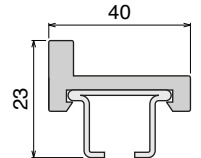
Pag 120

1081



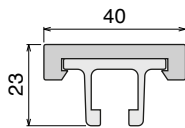
Pag 120

133



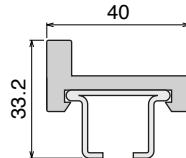
Pag 121

148



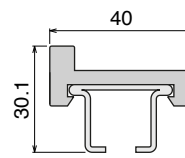
Pag 121

157



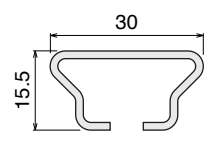
Pag 122

157



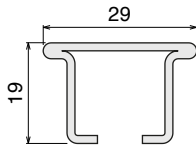
Pag 122

118 Stainless steel



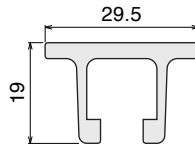
Pag 123

112 Stainless steel



Pag 123

147 Aluminum



Pag 123

C-Profile

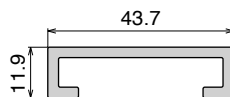
See product page for specific details and materials available.

1041 Fit on 25 x 5 mm



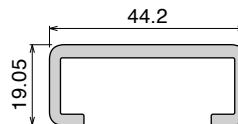
Pag 123

1082 Fit on 38,1 x 6,35 mm



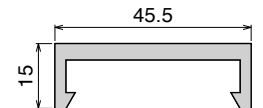
Pag 124

1044 Fit on 38,1 x 12,7 mm



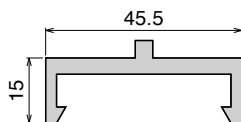
Pag 124

1053 Fit on 38,1 x 6,35 mm



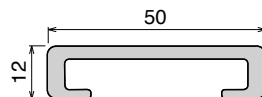
Pag 124

1054 Fit on 38,1 x 6,35 mm



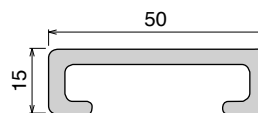
Pag 124

1101 Fit on 40 x 6 mm



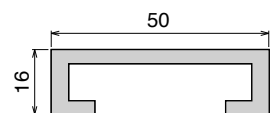
Pag 125

137 Fit on 40 x 8 mm



Pag 125

137 Fit on 40 x 8 mm

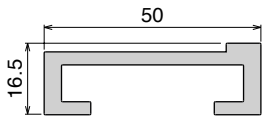


Pag 125

C-Profile

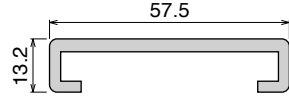
See product page for specific details and materials available.

137 Fit on 40 x 8 mm



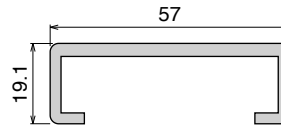
Pag 125

1042 Fit on 50 x 6 mm



Pag 126

1045 Fit on 50,8 x 12,7 mm



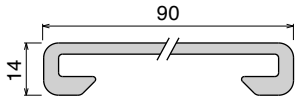
Pag 126

158 Fit on 50 x 6 mm



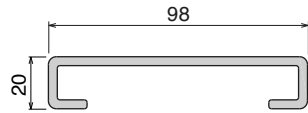
Pag 126

1102 Fit on 80 x 5 mm



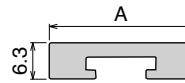
Pag 126

1107 Fit on 90 x 12 mm



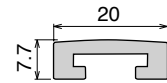
Pag 127

163 See dimension available
Used with Part. 164/165



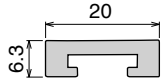
Pag 127

160 Used with Part. 164/165



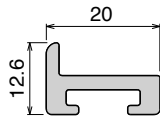
Pag 128

161 Used with Part. 164/165



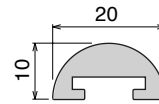
Pag 128

1092 Used with Part. 164/165



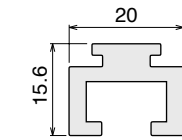
Pag 128

162 Used with Part. 164/165



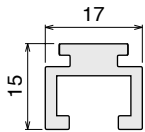
Pag 129

164 Aluminum



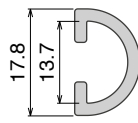
Pag 129

165 Aluminum



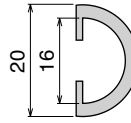
Pag 129

1114



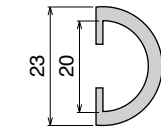
Pag 130

1039



Pag 130

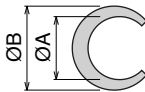
1083



Pag 130

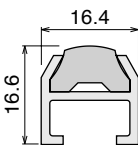
166

ØA: 8/10/12/16
ØB: 12/14/16/20



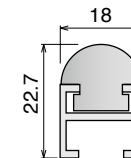
Pag 131

154 Aluminum



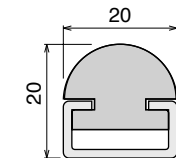
Pag 131

155 Aluminum



Pag 131

134 Stainless steel

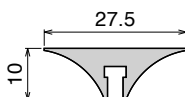


Pag 132

Transfer plate and NoseBar

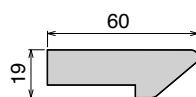
See product page for specific details and materials available.

199 Fit on 3 mm



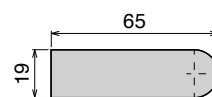
Pag 132

238



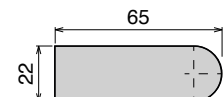
Pag 132

228



Pag 132

235

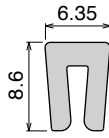


Pag 132

Bar cap and cover CAN BE USED AS STANDARD BELT SUPPORT

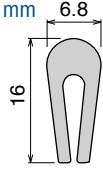
See product page for specific details and materials available.

1000
Fit on 1,5 mm



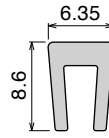
Pag 133

1001
Fit on 1,5 mm



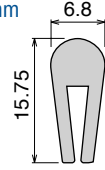
Pag 133

1002
Fit on 3 mm



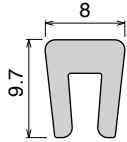
Pag 133

1109
Fit on 3 mm



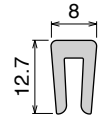
Pag 133

1003
Fit on 3 mm



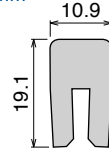
Pag 133

1004
Fit on 3 mm



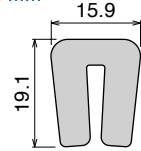
Pag 134

1084
Fit on 3 mm



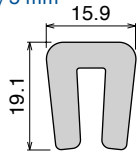
Pag 134

1085
Fit on 3 mm



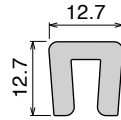
Pag 134

153
Fit on 4/5 mm



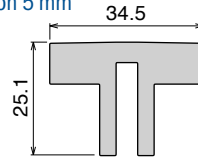
Pag 134

1006
Fit on 5 mm



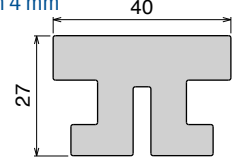
Pag 135

1007
Fit on 5 mm



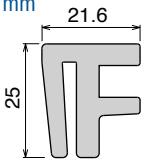
Pag 135

1095
Fit on 4 mm



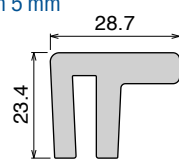
Pag 135

1040
Fit on 3 mm



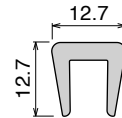
Pag 135

1008
Fit on 5 mm



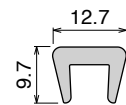
Pag 136

1009
Fit on 6 mm



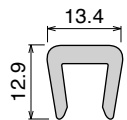
Pag 136

1010
Fit on 6 mm



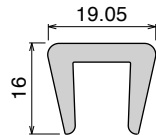
Pag 136

1086
Fit on 8 mm



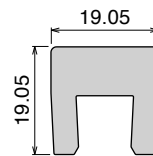
Pag 136

1011
Fit on 10 mm



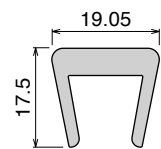
Pag 137

1013
Fit on 10 mm



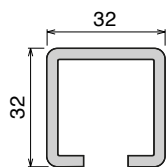
Pag 137

1012
Fit on 12/13 mm



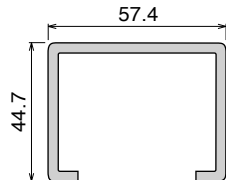
Pag 137

181 Fit on 25,4 x 25,4 mm



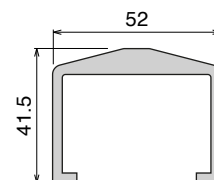
Pag 137

1052 Fit on 38,1 x 50,8 mm



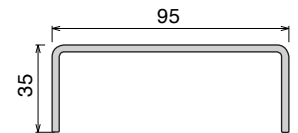
Pag 138

180 Fit on 30,5 x 46 mm



Pag 138

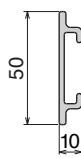
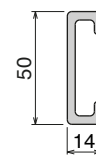
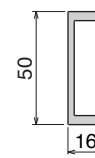
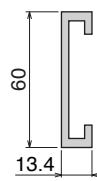
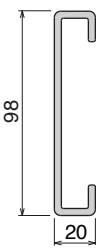

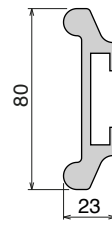
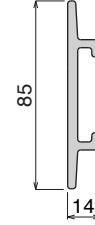
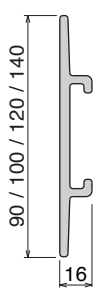
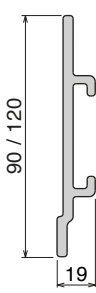
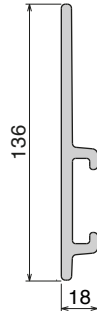
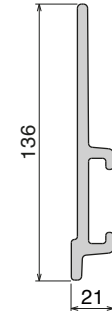
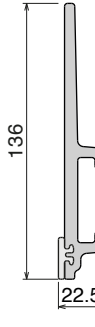
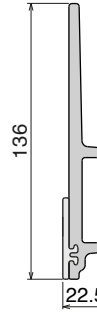
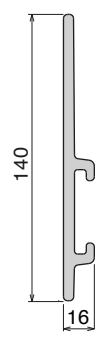
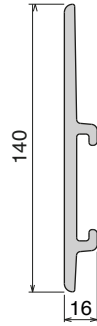
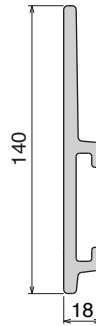
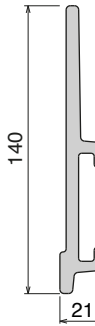
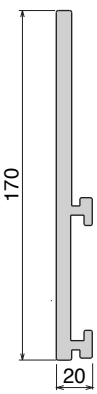
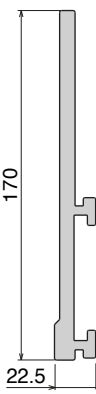
1108



Pag 138

Side guide rail USED WITH PLATE

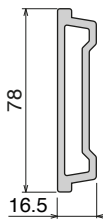
See product page for specific details and materials available.

<p>1063 Fit on mm 30 x 4</p> 	<p>137 Fit on mm 40 x 8</p> 	<p>137 Fit on mm 40 x 10</p> 	<p>158 Fit on mm 50 x 6</p> 	<p>1107 Fit on mm 90 x 12</p> 
<p>Pag 139</p>	<p>Pag 139</p>	<p>Pag 140</p>	<p>Pag 140</p>	<p>Pag 141</p>
<p>1064 Fit on mm 55 x 4</p> 	<p>183 Fit on mm 40 x 8</p> 	<p>1103 Fit on mm 40 x 4</p> 	<p>158 Fit on mm 50 x 6</p> 	<p>194 Label saver Fit on mm 50 x 6</p> 
<p>Pag 141</p>	<p>Pag 142</p>	<p>Pag 142</p>	<p>Pag 143</p>	<p>Pag 143</p>
<p>189 Fit on mm 40 x 8</p> 	<p>189 Label saver Fit on mm 40 x 8</p> 	<p>1079 RS Fit on mm 40 x 8</p> 	<p>1079 RS Fit on mm 40 x 8</p> 	<p>1104 Fit on mm 40 x 4</p> 
<p>Pag 144</p>	<p>Pag 144/145</p>	<p>Pag 145</p>	<p>Pag 145</p>	<p>Pag 146</p>
<p>1096 Fit on mm 50 x 5</p> 	<p>189 Fit on mm 50 x 6</p> 	<p>189 Label saver Fit on mm 50 x 6</p> 	<p>187 Fit on mm 60 x 6</p> 	<p>187 Label saver Fit on mm 60 x 6</p> 
<p>Pag 146</p>	<p>Pag 147</p>	<p>Pag 147/148</p>	<p>Pag 149</p>	<p>Pag 149</p>

Side guide rail USED WITH PLATE AND CLAMP

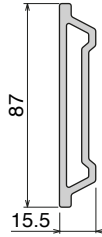
See product page for specific details and materials available.

135
Fit on mm
60 x 6



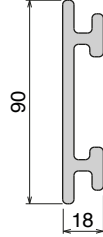
Pag 150

136
Fit on mm
60 x 6



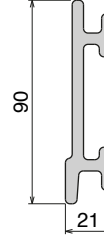
Pag 150

1057
Fit on mm
50 x 6



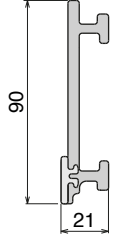
Pag 151

1077 Label saver
Fit on mm
50 x 6



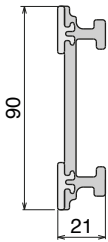
Pag 151

1077 RS
Fit on mm
50 x 6



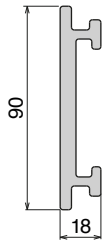
Pag 152

1078 RS
Fit on mm
50 x 6



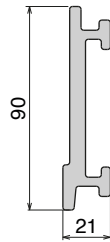
Pag 152

1057
Fit on mm
60 x 6



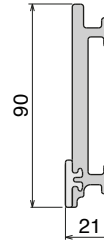
Pag 153

1077 Label saver
Fit on mm
60 x 6



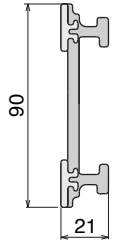
Pag 153

1077 RS
Fit on mm
60 x 6



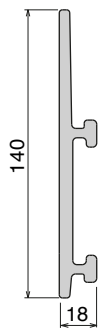
Pag 154

1078 RS
Fit on mm
60 x 6



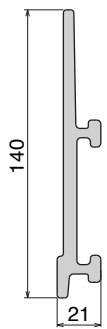
Pag 154

193
Fit on mm
60 x 5



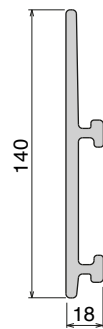
Pag 155

189
Fit on mm
60 x 5



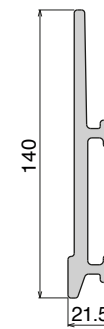
Pag 155/156

193
Fit on mm
60 x 6



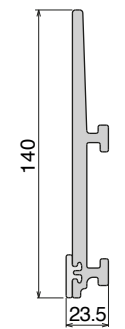
Pag 157

189 Label saver
Fit on mm
60 x 6



Pag 157/158

1075 RS
Fit on mm
60 x 6



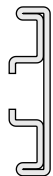
Pag 158

117
Stainless steel
Fit on mm
40 x 6
40 x 8
40 x 10



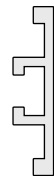
Pag 159

1055
Stainless steel
Fit on mm
40 x 8
50 x 6



Pag 159

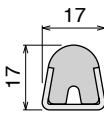
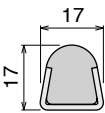
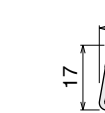
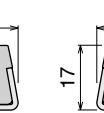
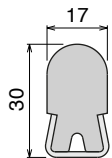
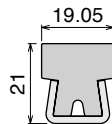
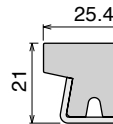
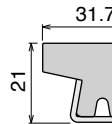
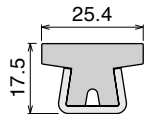
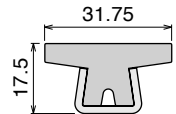
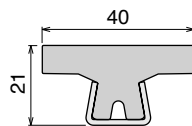
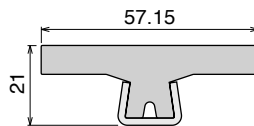
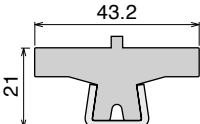
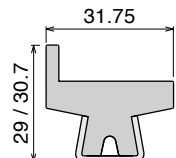
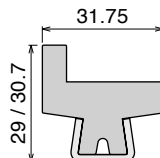
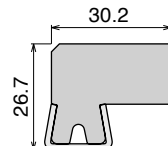
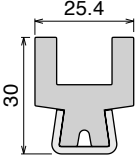
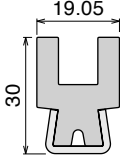
159 - 1088 - 1089
Aluminum
Fit on mm
50 x 6
60 x 5
60 x 6



Pag 159

Guide rail

See product page for specific details and materials available. | Assembled with stainless steel profile AISI 304.

119		121		120		152	
	Pag 160		Pag 161		Pag 162		Pag 162
1067		143		122		123	
	Pag 163		Pag 163		Pag 164		Pag 164
140		146		124		141	
	Pag 165		Pag 165		Pag 166		Pag 166
142		125		144		184	
	Pag 167		Pag 167		Pag 168		Pag 168
145		1087					
	Pag 169		Pag 169				

Bending machines and rollers

See product page for specific details.

198		199		151	
	Pag 170		Pag 170		Pag 171/172

Shoes and connecting elements

See product page for specific details and materials available.

113



Pag 173

113



Pag 174

114



Pag 174

116



Pag 175

116



Pag 176

115

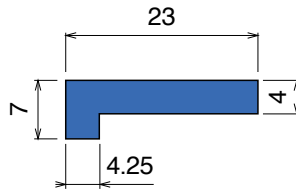
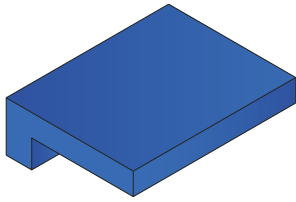


Pag 176

*Standard 3 or 6 meter covers and inserts are typically shipped by common carrier. Selected items can be coiled into cartons for more convenient shipping through UPS.

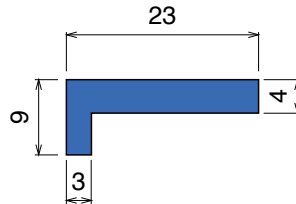
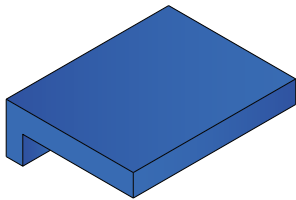
*Products stored in coils will have the tendency to retain a certain deformation when uncoiled, therefore consistency in the profile cross section over the full length of the coil cannot be guaranteed.

1094 Profilo "L" / L-Profile / L-Profil



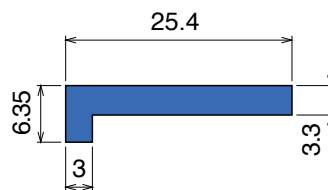
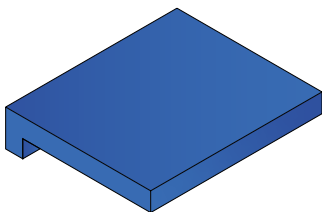
Article-Nr.	Material	Availability	Supply*
109405	Blue	On request	60 m coils
109404	<i>BluLub</i>	On request	60 m coils
109403	<i>Ti-White</i>	On request	60 m coils
109401	Black	On request	60 m coils
109402	Green	On request	60 m coils

175 Profilo "L" / L-Profile / L-Profil



Article-Nr.	Material	Availability	Supply*
17505	Blue	On request	60 m coils
17504	<i>BluLub</i>	On request	60 m coils
17503	<i>Ti-White</i>	On request	60 m coils
17501	Black	Stock item	60 m coils
17502	Green	Stock item	60 m coils

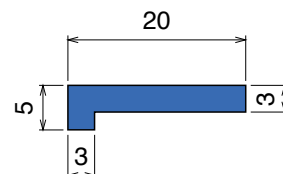
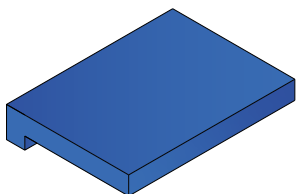
1038 Profilo "L" / L-Profile / L-Profil



North America STANDARD

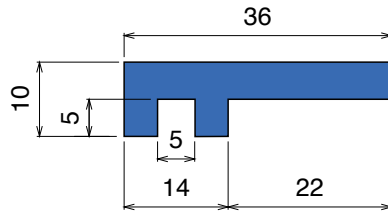
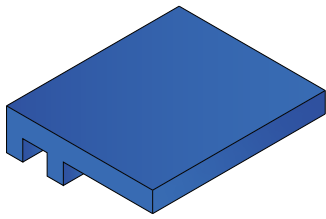
Article-Nr.	Material	Availability	Supply*
103805	Blue	On request	60 m coils
103804	<i>BluLub</i>	On request	60 m coils
103803	<i>Ti-White</i>	On request	60 m coils

150 Profilo "L" / L-Profile / L-Profil



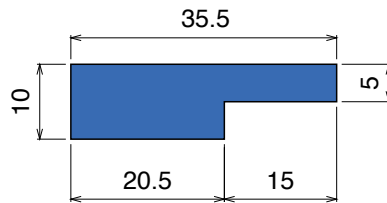
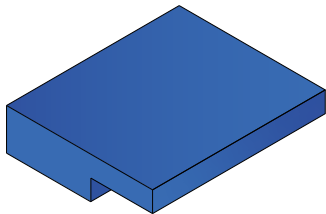
Article-Nr.	Material	Availability	Supply*
15005	Blue	On request	60 m coils
15004	<i>BluLub</i>	On request	60 m coils
15003	<i>Ti-White</i>	On request	60 m coils
15001	Black	Stock item	60 m coils
15002	Green	Stock item	60 m coils

1058 Profilo "L" / L-Profile / L-Profil



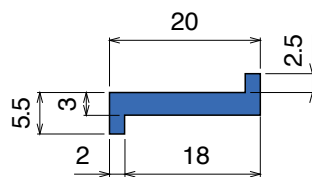
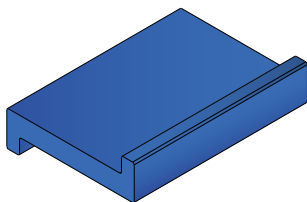
Article-Nr.	Material	Availability	Supply*
105805C	Blue	On request	3 m bars
105805	Blue	On request	6 m bars
1058008C	<i>BluLub</i>	On request	3 m bars
1058008	<i>BluLub</i>	On request	6 m bars
105803C	<i>Ti-White</i>	On request	3 m bars
105803	<i>Ti-White</i>	On request	6 m bars
105801C	Black	Stock item	3 m bars
105801	Black	On request	6 m bars
105802C	Green	Stock item	3 m bars
105802	Green	On request	6 m bars

174 Profilo "L" / L-Profile / L-Profil



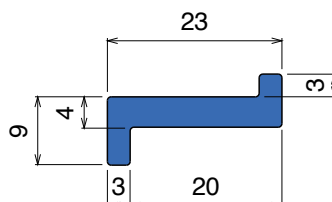
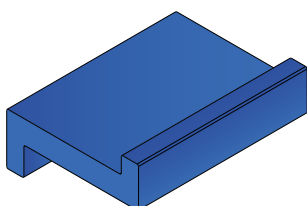
Article-Nr.	Material	Availability	Supply*
17405C	Blue	On request	3 m bars
17405	Blue	On request	6 m bars
17404C	<i>BluLub</i>	On request	3 m bars
17404	<i>BluLub</i>	On request	6 m bars
17403C	<i>Ti-White</i>	On request	3 m bars
17403	<i>Ti-White</i>	On request	6 m bars
17401C	Black	Stock item	3 m bars
17401	Black	On request	6 m bars
17402C	Green	Stock item	3 m bars
17402	Green	On request	6 m bars

101 Profilo "Z" / Z-Profile / Z-Profil



Article-Nr.	Material	Availability	Supply*
10105	Blue	On request	60 m coils
10104	<i>BluLub</i>	On request	60 m coils
10103	<i>Ti-White</i>	On request	60 m coils
10101	Black	Stock item	60 m coils
10102	Green	Stock item	60 m coils

102 Profilo "Z" / Z-Profile / Z-Profil

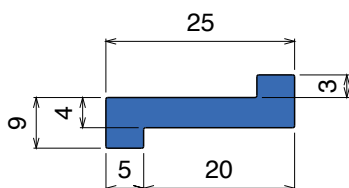
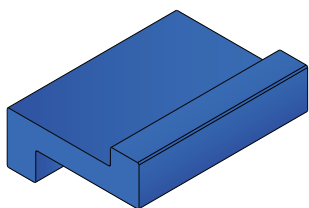


Article-Nr.	Material	Availability	Supply*
10205	Blue	On request	60 m coils
10202B	<i>BluLub</i>	Stock item	60 m coils
10203	<i>Ti-White</i>	On request	60 m coils
10201	Black	Stock item	60 m coils
10202	Green	Stock item	60 m coils
10201A	AS	Stock item	60 m coils

*Standard 3 or 6 meter covers and inserts are typically shipped by common carrier. Selected items can be coiled into cartons for more convenient shipping through UPS.

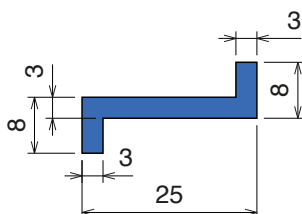
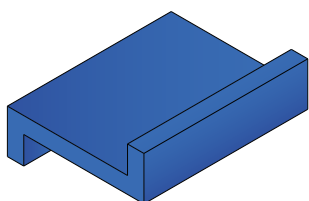
*Products stored in coils will have the tendency to retain a certain deformation when uncoiled, therefore consistency in the profile cross section over the full length of the coil cannot be guaranteed.

102 Profilo "Z" / Z-Profile / Z-Profil



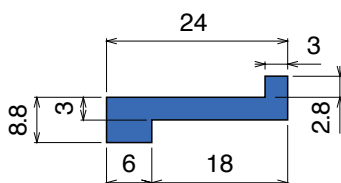
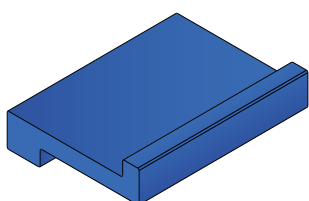
Article-Nr.	Material	Availability	Supply*
10295	Blue	On request	60 m coils
10299B	<i>BluLub</i>	Stock item	60 m coils
10293	<i>Ti-White</i>	On request	60 m coils
10297	Black	On request	60 m coils
10298	Green	Stock item	60 m coils

1116 Profilo "Z" / Z-Profile / Z-Profil



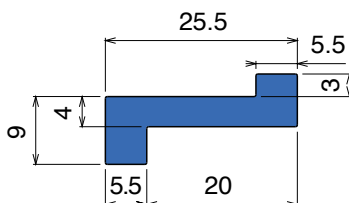
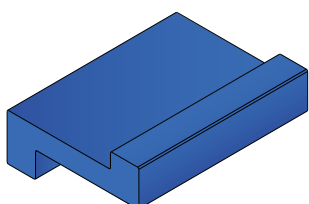
Article-Nr.	Material	Availability	Supply*
111605-60	Blue	On request	60 m coils
111600B-60	<i>BluLub</i>	On request	60 m coils
111603-60	<i>Ti-White</i>	On request	60 m coils
111601-60	Black	On request	60 m coils
111602-60	Green	On request	60 m coils

176 Profilo "Z" / Z-Profile / Z-Profil



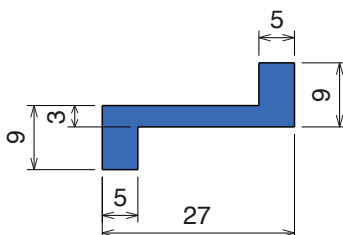
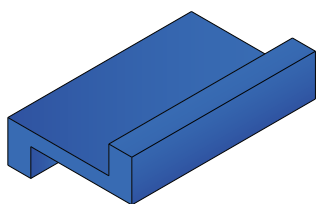
Article-Nr.	Material	Availability	Supply*
17605	Blue	On request	60 m coils
17604	<i>BluLub</i>	On request	60 m coils
17603	<i>Ti-White</i>	On request	60 m coils
17601	Black	On request	60 m coils
17602	Green	Stock item	60 m coils

1074 Profilo "Z" / Z-Profile / Z-Profil



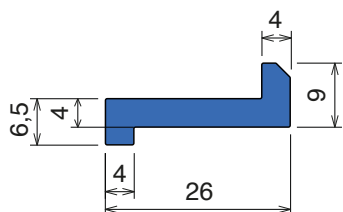
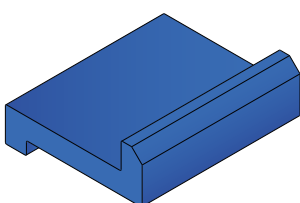
Article-Nr.	Material	Availability	Supply*
107405	Blue	On request	60 m coils
107404	<i>BluLub</i>	On request	60 m coils
107403	<i>Ti-White</i>	On request	60 m coils
107401	Black	Stock item	60 m coils

1117 Profilo "Z" / Z-Profile / Z-Profil



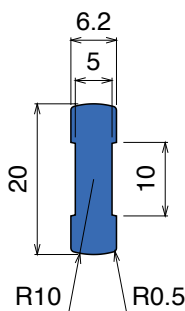
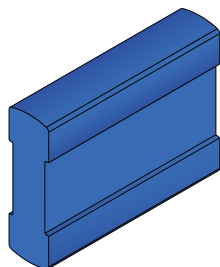
Article-Nr.	Material	Availability	Supply*
111705-60	Blue	On request	60 m coils
111700B-60	<i>BluLub</i>	On request	60 m coils
111703-60	<i>Ti-White</i>	On request	60 m coils
111701-60	Black	On request	60 m coils
111702-60	Green	On request	60 m coils

1118 Profilo "Z" / Z-Profile / Z-Profil



Article-Nr.	Material	Availability	Supply*
111803-60	Blue	On request	60 m coils
111800B-60	<i>BluLub</i>	On request	60 m coils
111801-60	Black	On request	60 m coils
111805-60	Green	On request	60 m coils

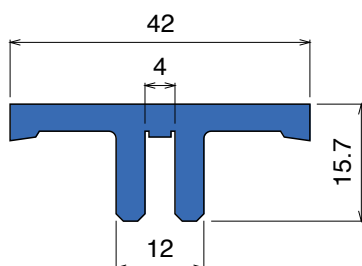
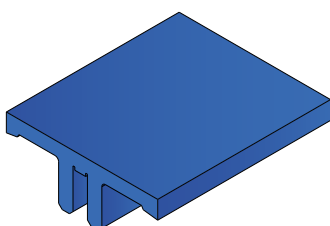
107 Profilo guida catena / Wear strip / Rückführleiste



Article-Nr.	Material	Availability	Supply*
10705	Blue	On request	60 m coils
10704	<i>BluLub</i>	On request	60 m coils
10703	<i>Ti-White</i>	Stock item	60 m coils
10701	Black	On request	60 m coils
10702	Green	Stock item	60 m coils

108 Profilo T / T-profile / T-Profil

Fit on 4 mm

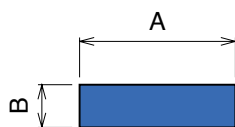
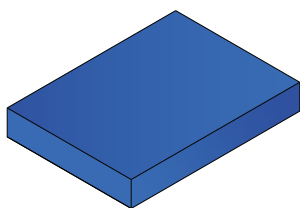


Article-Nr.	Material	Availability	Supply*
10805C	Blue	On request	3 m bars
10805	Blue	On request	6 m bars
10800BC	<i>BluLub</i>	On request	3 m bars
10800B	<i>BluLub</i>	Stock item	6 m bars
10803C	<i>Ti-White</i>	On request	3 m bars
10803	<i>Ti-White</i>	On request	6 m bars
10801C	Black	Stock item	3 m bars
10801	Black	On request	6 m bars
10802C	Green	Stock item	3 m bars
10802	Green	Stock item	6 m bars

*Standard 3 or 6 meter covers and inserts are typically shipped by common carrier. Selected items can be coiled into cartons for more convenient shipping through UPS.

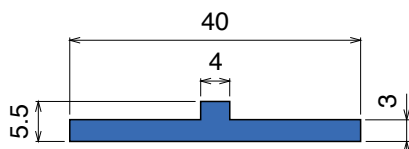
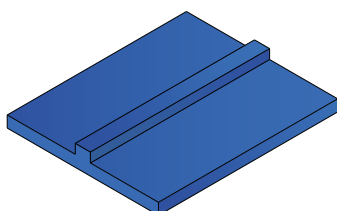
*Products stored in coils will have the tendency to retain a certain deformation when uncoiled, therefore consistency in the profile cross section over the full length of the coil cannot be guaranteed.

105 Profilo piatto / Flat profile / Flachprofil



Article-Nr.	Material	A	B	Availability	Supply*
10501B	Blue	20	3	On request	60 m coils
10503B	Blue	20	5	On request	60 m coils
10505B	Blue	60	3	On request	60 m coils
10507B	Blue	70	3	On request	60 m coils
10509B	Blue	100	3	On request	60 m coils
10502BL	<i>BluLub</i>	20	3	On request	60 m coils
10504BL	<i>BluLub</i>	20	5	On request	60 m coils
10595BL	<i>BluLub</i>	25	3	On request	60 m coils
10592BL	<i>BluLub</i>	30	3	On request	60 m coils
10594BL	<i>BluLub</i>	30	5	On request	60 m coils
10596BL	<i>BluLub</i>	40	3	On request	60 m coils
10597BL	<i>BluLub</i>	50	3	On request	60 m coils
10506BL	<i>BluLub</i>	60	3	On request	60 m coils
10508BL	<i>BluLub</i>	70	3	On request	60 m coils
10510BL	<i>BluLub</i>	100	3	On request	60 m coils
10502W	<i>Ti-White</i>	20	3	On request	60 m coils
10504W	<i>Ti-White</i>	20	5	On request	60 m coils
10595W	<i>Ti-White</i>	25	3	On request	60 m coils
10592W	<i>Ti-White</i>	30	3	On request	60 m coils
10594W	<i>Ti-White</i>	30	5	On request	60 m coils
10596W	<i>Ti-White</i>	40	3	On request	60 m coils
10597W	<i>Ti-White</i>	50	3	On request	60 m coils
10506W	<i>Ti-White</i>	60	3	On request	60 m coils
10508W	<i>Ti-White</i>	70	3	On request	60 m coils
10510W	<i>Ti-White</i>	100	3	On request	60 m coils
10501	Black	20	3	Stock item	60 m coils
10503	Black	20	5	Stock item	60 m coils
10505	Black	60	3	Stock item	60 m coils
10507	Black	70	3	Stock item	60 m coils
10509	Black	100	3	On request	60 m coils
10502	Green	20	3	Stock item	60 m coils
10504	Green	20	5	Stock item	60 m coils
10595	Green	25	3	Stock item	60 m coils
10592	Green	30	3	On request	60 m coils
10594	Green	30	5	Stock item	60 m coils
10596	Green	40	3	Stock item	60 m coils
10597	Green	50	3	On request	60 m coils
10506	Green	60	3	Stock item	60 m coils
10508	Green	70	3	Stock item	60 m coils
10510	Green	100	3	Stock item	60 m coils

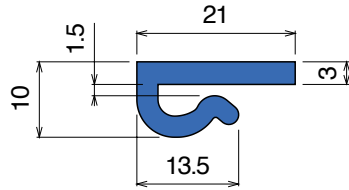
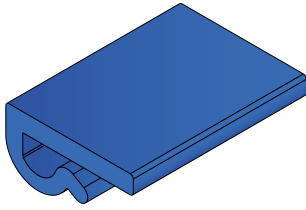
106 Profilo guida catena / Flat profile with nose / Flachprofil mit Nase



Article-Nr.	Material	Availability	Supply*
10605	Blue	On request	60 m coils
10604	<i>BluLub</i>	On request	60 m coils
10603	<i>Ti-White</i>	On request	60 m coils
10601	Black	Stock item	60 m coils
10602	Green	Stock item	60 m coils

103 Profilo "J" / J-Profile / J-Profil

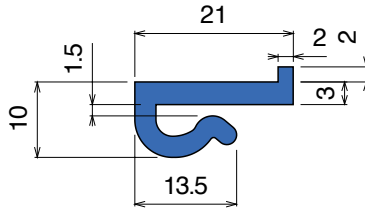
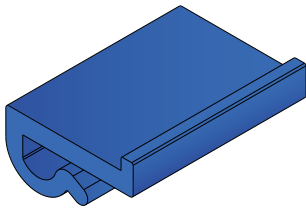
Fit on 2,5 to 3,5 mm



Article-Nr.	Material	Availability	Supply*
10305	Blue	On request	60 m coils
10300B-30	BluLub	Stock item	30 m coils
10303	Ti-White	Stock item	60 m coils
10301	Black	Stock item	60 m coils
10302	Green	Stock item	60 m coils

104 Profilo "J" / J-Profile / J-Profil

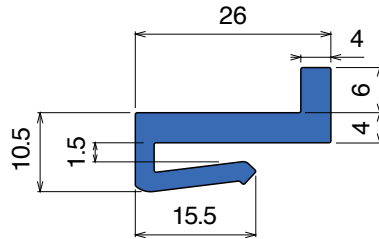
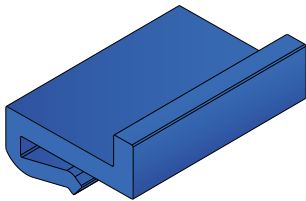
Fit on 2,5 to 3,5 mm



Article-Nr.	Material	Availability	Supply*
10405	Blue	On request	60 m coils
10400B	BluLub	Stock item	60 m coils
10403	Ti-White	On request	60 m coils
10401	Black	Stock item	60 m coils
10402	Green	Stock item	60 m coils

179 Profilo "J" / J-Profile / J-Profil

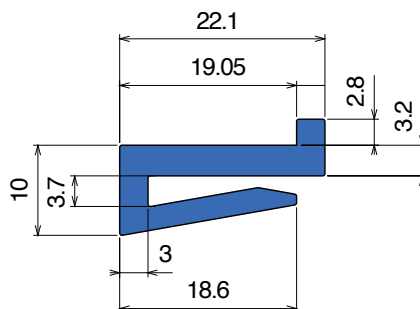
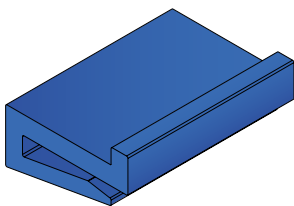
Fit on 2,5 to 3,5 mm



Article-Nr.	Material	Availability	Supply*
17901BC	Blue	On request	3 m bars
17901B	Blue	On request	6 m bars
17901B-60	Blue	On request	60 m coils
17902BC	BluLub	On request	3 m bars
17902B	BluLub	On request	6 m bars
17902B-60	BluLub	Stock item	60 m coils
17902WC	Ti-White	On request	3 m bars
17902W	Ti-White	On request	6 m bars
17902W-60	Ti-White	On request	60 m coils
17901C	Black	Stock item	3 m bars
17901	Black	On request	6 m bars
17902C	Green	Stock item	3 m bars
17902	Green	On request	6 m bars
17902-60	Green	Stock item	60 m coils

1014 Profilo "J" / J-Profile / J-Profil

Fit on 3 mm (1/8")



North America STANDARD			
Article-Nr.	Material	Availability	Supply*
101405C	Blue	On request	3 m bars
101405	Blue	On request	6 m bars
101405-30	Blue	On request	30 m coils
101400BC	BluLub	On request	3 m bars
101400B	BluLub	On request	6 m bars
101400B-30	BluLub	On request	30 m coils
101403C	Ti-White	Stock item	3 m bars
101403	Ti-White	On request	6 m bars
101403-30	Ti-White	Stock item	30 m coils

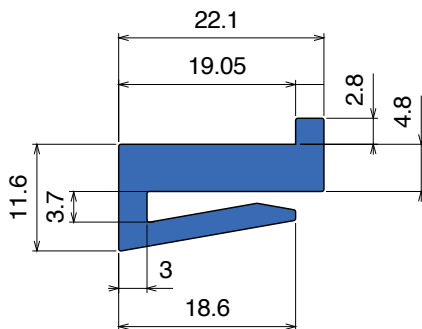
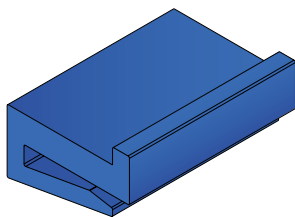
*Standard 3 or 6 meter covers and inserts are typically shipped by common carrier. Selected items can be coiled into cartons for more convenient shipping through UPS.

*Products stored in coils will have the tendency to retain a certain deformation when uncoiled, therefore consistency in the profile cross section over the full length of the coil cannot be guaranteed.

1015

Profilo "J" / J-Profile / J-Profil

Fit on 2,5 to 3,5 mm (1/8")



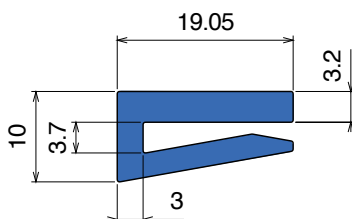
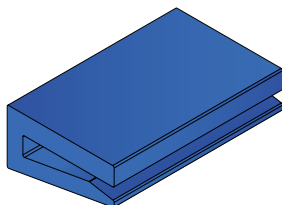
North America STANDARD

Article-Nr.	Material	Availability	Supply*
101505C	Blue	On request	3 m bars
101505	Blue	On request	6 m bars
101505-30	Blue	On request	30 m coils
101500BC	BluLub	On request	3 m bars
101500B	BluLub	On request	6 m bars
101500B-30	BluLub	On request	30 m coils
101503C	Ti-White	On request	3 m bars
101503	Ti-White	On request	6 m bars
101503-30	Ti-White	On request	30 m coils

1016

Profilo "J" / J-Profile / J-Profil

Fit on 3 mm (1/8")



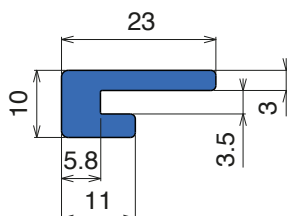
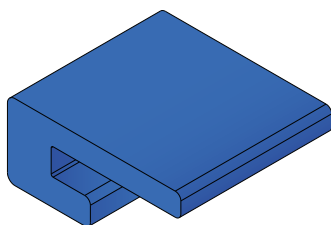
North America STANDARD

Article-Nr.	Material	Availability	Supply*
101605C	Blue	On request	3 m bars
101605	Blue	On request	6 m bars
101605-30	Blue	On request	30 m coils
101600BC	BluLub	On request	3 m bars
101600B	BluLub	On request	6 m bars
101600B-30	BluLub	On request	30 m coils
101603C	Ti-White	Stock item	3 m bars
101603	Ti-White	On request	6 m bars
101603-30	Ti-White	Stock item	30 m coils
101601C	Black	On request	3 m bars
101601	Black	On request	6 m bars
101601-30	Black	On request	30 m coils
101602C	Green	On request	3 m bars
101602	Green	On request	6 m bars
101602-30	Green	On request	30 m coils

1112

Profilo "J" / J-Profile / J-Profil

Fit on 3 mm (1/8")

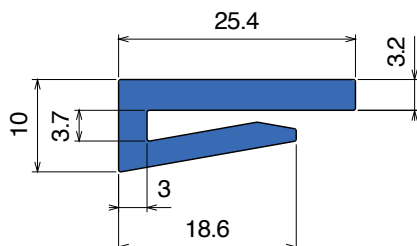
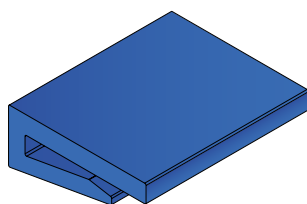


Article-Nr.	Material	Availability	Supply*
111205C	Blue	On request	3 m bars
111205	Blue	On request	6 m bars
111200BC	BluLub	On request	3 m bars
111200B	BluLub	On request	6 m bars
111203C	Ti-White	On request	3 m bars
111203	Ti-White	On request	6 m bars
111202C	Green	On request	3 m bars
111202	Green	On request	6 m bars

1017

Profilo "J" / J-Profile / J-Profil

Fit on 3 mm (1/8")



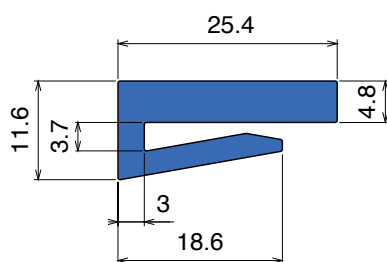
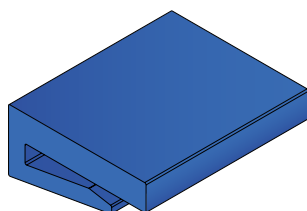
North America STANDARD

Article-Nr.	Material	Availability	Supply*
101705C	Blue	On request	3 m bars
101705	Blue	On request	6 m bars
101705-30	Blue	On request	30 m coils
101700BC	BluLub	On request	3 m bars
101700B	BluLub	On request	6 m bars
101700B-30	BluLub	On request	30 m coils
101703C	Ti-White	Stock item	3 m bars
101703	Ti-White	On request	6 m bars
101703-30	Ti-White	Stock item	30 m coils
101701C	Black	On request	3 m bars
101701	Black	On request	6 m bars
101701-30	Black	On request	30 m coils
101702C	Green	On request	3 m bars
101702	Green	On request	6 m bars
101702-30	Green	On request	30 m coils

1018

Profilo "J" / J-Profile / J-Profil

Fit on 3 mm (1/8")



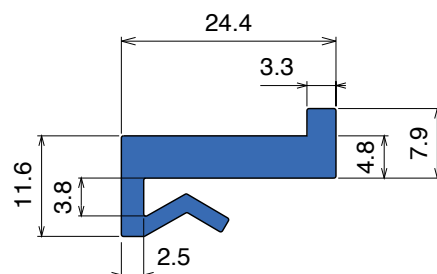
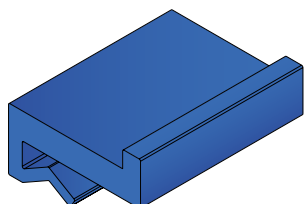
North America STANDARD

Article-Nr.	Material	Availability	Supply*
101805C	Blue	On request	3 m bars
101805	Blue	On request	6 m bars
101805-30	Blue	On request	30 m coils
101800BC	BluLub	On request	3 m bars
101800B	BluLub	On request	6 m bars
101800B-30	BluLub	On request	30 m coils
101803C	Ti-White	Stock item	3 m bars
101803	Ti-White	On request	6 m bars
101803-30	Ti-White	On request	30 m coils

1019

Profilo "J" / J-Profile / J-Profil

Fit on 3 mm (1/8")



North America STANDARD

Article-Nr.	Material	Availability	Supply*
101905C	Blue	On request	3 m bars
101905	Blue	On request	6 m bars
101905-30	Blue	On request	30 m coils
101900BC	BluLub	On request	3 m bars
101900B	BluLub	On request	6 m bars
101900B-30	BluLub	On request	30 m coils
101903C	Ti-White	Stock item	3 m bars
101903	Ti-White	On request	6 m bars
101903-30	Ti-White	On request	30 m coils

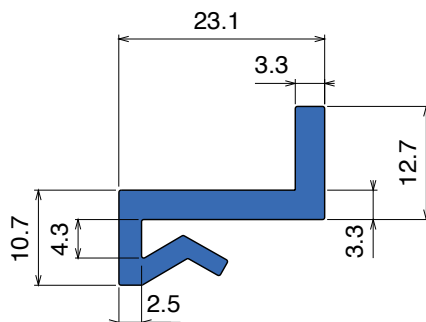
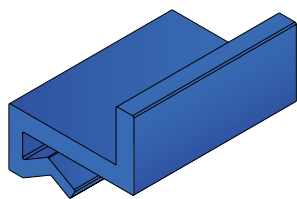
*Standard 3 or 6 meter covers and inserts are typically shipped by common carrier. Selected items can be coiled into cartons for more convenient shipping through UPS.

*Products stored in coils will have the tendency to retain a certain deformation when uncoiled, therefore consistency in the profile cross section over the full length of the coil cannot be guaranteed.

1020

Profilo "J" / J-Profile / J-Profil

Fit on 3 mm (1/8")



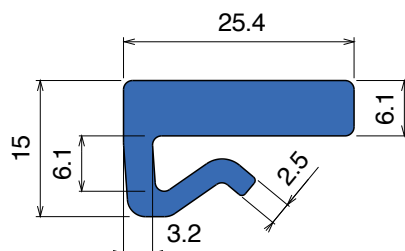
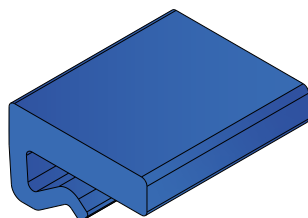
North America STANDARD

Article-Nr.	Material	Availability	Supply*
102005C	Blue	On request	3 m bars
102005	Blue	On request	6 m bars
102000BC	BluLub	On request	3 m bars
102000B	BluLub	On request	6 m bars
102003C	Ti-White	Stock item	3 m bars
102003	Ti-White	Stock item	6 m bars
102001C	Black	On request	3 m bars
102001	Black	On request	6 m bars
102002C	Green	On request	3 m bars
102002	Green	On request	6 m bars

1091

Profilo "J" / J-Profile / J-Profil

Fit on 3 mm (1/8")

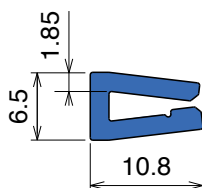
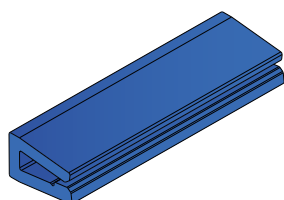


Article-Nr.	Material	Availability	Supply*
109105-30	Blue	On request	30 m coils
109100B-30	BluLub	On request	30 m coils
109103-30	Ti-White	On request	30 m coils

1068

Profilo "J" / J-Profile / J-Profil

Fit on 1,8 to 2 mm

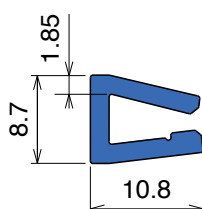
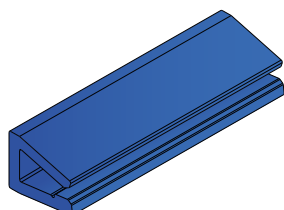


Article-Nr.	Material	Availability	Supply*
106805	Blue	On request	30 m coils
106800B	BluLub	Stock item	30 m coils
106802	Ti-White	On request	30 m coils

1090

Profilo "J" / J-Profile / J-Profil

Fit on 3 mm



Article-Nr.	Material	Availability	Supply*
109005	Blue	On request	30 m coils
109000B	BluLub	On request	30 m coils
109002	Ti-White	On request	30 m coils

1021-1022-1023

Guide estruse / Extruded profiles / Extrudiertes Profil

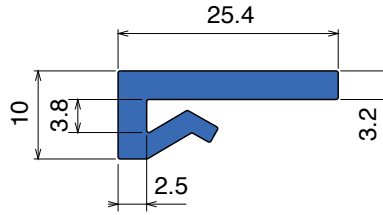
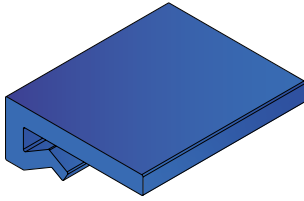
*Standard 3 or 6 meter covers and inserts are typically shipped by common carrier. Selected items can be coiled into cartons for more convenient shipping through UPS.

*Products stored in coils will have the tendency to retain a certain deformation when uncoiled, therefore consistency in the profile cross section over the full length of the coil cannot be guaranteed.

1021

Profilo "J" / J-Profile / J-Profil

Fit on 3 mm (1/8")



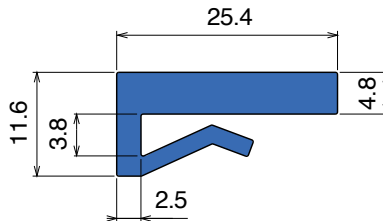
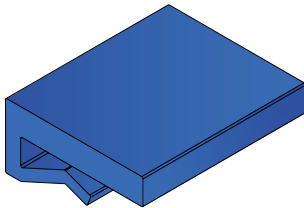
North America STANDARD

Article-Nr.	Material	Availability	Supply*
102105C	Blue	On request	3 m bars
102105	Blue	On request	6 m bars
102105-30	Blue	On request	30 m coils
102100BC	<i>BluLub</i>	On request	3 m bars
102100B	<i>BluLub</i>	On request	6 m bars
102100B-30	<i>BluLub</i>	On request	30 m coils
102103C	<i>Ti-White</i>	Stock item	3 m bars
102103	<i>Ti-White</i>	On request	6 m bars
102103-30	<i>Ti-White</i>	Stock item	30 m coils
102101C	Black	On request	3 m bars
102101	Black	On request	6 m bars
102101-30	Black	On request	30 m coils
102102C	Green	On request	3 m bars
102102	Green	On request	6 m bars
102102-30	Green	On request	30 m coils

1022

Profilo "J" / J-Profile / J-Profil

Fit on 3 mm (1/8")



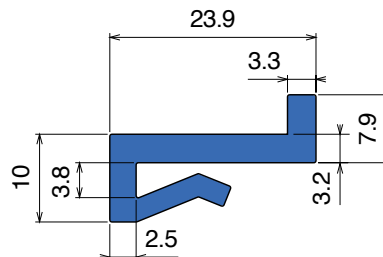
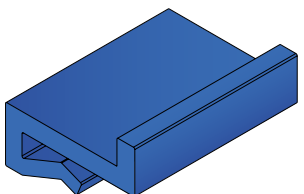
North America STANDARD

Article-Nr.	Material	Availability	Supply*
102205C	Blue	On request	3 m bars
102205	Blue	On request	6 m bars
102205-30	Blue	On request	30 m coils
102200BC	<i>BluLub</i>	On request	3 m bars
102200B	<i>BluLub</i>	On request	6 m bars
102200B-30	<i>BluLub</i>	On request	30 m coils
102203C	<i>Ti-White</i>	Stock item	3 m bars
102203	<i>Ti-White</i>	On request	6 m bars
102203-30	<i>Ti-White</i>	On request	30 m coils

1023

Profilo "J" / J-Profile / J-Profil

Fit on 3 mm (1/8")



North America STANDARD

Article-Nr.	Material	Availability	Supply*
102305C	Blue	On request	3 m bars
102305	Blue	On request	6 m bars
102300BC	<i>BluLub</i>	On request	3 m bars
102300B	<i>BluLub</i>	On request	6 m bars
102303C	<i>Ti-White</i>	Stock item	3 m bars
102303	<i>Ti-White</i>	On request	6 m bars

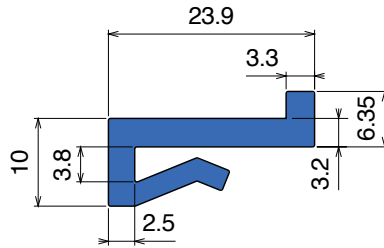
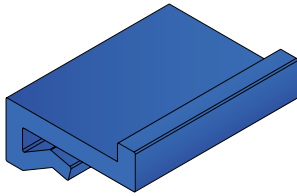
*Standard 3 or 6 meter covers and inserts are typically shipped by common carrier. Selected items can be coiled into cartons for more convenient shipping through UPS.

*Products stored in coils will have the tendency to retain a certain deformation when uncoiled, therefore consistency in the profile cross section over the full length of the coil cannot be guaranteed.

1024

Profilo "J" / J-Profile / J-Profil

Fit on 3 mm (1/8")



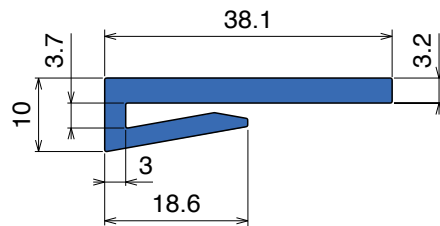
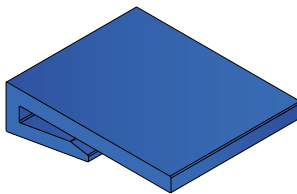
North America STANDARD

Article-Nr.	Material	Availability	Supply*
102405C	Blue	On request	3 m bars
102405	Blue	On request	6 m bars
102405-30	Blue	On request	30 m coils
102400BC	BluLub	On request	3 m bars
102400B	BluLub	On request	6 m bars
102400B-30	BluLub	On request	30 m coils
102403C	Ti-White	Stock item	3 m bars
102403	Ti-White	On request	6 m bars
102403-30	Ti-White	Stock item	30 m coils
102401C	Black	On request	3 m bars
102401	Black	On request	6 m bars
102401-30	Black	On request	30 m coils
102402C	Green	Stock item	3 m bars
102402	Green	Stock item	6 m bars
102402-30	Green	On request	30 m coils

1025

Profilo "J" / J-Profile / J-Profil

Fit on 3 mm (1/8")



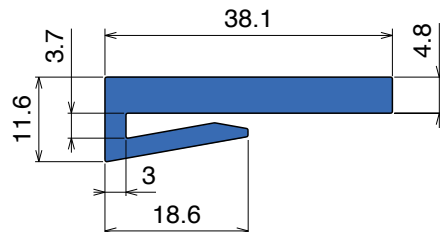
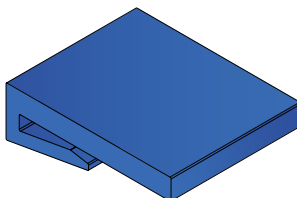
North America STANDARD

Article-Nr.	Material	Availability	Supply*
102505C	Blue	On request	3 m bars
102505	Blue	On request	6 m bars
102505-30	Blue	On request	30 m coils
102500BC	BluLub	On request	3 m bars
102500B	BluLub	On request	6 m bars
102500B-30	BluLub	On request	30 m coils
102503C	Ti-White	Stock item	3 m bars
102503	Ti-White	On request	6 m bars
102503-30	Ti-White	Stock item	30 m coils
102501C	Black	On request	3 m bars
102501	Black	On request	6 m bars
102501-30	Black	On request	30 m coils
102502C	Green	On request	3 m bars
102502	Green	On request	6 m bars
102502-30	Green	On request	30 m coils

1026

Profilo "J" / J-Profile / J-Profil

Fit on 3 mm (1/8")



North America STANDARD

Article-Nr.	Material	Availability	Supply*
102605C	Blue	On request	3 m bars
102605	Blue	On request	6 m bars
102605-30	Blue	On request	30 m coils
102600BC	BluLub	On request	3 m bars
102600B	BluLub	On request	6 m bars
102600B-30	BluLub	On request	30 m coils
102603C	Ti-White	Stock item	3 m bars
102603	Ti-White	On request	6 m bars
102603-30	Ti-White	On request	30 m coils

1027-1028-1046

Guide estruse / Extruded profiles / Extrudiertes Profil

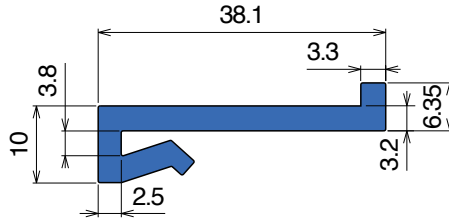
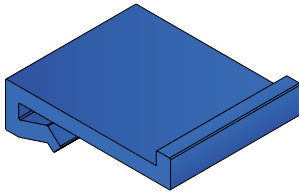
*Standard 3 or 6 meter covers and inserts are typically shipped by common carrier. Selected items can be coiled into cartons for more convenient shipping through UPS.

*Products stored in coils will have the tendency to retain a certain deformation when uncoiled, therefore consistency in the profile cross section over the full length of the coil cannot be guaranteed.

1027

Profilo "J" / J-Profile / J-Profil

Fit on 3 mm (1/8")



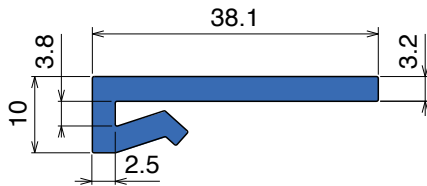
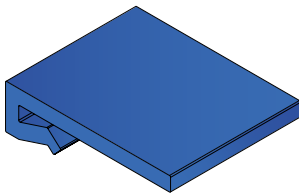
North America STANDARD

Article-Nr.	Material	Availability	Supply*
102705C	Blue	On request	3 m bars
102705	Blue	On request	6 m bars
102705-30	Blue	On request	30 m coils
102700BC	BluLub	On request	3 m bars
102700B	BluLub	On request	6 m bars
102700B-30	BluLub	On request	30 m coils
102703C	Ti-White	Stock item	3 m bars
102703	Ti-White	On request	6 m bars
102703-30	Ti-White	On request	30 m coils

1028

Profilo "J" / J-Profile / J-Profil

Fit on 3 mm (1/8")



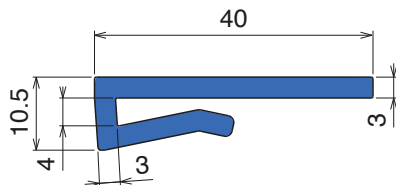
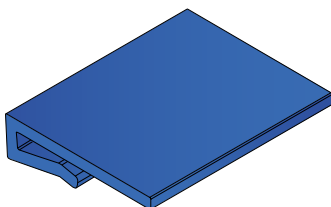
North America STANDARD

Article-Nr.	Material	Availability	Supply*
102805C	Blue	On request	3 m bars
102805	Blue	On request	6 m bars
102805-30	Blue	On request	30 m coils
102800BC	BluLub	On request	3 m bars
102800B	BluLub	On request	6 m bars
102800B-30	BluLub	On request	30 m coils
102803C	Ti-White	Stock item	3 m bars
102803	Ti-White	On request	6 m bars
102803-30	Ti-White	Stock item	30 m coils

1046

Profilo "J" / J-Profile / J-Profil

Fit on 3 mm (1/8")



North America STANDARD

Article-Nr.	Material	Availability	Supply*
104605C	Blue	On request	3 m bars
104605	Blue	On request	6 m bars
104605-30	Blue	On request	30 m coils
104600BC	BluLub	On request	3 m bars
104600B	BluLub	On request	6 m bars
104600B-30	BluLub	Stock item	30 m coils
104603C	Ti-White	Stock item	3 m bars
104603	Ti-White	On request	6 m bars
104603-30	Ti-White	Stock item	30 m coils
104601C	Black	On request	3 m bars
104601	Black	On request	6 m bars
104601-30	Black	On request	30 m coils
104602C	Green	Stock item	3 m bars
104602	Green	On request	6 m bars
104602-30	Green	Stock item	30 m coils

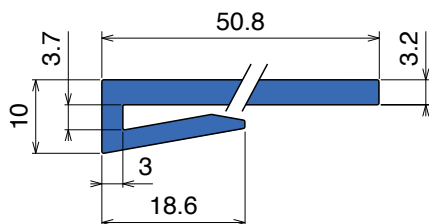
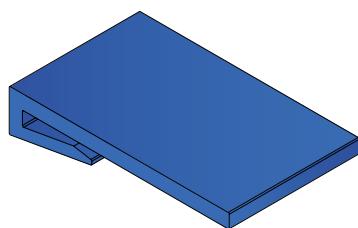
*Standard 3 or 6 meter covers and inserts are typically shipped by common carrier. Selected items can be coiled into cartons for more convenient shipping through UPS.

*Products stored in coils will have the tendency to retain a certain deformation when uncoiled, therefore consistency in the profile cross section over the full length of the coil cannot be guaranteed.

1029

Profilo "J" / J-Profile / J-Profil

Fit on 3 mm (1/8")



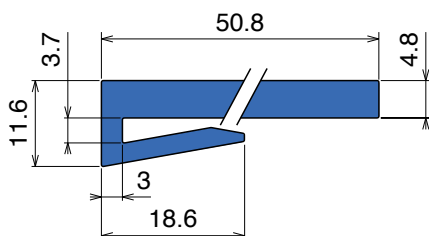
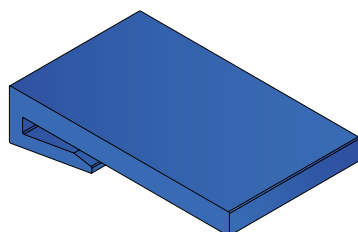
North America STANDARD

Article-Nr.	Material	Availability	Supply*
102905C	Blue	On request	3 m bars
102905	Blue	On request	6 m bars
102905-30	Blue	On request	30 m coils
102900BC	BluLub	On request	3 m bars
102900B	BluLub	On request	6 m bars
102900B-30	BluLub	On request	30 m coils
102903C	Ti-White	Stock item	3 m bars
102903	Ti-White	On request	6 m bars
102903-30	Ti-White	On request	30 m coils

1030

Profilo "J" / J-Profile / J-Profil

Fit on 3 mm (1/8")



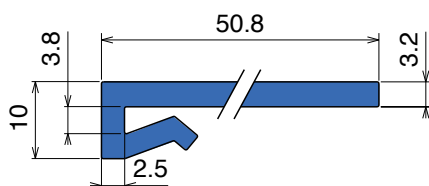
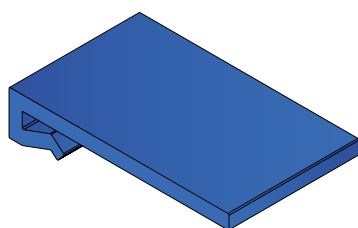
North America STANDARD

Article-Nr.	Material	Availability	Supply*
103005C	Blue	On request	3 m bars
103005	Blue	On request	6 m bars
103000BC	BluLub	On request	3 m bars
103000B	BluLub	On request	6 m bars
103003C	Ti-White	Stock item	3 m bars
103003	Ti-White	On request	6 m bars

1031

Profilo "J" / J-Profile / J-Profil

Fit on 3 mm (1/8")



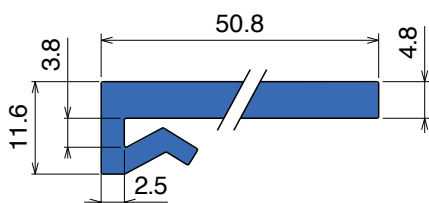
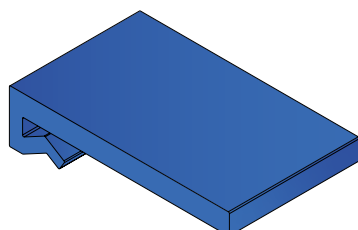
North America STANDARD

Article-Nr.	Material	Availability	Supply*
103105C	Blue	On request	3 m bars
103105	Blue	On request	6 m bars
103100BC	BluLub	Stock item	3 m bars
103100B	BluLub	On request	6 m bars
103103C	Ti-White	Stock item	3 m bars
103103	Ti-White	Stock item	6 m bars

1032

Profilo "J" / J-Profile / J-Profil

Fit on 3 mm (1/8")



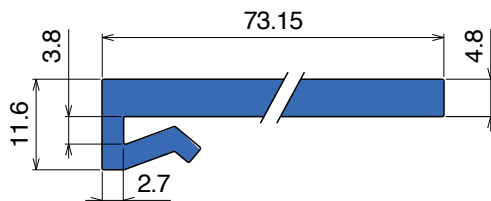
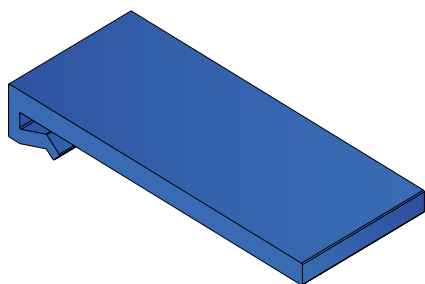
North America STANDARD

Article-Nr.	Material	Availability	Supply*
103205C	Blue	On request	3 m bars
103205	Blue	On request	6 m bars
103200BC	BluLub	On request	3 m bars
103200B	BluLub	On request	6 m bars
103203C	Ti-White	Stock item	3 m bars
103203	Ti-White	On request	6 m bars

1035

Profilo "J" / J-Profile / J-Profil

Fit on 3 mm (1/8")



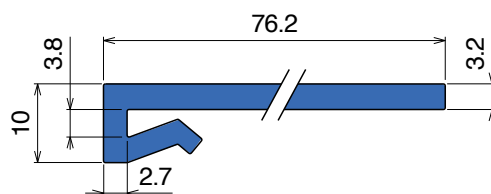
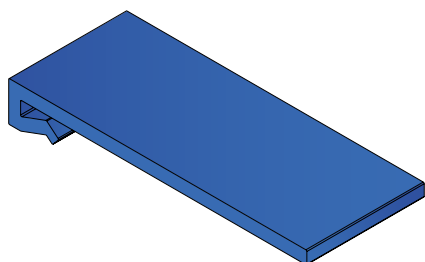
North America STANDARD

Article-Nr.	Material	Availability	Supply*
103505C	Blue	On request	3 m bars
103505	Blue	On request	6 m bars
103500BC	<i>BluLub</i>	On request	3 m bars
103500B	<i>BluLub</i>	On request	6 m bars
103503C	<i>Ti-White</i>	Stock item	3 m bars
103503	<i>Ti-White</i>	On request	6 m bars

1033

Profilo "J" / J-Profile / J-Profil

Fit on 3 mm (1/8")



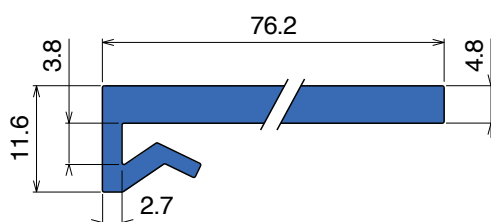
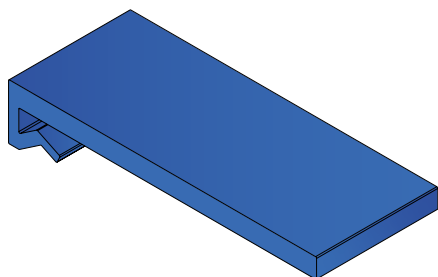
North America STANDARD

Article-Nr.	Material	Availability	Supply*
103305C	Blue	On request	3 m bars
103305	Blue	On request	6 m bars
103300BC	<i>BluLub</i>	Stock item	3 m bars
103300B	<i>BluLub</i>	On request	6 m bars
103303C	<i>Ti-White</i>	Stock item	3 m bars
103303	<i>Ti-White</i>	On request	6 m bars

1034

Profilo "J" / J-Profile / J-Profil

Fit on 3 mm (1/8")



North America STANDARD

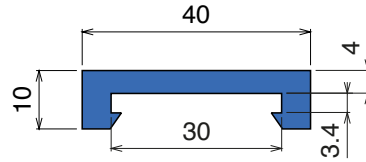
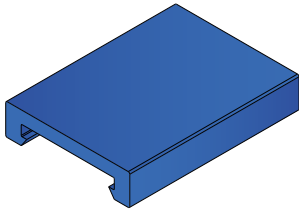
Article-Nr.	Material	Availability	Supply*
103405C	Blue	On request	3 m bars
103405	Blue	On request	6 m bars
103400BC	<i>BluLub</i>	On request	3 m bars
103400B	<i>BluLub</i>	On request	6 m bars
103403C	<i>Ti-White</i>	Stock item	3 m bars
103403	<i>Ti-White</i>	On request	6 m bars

*Standard 3 or 6 meter covers and inserts are typically shipped by common carrier. Selected items can be coiled into cartons for more convenient shipping through UPS.

*Products stored in coils will have the tendency to retain a certain deformation when uncoiled, therefore consistency in the profile cross section over the full length of the coil cannot be guaranteed.

109

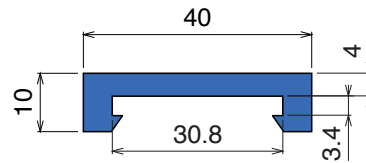
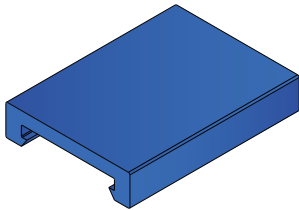
Profilo "U" / U-Profile / U-Profil



Article-Nr.	Material	Availability	Supply*
10905C	Blue	On request	3 m bars
10905	Blue	On request	6 m bars
10905-30	Blue	On request	30 m coils
10901BC	<i>BluLub</i>	Stock item	3 m bars
10901B	<i>BluLub</i>	On request	6 m bars
10901B-30	<i>BluLub</i>	On request	30 m coils
10903C	<i>Ti-White</i>	Stock item	3 m bars
10903	<i>Ti-White</i>	Stock item	6 m bars
10903-30	<i>Ti-White</i>	On request	30 m coils
10901C	Black	Stock item	3 m bars
10901	Black	Stock item	6 m bars
10901-30	Black	Stock item	30 m coils
10902C	Green	Stock item	3 m bars
10902	Green	Stock item	6 m bars
10902-30	Green	On request	30 m coils
10901AC	AS	Stock item	3 m bars
10901A	AS	Stock item	6 m bars

1111

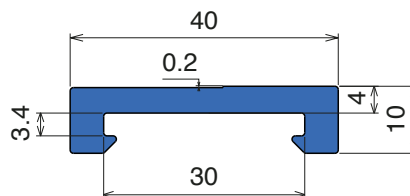
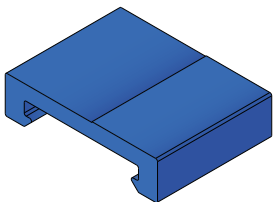
Profilo "U" / U-Profile / U-Profil



Article-Nr.	Material	Availability	Supply*
111105C	Blue	On request	3 m bars
111105	Blue	On request	6 m bars
111105-30	Blue	On request	30 m coils
111101BC	<i>BluLub</i>	On request	3 m bars
111101B	<i>BluLub</i>	On request	6 m bars
111101B-30	<i>BluLub</i>	On request	30 m coils
111103C	<i>Ti-White</i>	On request	3 m bars
111103	<i>Ti-White</i>	On request	6 m bars
111103-30	<i>Ti-White</i>	On request	30 m coils
111101C	Black	On request	3 m bars
111101	Black	On request	6 m bars
111101-30	Black	On request	30 m coils
111102C	Green	On request	3 m bars
111102	Green	On request	6 m bars
111102-30	Green	On request	30 m coils
111101AC	AS	On request	3 m bars
111101A	AS	On request	6 m bars

1113

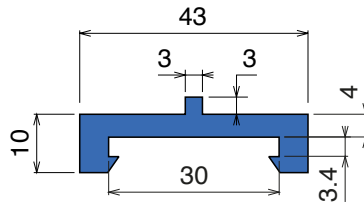
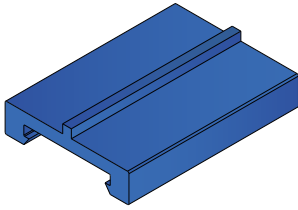
Profilo "U" / U-Profile staggered version / U-Profil



Article-Nr.	Material	Availability	Supply*
111305C	Blue	On request	3 m bars
111305	Blue	On request	6 m bars
111305-30	Blue	On request	30 m coils
111300BC	<i>BluLub</i>	On request	3 m bars
111300B	<i>BluLub</i>	On request	6 m bars
111300B-30	<i>BluLub</i>	On request	30 m coils
111303C	<i>Ti-White</i>	On request	3 m bars
111303	<i>Ti-White</i>	On request	6 m bars
111303-30	<i>Ti-White</i>	On request	30 m coils
111301C	Black	On request	3 m bars
111301	Black	On request	6 m bars
111301-30	Black	On request	30 m coils
111302C	Green	On request	3 m bars
111302	Green	On request	6 m bars
111302-30	Green	On request	30 m coils

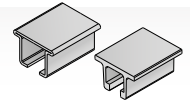
110

Profilo "U" / U-Profile / U-Profil



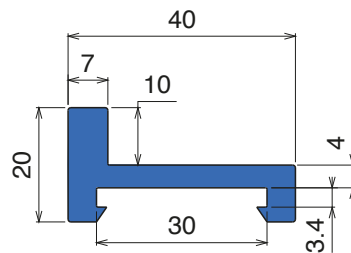
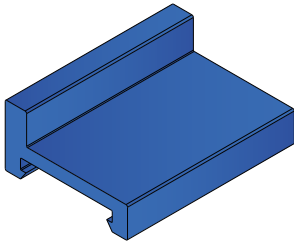
Article-Nr.	Material	Availability	Supply*
11005C	Blue	On request	3 m bars
11005	Blue	On request	6 m bars
11005-30	Blue	On request	30 m coils
11000BC	<i>BluLub</i>	On request	3 m bars
11000B	<i>BluLub</i>	On request	6 m bars
11000B-30	<i>BluLub</i>	On request	30 m coils
11003C	<i>Ti-White</i>	On request	3 m bars
11003	<i>Ti-White</i>	On request	6 m bars
11003-30	<i>Ti-White</i>	On request	30 m coils
11001C	Black	Stock item	3 m bars
11001	Black	On request	6 m bars
11001-30	Black	On request	30 m coils
11002C	Green	Stock item	3 m bars
11002	Green	On request	6 m bars
11002-30	Green	On request	30 m coils

Used with
Part 112 and
Part 147 Pag 123

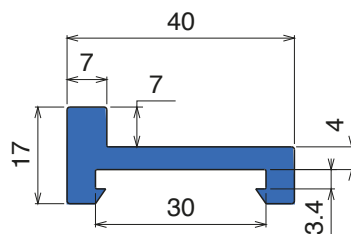
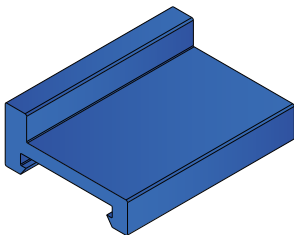


156

Profilo "U" / U-Profile / U-Profil

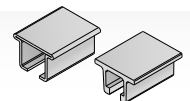


Article-Nr.	Material	Availability	Supply*
15605C	Blue	On request	3 m bars
15605	Blue	On request	6 m bars
15601BC	<i>BluLub</i>	On request	3 m bars
15601B	<i>BluLub</i>	On request	6 m bars
15603C	<i>Ti-White</i>	On request	3 m bars
15603	<i>Ti-White</i>	On request	6 m bars
15601C	Black	Stock item	3 m bars
15601	Black	On request	6 m bars
15602C	Green	Stock item	3 m bars
15602	Green	On request	6 m bars



Article-Nr.	Material	Availability	Supply*
15694C	Blue	On request	3 m bars
15699BC	<i>BluLub</i>	Stock item	3 m bars
15699WC	<i>Ti-White</i>	On request	3 m bars
15699NC	Black	On request	3 m bars
15699C	Green	Stock item	3 m bars

Used with
Part 112 and
Part 147 Pag 123

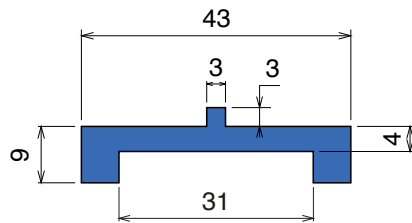
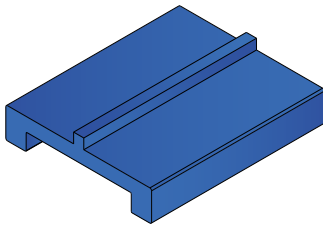


*Standard 3 or 6 meter covers and inserts are typically shipped by common carrier. Selected items can be coiled into cartons for more convenient shipping through UPS.

*Products stored in coils will have the tendency to retain a certain deformation when uncoiled, therefore consistency in the profile cross section over the full length of the coil cannot be guaranteed.

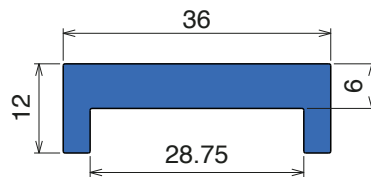
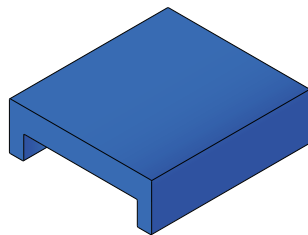
149 Profilo "U" / U-Profile / U-Profil

Coils available



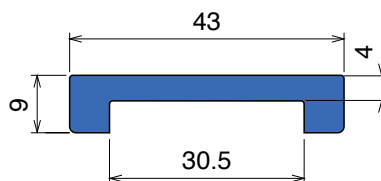
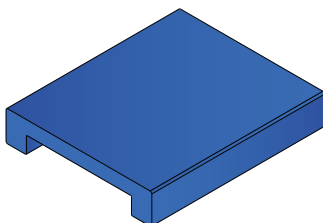
Article-Nr.	Material	Availability	Supply*
14955C	Blue	On request	3 m bars
14955	Blue	On request	6 m bars
14950BC	BluLub	On request	3 m bars
14950B	BluLub	On request	6 m bars
14953C	Ti-White	On request	3 m bars
14953	Ti-White	On request	6 m bars
14950C	Black	Stock item	3 m bars
14950	Black	On request	6 m bars
14952C	Green	Stock item	3 m bars
14952	Green	On request	6 m bars

1066 Profilo "U" / U-Profile / U-Profil



Article-Nr.	Material	Availability	Supply*
106605C	Blue	On request	3 m bars
106605	Blue	On request	6 m bars
106605-30	Blue	On request	30 m coils
106600BC	BluLub	On request	3 m bars
106600B	BluLub	On request	6 m bars
106600B-30	BluLub	On request	30 m coils
106603C	Ti-White	On request	3 m bars
106603	Ti-White	On request	6 m bars
106603-30	Ti-White	On request	30 m coils
106601C	Black	On request	3 m bars
106601	Black	On request	6 m bars
106601-30	Black	On request	30 m coils
106602C	Green	On request	3 m bars
106602	Green	On request	6 m bars
106602-30	Green	On request	30 m coils

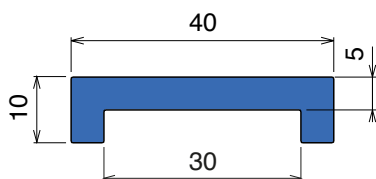
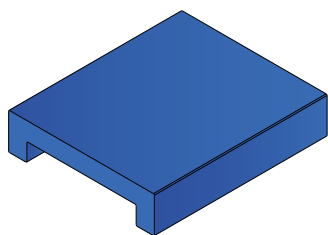
177 Profilo "U" / U-Profile / U-Profil



Article-Nr.	Material	Availability	Supply*
17705C	Blue	On request	3 m bars
17705	Blue	On request	6 m bars
17705-30	Blue	On request	30 m coils
17701BC	BluLub	Stock item	3 m bars
17701B	BluLub	On request	6 m bars
17701B-30	BluLub	On request	30 m coils
17703C	Ti-White	On request	3 m bars
17703	Ti-White	On request	6 m bars
17703-30	Ti-White	On request	30 m coils
17701C	Black	Stock item	3 m bars
17701	Black	Stock item	6 m bars
17701-30	Black	On request	30 m coils
17702C	Green	Stock item	3 m bars
17702	Green	On request	6 m bars
17702-30	Green	On request	30 m coils

1059 Profilo "U" / U-Profile / U-Profil

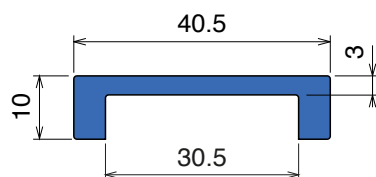
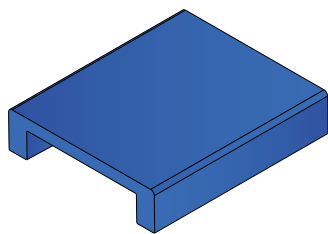
Coils available



Article-Nr.	Material	Availability	Supply*
105905C	Blue	On request	3 m bars
105905	Blue	On request	6 m bars
105905-30	Blue	On request	30 m coils
105901BC	<i>BluLub</i>	Stock item	3 m bars
105901B	<i>BluLub</i>	On request	6 m bars
105901B-30	<i>BluLub</i>	On request	30 m coils
105903C	<i>Ti-White</i>	On request	3 m bars
105903	<i>Ti-White</i>	On request	6 m bars
105903-30	<i>Ti-White</i>	On request	30 m coils
105901C	Black	Stock item	3 m bars
105901	Black	On request	6 m bars
105901-30	Black	On request	30 m coils
105902C	Green	Stock item	3 m bars
105902	Green	On request	6 m bars
105902-30	Green	On request	30 m coils

178 Profilo "U" / U-Profile / U-Profil

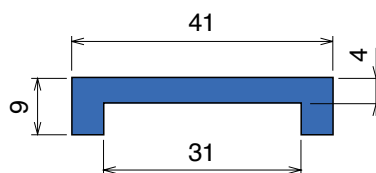
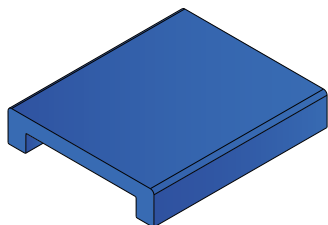
Coils available



Article-Nr.	Material	Availability	Supply*
17805C	Blue	On request	3 m bars
17805	Blue	On request	6 m bars
17805-30	Blue	On request	30 m coils
17801BC	<i>BluLub</i>	Stock item	3 m bars
17801B	<i>BluLub</i>	On request	6 m bars
17801B-30	<i>BluLub</i>	Stock item	30 m coils
17803C	<i>Ti-White</i>	On request	3 m bars
17803	<i>Ti-White</i>	On request	6 m bars
17803-30	<i>Ti-White</i>	Stock item	30 m coils
17801C	Black	Stock item	3 m bars
17801	Black	On request	6 m bars
17801-30	Black	On request	30 m coils
17802C	Green	Stock item	3 m bars
17802	Green	On request	6 m bars
17802-30	Green	Stock item	30 m coils

111 Profilo "U" / U-Profile / U-Profil

Coils available



Article-Nr.	Material	Availability	Supply*
11105C	Blue	On request	3 m bars
11105	Blue	On request	6 m bars
11105-30	Blue	On request	30 m coils
11101BC	<i>BluLub</i>	Stock item	3 m bars
11101B	<i>BluLub</i>	On request	6 m bars
11101B-30	<i>BluLub</i>	On request	30 m coils
11103C	<i>Ti-White</i>	On request	3 m bars
11103	<i>Ti-White</i>	On request	6 m bars
11103-30	<i>Ti-White</i>	On request	30 m coils
11101C	Black	Stock item	3 m bars
11101	Black	Stock item	6 m bars
11101-30	Black	Stock item	30 m coils
11102C	Green	Stock item	3 m bars
11102	Green	Stock item	6 m bars
11102-30	Green	On request	30 m coils

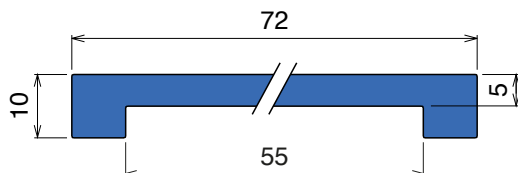
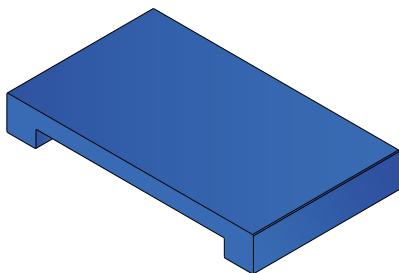
*Standard 3 or 6 meter covers and inserts are typically shipped by common carrier. Selected items can be coiled into cartons for more convenient shipping through UPS.

*Products stored in coils will have the tendency to retain a certain deformation when uncoiled, therefore consistency in the profile cross section over the full length of the coil cannot be guaranteed.

1060

Profilo "U" / U-Profile / U-Profil

Coils available

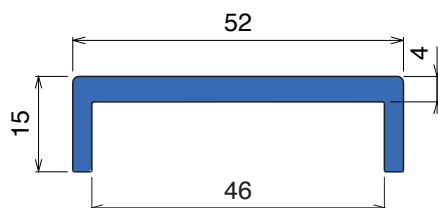
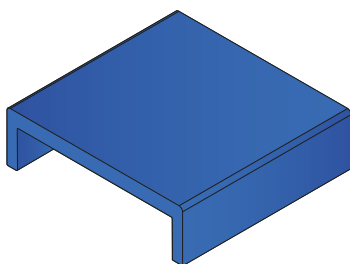


Article-Nr.	Material	Availability	Supply*
106005C	Blue	On request	3 m bars
106005	Blue	On request	6 m bars
106000BC	<i>BluLub</i>	On request	3 m bars
106000B	<i>BluLub</i>	On request	6 m bars
106003C	<i>Ti-White</i>	On request	3 m bars
106003	<i>Ti-White</i>	On request	6 m bars
106001C	Black	Stock item	3 m bars
106001	Black	On request	6 m bars
106002C	Green	Stock item	3 m bars
106002	Green	Stock item	6 m bars

199

Profilo "U" / U-Profile / U-Profil

Coils available

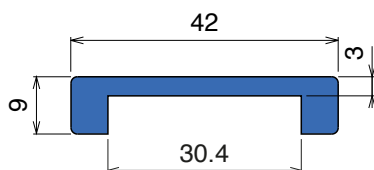
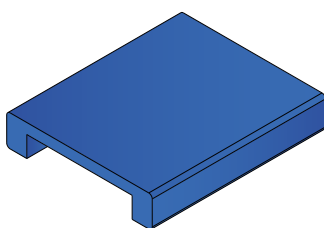


Article-Nr.	Material	Availability	Supply*
19976BLC	Blue	On request	3 m bars
19976BL	Blue	On request	6 m bars
19976BC	<i>BluLub</i>	On request	3 m bars
19976B	<i>BluLub</i>	On request	6 m bars
19976C	<i>Ti-White</i>	Stock item	3 m bars
19976	<i>Ti-White</i>	On request	6 m bars

199

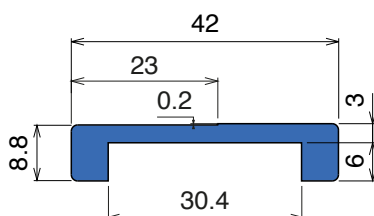
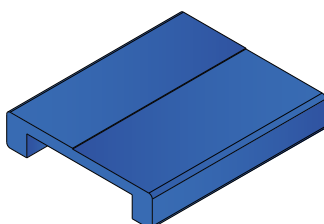
Profilo "U" / U-Profile / U-Profil

Coils available



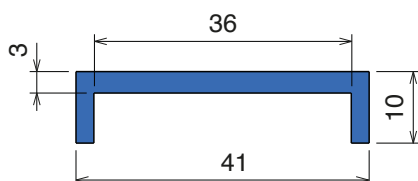
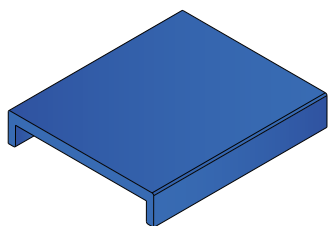
Article-Nr.	Material	Availability	Supply*
19944BL-30	Blue	On request	30 m coils
19944B-30	<i>BluLub</i>	Stock item	30 m coils
19944W-30	<i>Ti-White</i>	On request	30 m coils
19944-30	Black	On request	30 m coils
19940-30	Green	Stock item	30 m coils

Staggered version



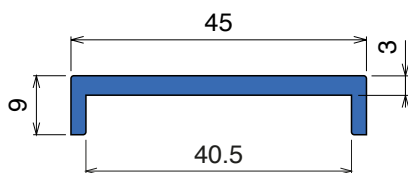
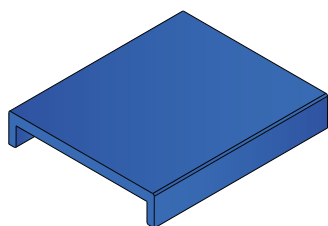
Article-Nr.	Material	Availability	Supply*
19945BL-30	Blue	On request	30 m coils
19945B-30	<i>BluLub</i>	Stock item	30 m coils
19945W-30	<i>Ti-White</i>	On request	30 m coils
19945-30	Black	Stock item	30 m coils
19946-30	Green	Stock item	30 m coils

1115 Profilo "U" / U-Profile / U-Profil



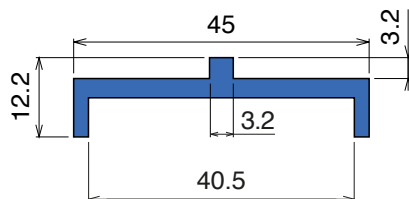
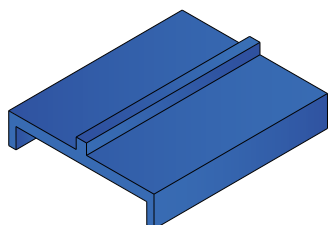
Article-Nr.	Material	Availability	Supply*
111505C	Blue	On request	3 m bars
111505	Blue	On request	6 m bars
111505-30	Blue	On request	30 m coils
111500BC	<i>BluLub</i>	On request	3 m bars
111500B	<i>BluLub</i>	On request	6 m bars
111500B-30	<i>BluLub</i>	On request	30 m coils
111503C	<i>Ti-White</i>	On request	3 m bars
111503	<i>Ti-White</i>	On request	6 m bars
111503-30	<i>Ti-White</i>	On request	30 m coils
111501C	Black	On request	3 m bars
111501	Black	On request	6 m bars
111501-30	Black	On request	30 m coils
111502C	Green	On request	3 m bars
111502	Green	On request	6 m bars
111502-30	Green	On request	30 m coils

1080 Profilo "U" / U-Profile / U-Profil



Article-Nr.	Material	Availability	Supply*
108005C	Blue	On request	3 m bars
108000C	<i>BluLub</i>	On request	3 m bars
108003C	<i>Ti-White</i>	On request	3 m bars
108001C	Black	On request	3 m bars
108002C	Green	On request	3 m bars

1081 Profilo "U" / U-Profile / U-Profil



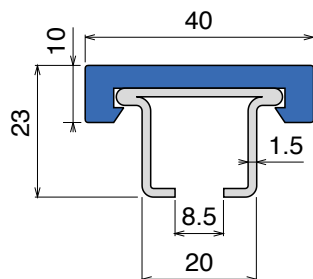
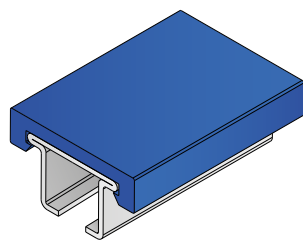
Article-Nr.	Material	Availability	Supply*
108105C	Blue	On request	3 m bars
108105	Blue	On request	6 m bars
108100BC	<i>BluLub</i>	On request	3 m bars
108100B	<i>BluLub</i>	On request	6 m bars
108103C	<i>Ti-White</i>	On request	3 m bars
108103	<i>Ti-White</i>	On request	6 m bars
108101C	Black	On request	3 m bars
108101	Black	On request	6 m bars
108102C	Green	On request	3 m bars
108102	Green	On request	6 m bars

*Standard 3 or 6 meter covers and inserts are typically shipped by common carrier. Selected items can be coiled into cartons for more convenient shipping through UPS.

*Products stored in coils will have the tendency to retain a certain deformation when uncoiled, therefore consistency in the profile cross section over the full length of the coil cannot be guaranteed.

133

Profilo "U" assemblato clip-on / U-Profile assembled clip-on / U-Profil montiert clip-on



Article-Nr.	Material	Metal	Availability	Supply*
13303BLC	Blue	AISI 304	On request	3 m bars
13303BL	Blue	AISI 304	On request	6 m bars
13305BC	BluLub	AISI 304	Stock item	3 m bars
13305B	BluLub	AISI 304	On request	6 m bars
13307C	Ti-White	AISI 304	On request	3 m bars
13307	Ti-White	AISI 304	On request	6 m bars
13303C	Black	AISI 304	Stock item	3 m bars
13303	Black	AISI 304	On request	6 m bars
13301C	Green	AISI 304	Stock item	3 m bars
13301	Green	AISI 304	On request	6 m bars
13303AC	AS	AISI 304	Stock item	3 m bars
13304A	AS	AISI 304	On request	6 m bars

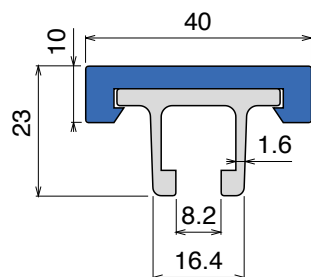
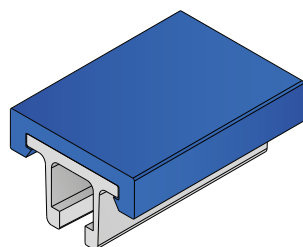
Article-Nr.	Material	Metal	Availability	Supply*
13304BLC	Blue	AISI 430	On request	3 m bars
13304BL	Blue	AISI 430	On request	6 m bars
13306BC	BluLub	AISI 430	Stock item	3 m bars
13306B	BluLub	AISI 430	On request	6 m bars
13308C	Ti-White	AISI 430	On request	3 m bars
13308	Ti-White	AISI 430	On request	6 m bars
13304C	Black	AISI 430	Stock item	3 m bars
13304	Black	AISI 430	On request	6 m bars
13302C	Green	AISI 430	Stock item	3 m bars
13302	Green	AISI 430	On request	6 m bars
13304AC	AS	AISI 430	Stock item	3 m bars
13304A	AS	AISI 430	On request	6 m bars

Assembled with
Accessories
Pag 173 >> 176



148

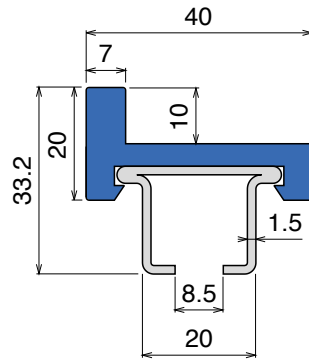
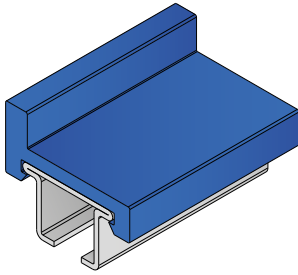
Profilo "U" assemblato clip-on / U-Profile assembled clip-on / U-Profil montiert clip-on



Article-Nr.	Material	Metal	Availability	Supply*
14805C	Blue	Aluminum	On request	3 m bars
14805	Blue	Aluminum	On request	6 m bars
14801BC	BluLub	Aluminum	Stock item	3 m bars
14801B	BluLub	Aluminum	On request	6 m bars
14803C	Ti-White	Aluminum	Stock item	3 m bars
14803	Ti-White	Aluminum	On request	6 m bars
14802C	Black	Aluminum	Stock item	3 m bars
14802	Black	Aluminum	On request	6 m bars
14801C	Green	Aluminum	Stock item	3 m bars
14801	Green	Aluminum	On request	6 m bars
14802AC	AS	Aluminum	Stock item	3 m bars
14802A	AS	Aluminum	On request	6 m bars

157

Profilo "U" assemblato clip-on / U-Profile assembled clip-on / U-Profil montiert clip-on



Article-Nr.	Material	Metal	Availability	Supply
15705C	Blue	AISI 304	On request	3 m bars
15705	Blue	AISI 304	On request	6 m bars
15700BC	BluLub	AISI 304	On request	3 m bars
15700B	BluLub	AISI 304	On request	6 m bars
15703C	Ti-White	AISI 304	On request	3 m bars
15703	Ti-White	AISI 304	On request	6 m bars
15704C	Black	AISI 304	On request	3 m bars
15704	Black	AISI 304	On request	6 m bars
15701C	Green	AISI 304	Stock item	3 m bars
15701	Green	AISI 304	On request	6 m bars

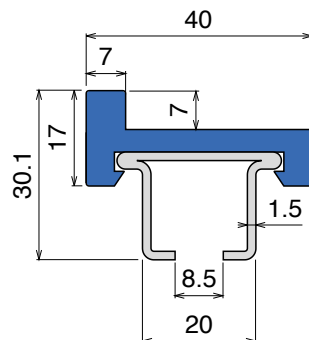
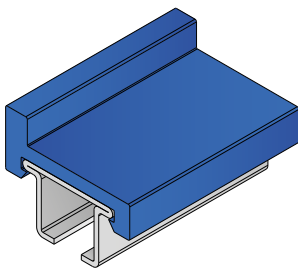
Article-Nr.	Material	Metal	Availability	Supply
15706C	Blue	AISI 430	On request	3 m bars
15706	Blue	AISI 430	On request	6 m bars
15706BC	BluLub	AISI 430	On request	3 m bars
15706B	BluLub	AISI 430	On request	6 m bars
15707C	Ti-White	AISI 430	On request	3 m bars
15707	Ti-White	AISI 430	On request	6 m bars
15708C	Black	AISI 430	On request	3 m bars
15708	Black	AISI 430	On request	6 m bars
15702C	Green	AISI 430	Stock item	3 m bars
15702	Green	AISI 430	On request	6 m bars

Assembled with
Accessories
Pag 173 >> 176



157

Profilo "U" assemblato clip-on / U-Profile assembled clip-on / U-Profil montiert clip-on

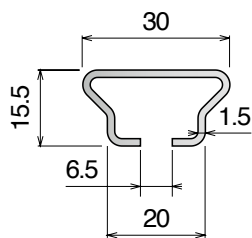
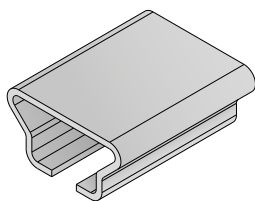


Article-Nr.	Material	Metal	Availability	Supply
15799BLC	Blue	AISI 304	On request	3 m bars
15799BC	BluLub	AISI 304	On request	3 m bars
15799WC	Ti-White	AISI 304	On request	3 m bars
15799NC	Black	AISI 304	On request	3 m bars
15799C	Green	AISI 304	On request	3 m bars

Assembled with
Accessories
Pag 173 >> 176

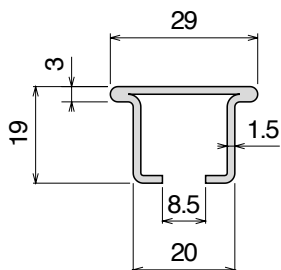
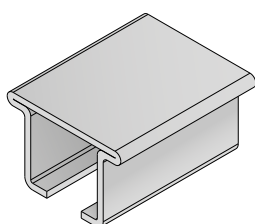


118 Profilo in Acciaio inox / Stainless steel profile / Edelstahl-Profil



Article-Nr.	Material	Availability	Supply*
11801C	AISI 304	Stock item	3 m bars
11801	AISI 304	Stock item	6 m bars
11802C	AISI 430	Stock item	3 m bars
11802	AISI 430	On request	6 m bars

112 Profilo in Acciaio inox / Stainless steel profile / Edelstahl-Profil



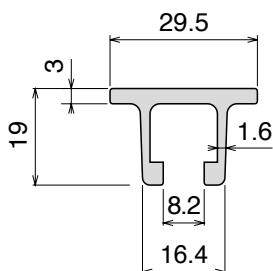
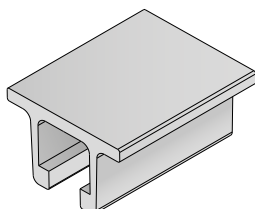
Article-Nr.	Material	Availability	Supply*	Profile cover	Box
11201C	AISI 304	Stock item	3 m bars	301401	60 pcs
11201	AISI 304	Stock item	6 m bars	301401	60 pcs
11202C	AISI 430	Stock item	3 m bars	301401	60 pcs
11202	AISI 430	Stock item	6 m bars	301401	60 pcs



Used with T-bolt
Part 3629 Pag 206
 and Clamp
Part 114/115 Pag 174/176



147 Profilo in alluminio / Aluminum profile / Aluminium-Profil



Article-Nr.	Material	Availability	Supply*	Profile cover	Box
14701C	Aluminum	Stock item	3 m bars	301402	60 pcs
14701	Aluminum	Stock item	6 m bars	301402	60 pcs

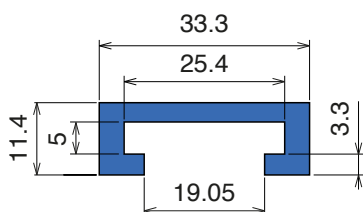
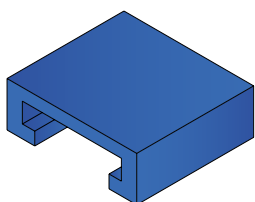


Used with T-bolt
Part 362 Pag 206
 and **BOLT M8**



1041 Profilo "C" / C-Profile / C-Profil

Fit on 25 x 5 mm



North America STANDARD

Article-Nr.	Material	Availability	Supply*
104105C	Blue	On request	3 m bars
104105	Blue	On request	6 m bars
104100BC	BluLub	On request	3 m bars
104100B	BluLub	On request	6 m bars
104103C	Ti-White	Stock item	3 m bars
104103	Ti-White	On request	6 m bars
104102C	Green	On request	3 m bars
104102	Green	On request	6 m bars

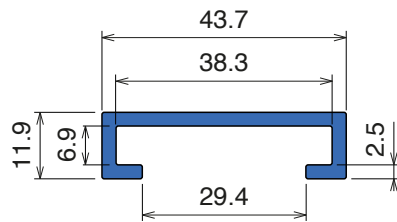
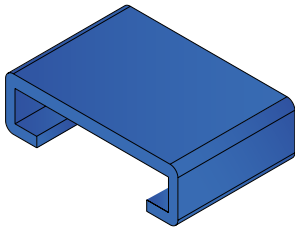
1082-1044-1053-1054

Guide estruse / Extruded profiles / Extrudiertes Profil

*Standard 3 or 6 meter covers and inserts are typically shipped by common carrier. Selected items can be coiled into cartons for more convenient shipping through UPS.

1082 Profilo "C" / C-Profile / C-Profil

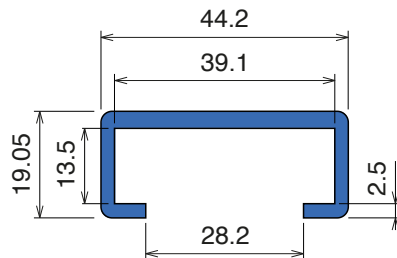
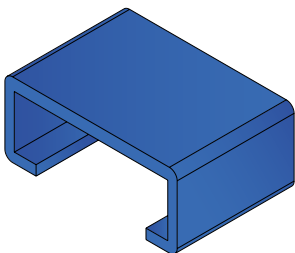
Fit on 38.1 x 6.35 mm



Article-Nr.	Material	Availability	Supply*
108205C	Blue	On request	3 m bars
108205	Blue	On request	6 m bars
108200BC	BluLub	On request	3 m bars
108200B	BluLub	On request	6 m bars
108203C	Ti-White	On request	3 m bars
108203	Ti-White	On request	6 m bars

1044 Profilo "C" / C-Profile / C-Profil

Fit on 38.1 x 12.7 mm

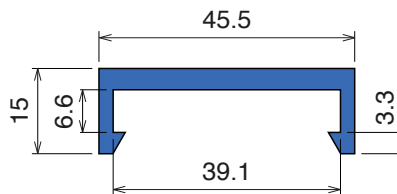
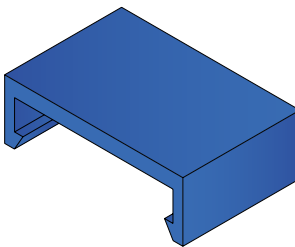


North America STANDARD

Article-Nr.	Material	Availability	Supply*
104405C	Blue	On request	3 m bars
104405	Blue	On request	6 m bars
104400BC	BluLub	On request	3 m bars
104400B	BluLub	On request	6 m bars
104403C	Ti-White	Stock item	3 m bars
104403	Ti-White	On request	6 m bars

1053 Profilo "C" / C-Profile / C-Profil

Fit on 38.1 x 6.35 mm

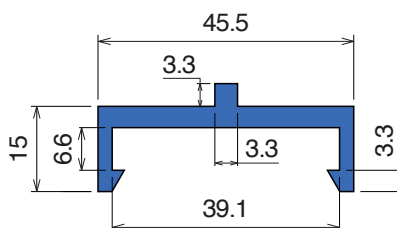
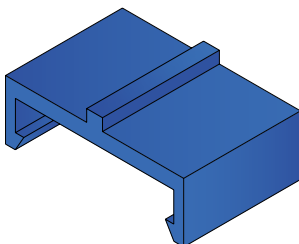


North America STANDARD

Article-Nr.	Material	Availability	Supply*
105305C	Blue	On request	3 m bars
105305	Blue	On request	6 m bars
105300BC	BluLub	On request	3 m bars
105300B	BluLub	On request	6 m bars
105303C	Ti-White	Stock item	3 m bars
105303	Ti-White	On request	6 m bars

1054 Profilo "C" / C-Profile / C-Profil

Fit on 38.1 x 6.35 mm



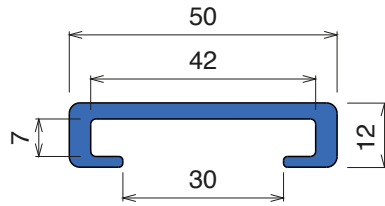
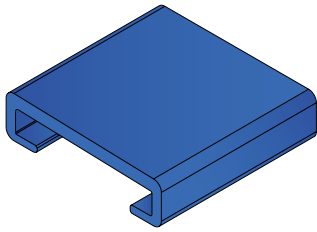
North America STANDARD

Article-Nr.	Material	Availability	Supply*
105405C	Blue	On request	3 m bars
105405	Blue	On request	6 m bars
105400BC	BluLub	On request	3 m bars
105400B	BluLub	On request	6 m bars
105403C	Ti-White	Stock item	3 m bars
105403	Ti-White	On request	6 m bars

1101

Profilo "C" / C-Profile / C-Profil

Fit on 40 x 6 mm

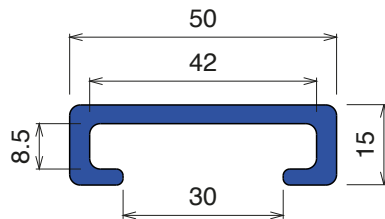
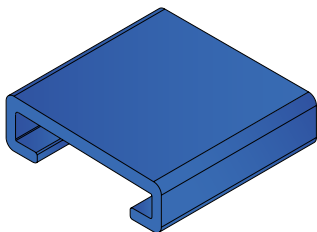


Article-Nr.	Material	Availability	Supply*
110105C	Blue	On request	3 m bars
110105	Blue	On request	6 m bars
110100BC	<i>BluLub</i>	On request	3 m bars
110100B	<i>BluLub</i>	On request	6 m bars
110103C	<i>Ti-White</i>	On request	3 m bars
110103	<i>Ti-White</i>	On request	6 m bars

137

Profilo "C" / C-Profile / C-Profil

Fit on 40 x 8 mm

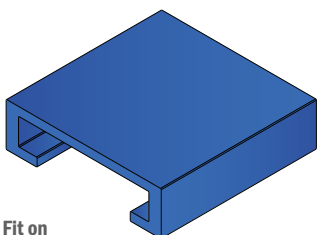


Article-Nr.	Material	Availability	Supply*
13705C	Blue	On request	3 m bars
13705	Blue	On request	6 m bars
13701BC	<i>BluLub</i>	Stock item	3 m bars
13701B	<i>BluLub</i>	On request	6 m bars
13703C	<i>Ti-White</i>	Stock item	3 m bars
13703	<i>Ti-White</i>	On request	6 m bars
13702C	Black	Stock item	3 m bars
13702	Black	On request	6 m bars
13701C	Green	Stock item	3 m bars
13701	Green	Stock item	6 m bars

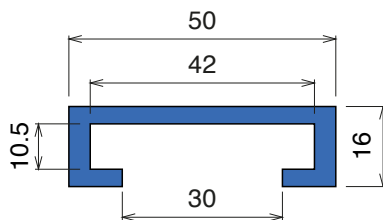
137

Profilo "C" / C-Profile / C-Profil

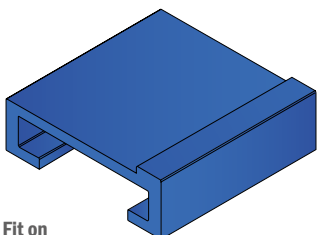
Fit on 40 x 8 mm



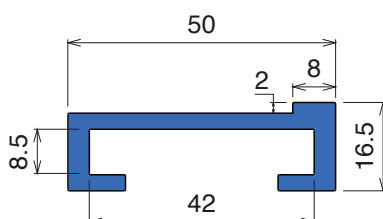
Fit on 40 x 8 mm



Article-Nr.	Material	Availability	Supply*
13715C	Blue	On request	3 m bars
13715	Blue	On request	6 m bars
13711BC	<i>BluLub</i>	Stock item	3 m bars
13711B	<i>BluLub</i>	On request	6 m bars
13713C	<i>Ti-White</i>	On request	3 m bars
13713	<i>Ti-White</i>	On request	6 m bars
13712C	Black	On request	3 m bars
13712	Black	On request	6 m bars
13711C	Green	Stock item	3 m bars
13711	Green	Stock item	6 m bars



Fit on 40 x 10 mm

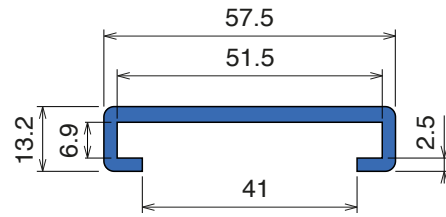
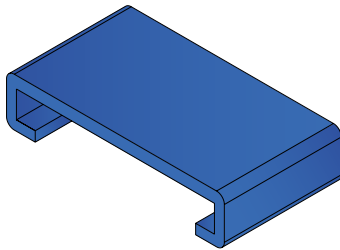


Article-Nr.	Material	Availability	Supply*
13725C	Blue	On request	3 m bars
13725	Blue	On request	6 m bars
13720BC	<i>BluLub</i>	On request	3 m bars
13720B	<i>BluLub</i>	On request	6 m bars
13720C	<i>Ti-White</i>	On request	3 m bars
13720	<i>Ti-White</i>	On request	6 m bars

1042

Profilo "C" / C-Profile / C-Profil

Fit on 50 x 6 mm

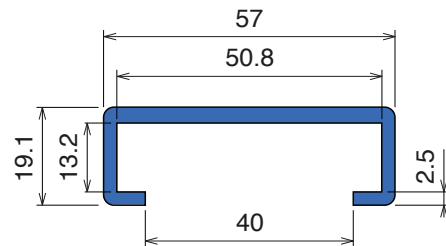
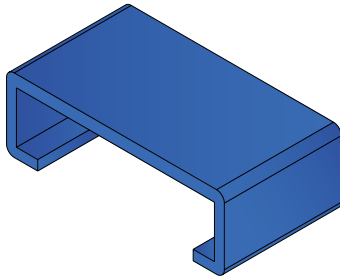


Article-Nr.	Material	Availability	Supply*
104205C	Blue	On request	3 m bars
104205	Blue	On request	6 m bars
104200BC	BluLub	On request	3 m bars
104200B	BluLub	On request	6 m bars
104203C	Ti-White	Stock item	3 m bars
104203	Ti-White	On request	6 m bars
104201C	Green	On request	3 m bars
104201	Green	On request	6 m bars

1045

Profilo "C" / C-Profile / C-Profil

Fit on 50.8 x 12.7 mm



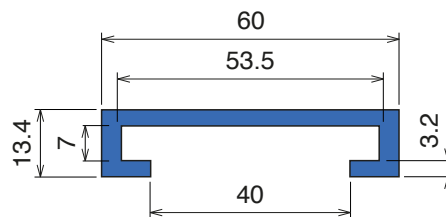
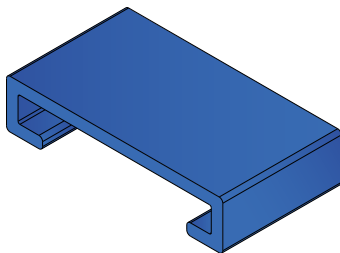
North America STANDARD

Article-Nr.	Material	Availability	Supply*
104505C	Blue	On request	3 m bars
104505	Blue	On request	6 m bars
104500BC	BluLub	On request	3 m bars
104500B	BluLub	On request	6 m bars
104503C	Ti-White	On request	3 m bars
104503	Ti-White	On request	6 m bars

158

Profilo "C" / C-Profile / C-Profil

Fit on 50 x 6 mm



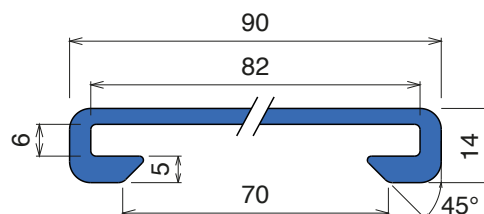
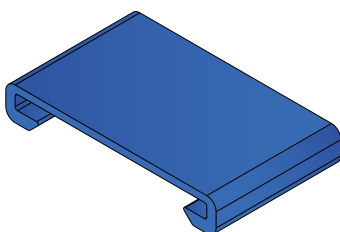
North America STANDARD

Article-Nr.	Material	Availability	Supply*
15894BLC	Blue	On request	3 m bars
15800BC	BluLub	Stock item	3 m bars
15894C	Ti-White	On request	3 m bars
15898C	Black	Stock item	3 m bars
15897C	Green	Stock item	3 m bars
15800C	Grey	Stock item	3 m bars

1102

Profilo "C" / C-Profile / C-Profil

Fit on 80 x 5 mm



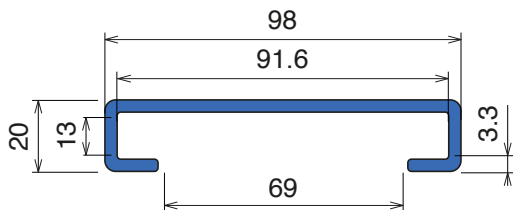
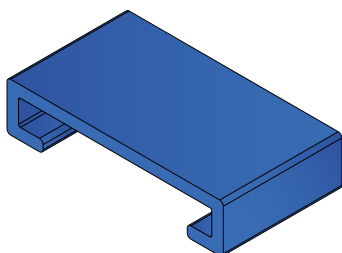
Article-Nr.	Material	Availability	Supply*
110205C	Blue	On request	3 m bars
110205	Blue	On request	6 m bars
110200BC	BluLub	On request	3 m bars
110200B	BluLub	On request	6 m bars
110203C	Ti-White	On request	3 m bars
110203	Ti-White	On request	6 m bars

*Standard 3 or 6 meter covers and inserts are typically shipped by common carrier. Selected items can be coiled into cartons for more convenient shipping through UPS.

*Products stored in coils will have the tendency to retain a certain deformation when uncoiled, therefore consistency in the profile cross section over the full length of the coil cannot be guaranteed.

1107 Profilo "C" / C-Profile / C-Profil

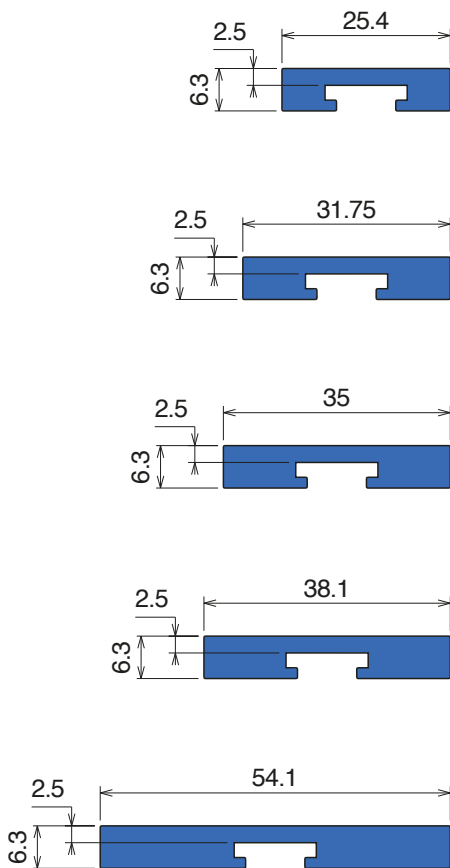
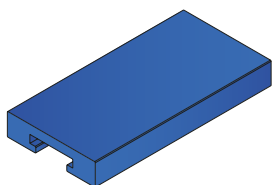
Fit on 90 x 12 mm



Article-Nr.	Material	Availability	Supply*
110705C	Blue	On request	3 m bars
110700BC	<i>BluLub</i>	On request	3 m bars
110703C	<i>Ti-White</i>	On request	3 m bars
110701C	Black	On request	3 m bars

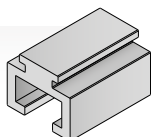
163 Profilo "C" / C-Profile / C-Profil

Coils available

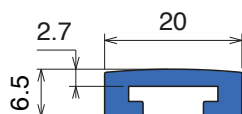
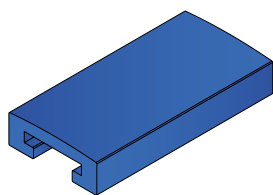


Article-Nr.	Material	A	Availability	Supply*
16303BLC	Blue	25,4	On request	3 m bars
16303BL	Blue	25,4	On request	6 m bars
16303BL-30	Blue	25,4	On request	30 m coils
16313BLC	Blue	31,75	On request	3 m bars
16313BL	Blue	31,75	On request	6 m bars
16313BL-30	Blue	31,75	On request	30 m coils
16323BLC	Blue	35	On request	3 m bars
16323BL	Blue	35	On request	6 m bars
16323BL-30	Blue	35	On request	30 m coils
16324BLC	Blue	38,1	On request	3 m bars
16324BL	Blue	38,1	On request	6 m bars
16324BL-30	Blue	38,1	On request	30 m coils
16325BLC	Blue	54,1	On request	3 m bars
16325BL	Blue	54,1	On request	6 m bars
16325BL-30	Blue	54,1	On request	30 m coils
16303BC	<i>BluLub</i>	25,4	Stock item	3 m bars
16303B	<i>BluLub</i>	25,4	On request	6 m bars
16303B-30	<i>BluLub</i>	25,4	Stock item	30 m coils
16313BC	<i>BluLub</i>	31,75	On request	3 m bars
16313B	<i>BluLub</i>	31,75	On request	6 m bars
16313B-30	<i>BluLub</i>	31,75	On request	30 m coils
16323BC	<i>BluLub</i>	35	On request	3 m bars
16323B	<i>BluLub</i>	35	On request	6 m bars
16323B-30	<i>BluLub</i>	35	On request	30 m coils
16324BC	<i>BluLub</i>	38,1	On request	3 m bars
16324B	<i>BluLub</i>	38,1	On request	6 m bars
16324B-30	<i>BluLub</i>	38,1	On request	30 m coils
16325BC	<i>BluLub</i>	54,1	On request	3 m bars
16325B	<i>BluLub</i>	54,1	On request	6 m bars
16325B-30	<i>BluLub</i>	54,1	On request	30 m coils
16303C	<i>Ti-White</i>	25,4	Stock item	3 m bars
16303	<i>Ti-White</i>	25,4	On request	6 m bars
16303-30	<i>Ti-White</i>	25,4	Stock item	30 m coils
16313C	<i>Ti-White</i>	31,75	Stock item	3 m bars
16313	<i>Ti-White</i>	31,75	On request	6 m bars
16313-30	<i>Ti-White</i>	31,75	On request	30 m coils
16323C	<i>Ti-White</i>	35	Stock item	3 m bars
16323	<i>Ti-White</i>	35	On request	6 m bars
16323-30	<i>Ti-White</i>	35	On request	30 m coils
16324C	<i>Ti-White</i>	38,1	Stock item	3 m bars
16324	<i>Ti-White</i>	38,1	Stock item	6 m bars
16324-30	<i>Ti-White</i>	38,1	On request	30 m coils
16325C	<i>Ti-White</i>	54,1	On request	3 m bars
16325	<i>Ti-White</i>	54,1	On request	6 m bars
16325-30	<i>Ti-White</i>	54,1	On request	30 m coils

Used with
Part 164/165
Pag 129

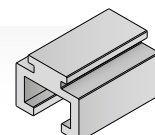


160 Profilo "C" / C-Profile / C-Profil



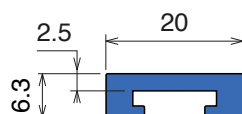
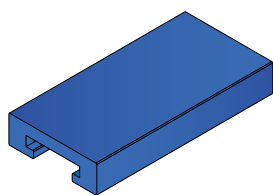
Article-Nr.	Material	Availability	Supply*
16005C	Blue	On request	3 m bars
16005	Blue	On request	6 m bars
16005-30	Blue	On request	30 m coils
16003BC	<i>BluLub</i>	Stock item	3 m bars
16003B	<i>BluLub</i>	On request	6 m bars
16003B-30	<i>BluLub</i>	Stock item	30 m coils
16003C	<i>Ti-White</i>	Stock item	3 m bars
16003	<i>Ti-White</i>	Stock item	6 m bars
16003-30	<i>Ti-White</i>	Stock item	30 m coils

Used with
Part 164/165
Pag 129



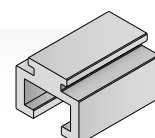
161 Profilo "C" / C-Profile / C-Profil

Coils available

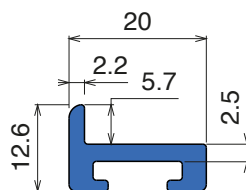
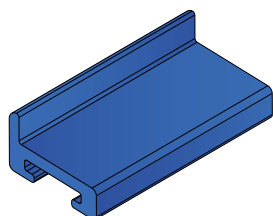


Article-Nr.	Material	Availability	Supply*
16105C	Blue	On request	3 m bars
16105	Blue	On request	6 m bars
16105-30	Blue	On request	30 m coils
16103BC	<i>BluLub</i>	On request	3 m bars
16103B	<i>BluLub</i>	On request	6 m bars
16103B-30	<i>BluLub</i>	Stock item	30 m coils
16103C	<i>Ti-White</i>	Stock item	3 m bars
16103	<i>Ti-White</i>	Stock item	6 m bars
16103-30	<i>Ti-White</i>	Stock item	30 m coils

Used with
Part 164/165
Pag 129

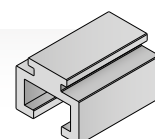


1092 Profilo "C" / C-Profile / C-Profil



Article-Nr.	Material	Availability	Supply*
109205C	Blue	On request	3 m bars
109205	Blue	On request	6 m bars
109200BC	<i>BluLub</i>	On request	3 m bars
109200B	<i>BluLub</i>	On request	6 m bars
109203C	<i>Ti-White</i>	On request	3 m bars
109203	<i>Ti-White</i>	On request	6 m bars

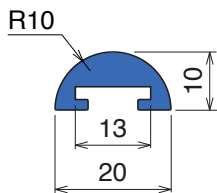
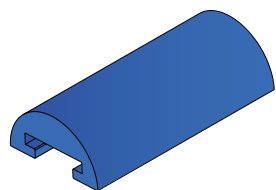
Used with
Part 164/165
Pag 129



*Standard 3 or 6 meter covers and inserts are typically shipped by common carrier. Selected items can be coiled into cartons for more convenient shipping through UPS.

*Products stored in coils will have the tendency to retain a certain deformation when uncoiled, therefore consistency in the profile cross section over the full length of the coil cannot be guaranteed.

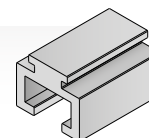
162 Profilo "C" / C-Profile / C-Profil



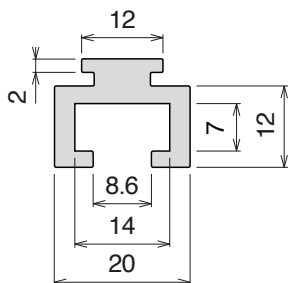
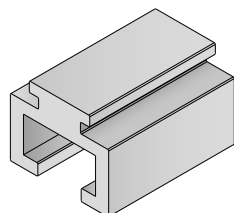
Coils available

Article-Nr.	Material	Availability	Supply*
16205C	Blue	On request	3 m bars
16205	Blue	On request	6 m bars
16205-30	Blue	On request	30 m coils
16202BC	BluLub	Stock item	3 m bars
16202B	BluLub	On request	6 m bars
16202B-30	BluLub	Stock item	30 m coils
16203C	Ti-White	Stock item	3 m bars
16203	Ti-White	On request	6 m bars
16203-30	Ti-White	Stock item	30 m coils
16202C	Green	Stock item	3 m bars
16202	Green	On request	6 m bars
16202-30	Green	Stock item	30 m coils

Used with
Part 164/165
Pag 129



164 Guida in alluminio / Aluminum guide / Aluminium profil



Coils available

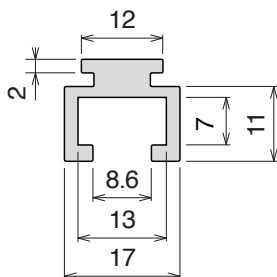
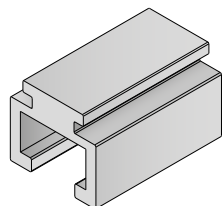
Article-Nr.	Material	Availability	Supply*	Profile cover	Box
16401C	Aluminum	Stock item	3 m bars	301403	60 pcs
16401	Aluminum	Stock item	6 m bars	301403	60 pcs



Used with T-bolt
Part 362 Pag 206



165 Guida in alluminio / Aluminum guide / Aluminium profil



Coils available

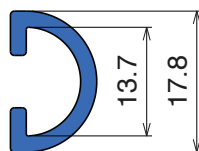
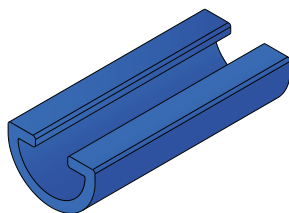
Article-Nr.	Material	Availability	Supply*	Profile cover	Box
16501C	Aluminum	Stock item	3 m bars	301404	60 pcs
16501	Aluminum	Stock item	6 m bars	301404	60 pcs



Used with T-bolt
Part 362 Pag 206

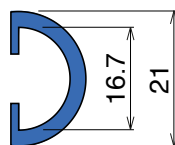
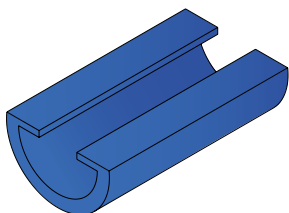


1114 Profilo per mezzitondi / Half round profile for steel rods / Halbmond Profil



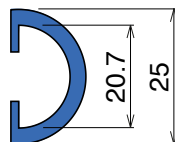
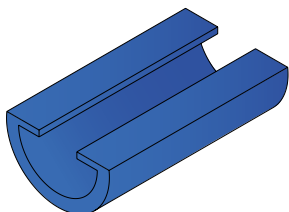
Article-Nr.	Material	Availability	Supply*
111405C	Blue	On request	3 m bars
111405	Blue	On request	6 m bars
111405-30	Blue	On request	30 m coils
111405-60	Blue	On request	60 m coils
111400BC	BluLub	On request	3 m bars
111400B	BluLub	On request	6 m bars
111400B-30	BluLub	On request	30 m coils
111400B-60	BluLub	On request	60 m coils
111403C	Ti-White	On request	3 m bars
111403	Ti-White	On request	6 m bars
111403-30	Ti-White	On request	30 m coils
111403-60	Ti-White	On request	60 m coils

1039 Profilo per mezzitondi / Half round profile for steel rods / Halbmond Profil



Article-Nr.	Material	Availability	Supply*
103925C	Blue	On request	3 m bars
103925	Blue	On request	6 m bars
103925-30	Blue	On request	30 m coils
103925-60	Blue	On request	60 m coils
103923BC	BluLub	On request	3 m bars
103923B	BluLub	On request	6 m bars
103923B-30	BluLub	Stock item	30 m coils
103923B-60	BluLub	On request	60 m coils
103923C	Ti-White	Stock item	3 m bars
103923	Ti-White	On request	6 m bars
103923-30	Ti-White	Stock item	30 m coils
103923-60	Ti-White	Stock item	60 m coils

1083 Profilo per mezzitondi / Half round profile for steel rods / Halbmond Profil

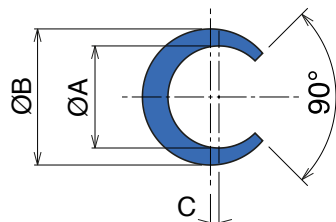
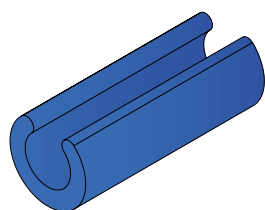


Article-Nr.	Material	Availability	Supply*
108305C	Blue	On request	3 m bars
108305	Blue	On request	6 m bars
108305-30	Blue	On request	30 m coils
108305-60	Blue	On request	60 m coils
108300BC	BluLub	On request	3 m bars
108300B	BluLub	On request	6 m bars
108300B-30	BluLub	On request	30 m coils
108300B-60	BluLub	On request	60 m coils
108303C	Ti-White	On request	3 m bars
108303	Ti-White	On request	6 m bars
108303-30	Ti-White	On request	30 m coils
108303-60	Ti-White	On request	60 m coils

*Standard 3 or 6 meter covers and inserts are typically shipped by common carrier. Selected items can be coiled into cartons for more convenient shipping through UPS.

*Products stored in coils will have the tendency to retain a certain deformation when uncoiled, therefore consistency in the profile cross section over the full length of the coil cannot be guaranteed.

166 Profilo per toncini / Round profile for steel rods / Halbmond Profil

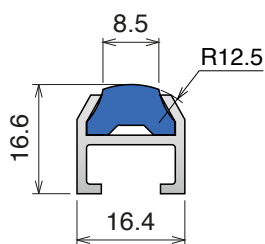
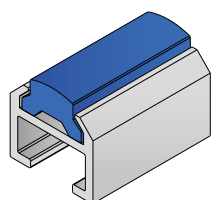


Coils available

Article-Nr.	A	B	C	Material	Availability	Supply*
16601BL	8	12	0.5	Blue	On request	30 m coils
16602BL	10	14	0.5	Blue	On request	30 m coils
16603BL	12	16	1	Blue	On request	30 m coils
16604BL	16	20	1.5	Blue	On request	30 m coils
16601B	8	12	0.5	BluLub	Stock item	30 m coils
16602B	10	14	0.5	BluLub	On request	30 m coils
16603B	12	16	1	BluLub	On request	30 m coils
16604B	16	20	1.5	BluLub	On request	30 m coils
16601	8	12	0.5	Ti-White	Stock item	30 m coils
16602	10	14	0.5	Ti-White	Stock item	30 m coils
16603	12	16	1	Ti-White	Stock item	30 m coils
16604	16	20	1.5	Ti-White	Stock item	30 m coils

154 Guida laterale / Side guide rail / Seitenführungen

Metal profile: Aluminium



Used with
Hex head bolt



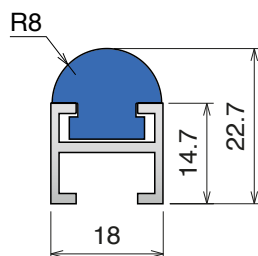
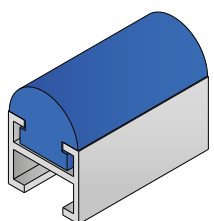
Article-Nr.	Material	Availability	Supply*
15405C	Blue	On request	3 m bars
15405	Blue	On request	6 m bars
15401BC	BluLub	Stock item	3 m bars
15401B	BluLub	On request	6 m bars
15401C	Ti-White	On request	3 m bars
15401	Ti-White	On request	6 m bars
15402C	Green	On request	3 m bars
15402	Green	On request	6 m bars

Only plastic profile

Article-Nr.	Material	Availability	Supply*
15455-30	Blue	On request	30 m coils
15451B-30	BluLub	On request	30 m coils
15451-30	Ti-White	On request	30 m coils
15452-30	Green	On request	30 m coils

155 Guida laterale / Side guide rail / Seitenführungen

Metal profile: Aluminium



Used with T-bolt
Part 362 Pag 206



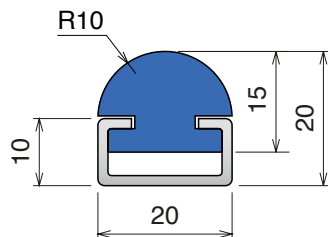
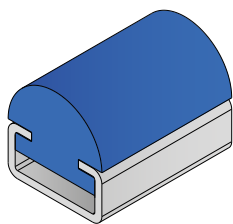
Article-Nr.	Material	Availability	Supply*
15505C	Blue	On request	3 m bars
15500BC	BluLub	On request	3 m bars
15503C	Ti-White	On request	3 m bars
15501C	Green	On request	3 m bars

Only plastic profile

Article-Nr.	Material	Availability	Supply*
15555C	Blue	On request	3 m bars
15550BC	BluLub	On request	3 m bars
15553C	Ti-White	On request	3 m bars
15551C	Green	On request	3 m bars

134 Guida laterale / Side guide rail / Seitenführungen

Metal profile: Stainless steel AISI 304



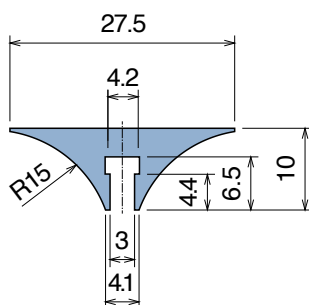
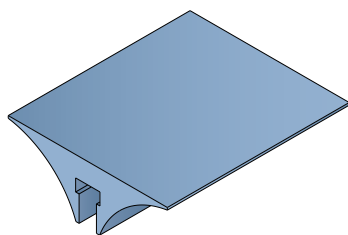
Article-Nr.	Material	Availability	Supply*
13405C	Blue	On request	3 m bars
13405	Blue	On request	6 m bars
13400BC	BluLub	On request	3 m bars
13400B	BluLub	On request	6 m bars
13403C	Ti-White	On request	3 m bars
13403	Ti-White	On request	6 m bars
13401C	Green	Stock item	3 m bars
13401	Green	On request	6 m bars

Only plastic profile

Article-Nr.	Material	Availability	Supply*
13455C	Blue	On request	30 m coils
13450BC	BluLub	On request	30 m coils
13453C	Ti-White	On request	30 m coils
13451C	Green	On request	30 m coils

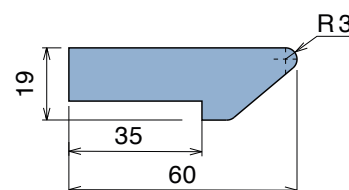
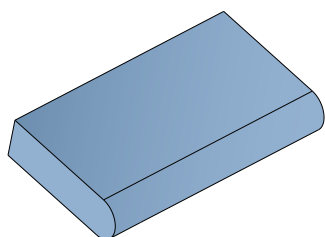
199 Piastra di trasferimento / Transfer plate / Überschubprofil

Fit on 3 mm

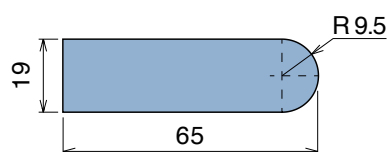


Article-Nr.	Material	Availability	Supply*
19960B	BluLub	Stock item	1,5 m bars
19960	Black	Stock item	1,5 m bars

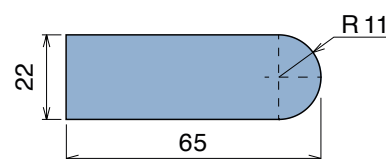
238-228-235 NoseBar / NoseBar / NoseBar



Article-Nr.	Material	Availability	Supply
2381500	BluLub	On request	1,5 m bars



Article-Nr.	Material	Availability	Supply
2281500	BluLub	On request	1,5 m bars



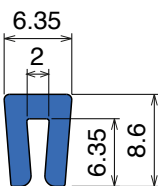
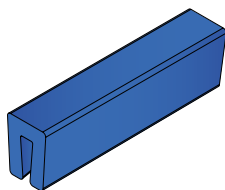
Article-Nr.	Material	Availability	Supply
2351500	BluLub	On request	1,5 m bars

*Standard 3 or 6 meter covers and inserts are typically shipped by common carrier. Selected items can be coiled into cartons for more convenient shipping through UPS.

*Products stored in coils will have the tendency to retain a certain deformation when uncoiled, therefore consistency in the profile cross section over the full length of the coil cannot be guaranteed.

1000 Copri profilo / Bar cap / Abdeckprofil

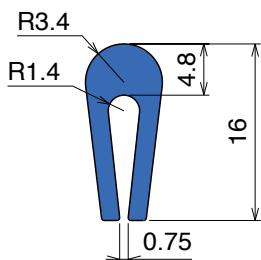
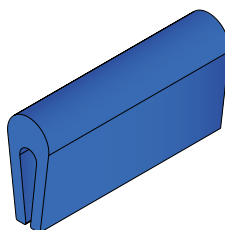
Fit on 1.5 mm (1/16")



Article-Nr.	Material	Availability	Supply*
100005-30	Blue	On request	30 m coils
100000B-30	<i>BluLub</i>	On request	30 m coils
100003-30	<i>Ti-White</i>	Stock item	30 m coils

1001 Copri profilo / Bar cap / Abdeckprofil

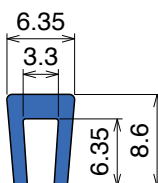
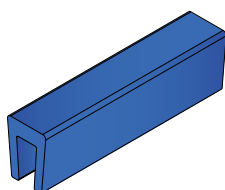
Fit on 1.5 mm (1/16")



Article-Nr.	Material	Availability	Supply*
100105-30	Blue	On request	30 m coils
100103B-30	<i>BluLub</i>	Stock item	30 m coils
100103-30	<i>Ti-White</i>	Stock item	30 m coils

1002 Copri profilo / Bar cap / Abdeckprofil

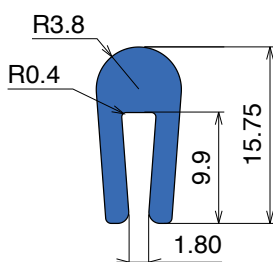
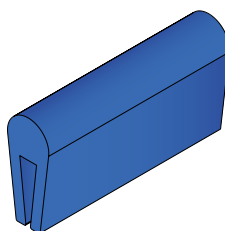
Fit on 3 mm (1/8")



Article-Nr.	Material	Availability	Supply*
100205-30	Blue	On request	30 m coils
100200B-30	<i>BluLub</i>	Stock item	30 m coils
100203-30	<i>Ti-White</i>	Stock item	30 m coils

1109 Copri profilo / Bar cap / Abdeckprofil

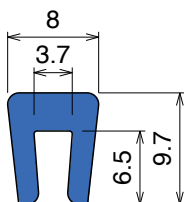
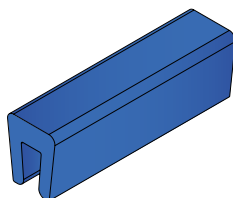
Fit on 3 mm (1/8")



Article-Nr.	Material	Availability	Supply*
110905-30	Blue	On request	30 m coils
110900B-30	<i>BluLub</i>	On request	30 m coils
110903-30	<i>Ti-White</i>	On request	30 m coils

1003 Copri profilo / Bar cap / Abdeckprofil

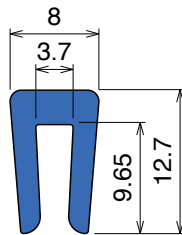
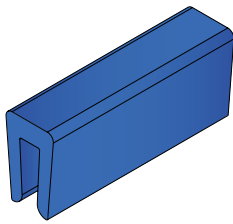
Fit on 3 mm (1/8")



Article-Nr.	Material	Availability	Supply*
100305-30	Blue	On request	30 m coils
100300B-30	<i>BluLub</i>	Stock item	30 m coils
100303-30	<i>Ti-White</i>	Stock item	30 m coils

1004 Copri profilo / Bar cap / Abdeckprofil

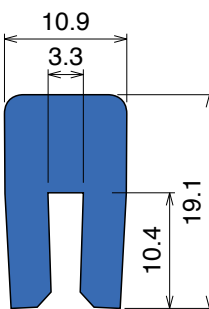
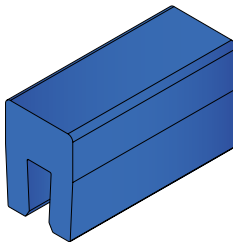
Fit on 3 mm (1/8")



Article-Nr.	Material	Availability	Supply*
100405-30	Blue	On request	30 m coils
100400B-30	BluLub	On request	30 m coils
100403-30	Ti-White	Stock item	30 m coils

1084 Copri profilo / Bar cap / Abdeckprofil

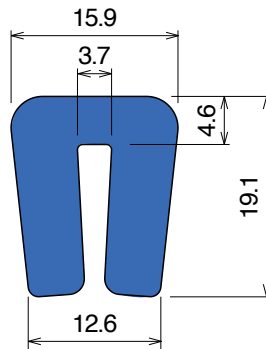
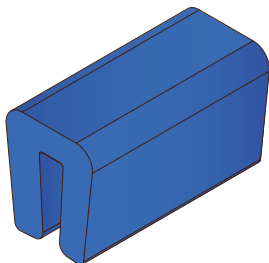
Fit on 3 mm (1/8")



Article-Nr.	Material	Availability	Supply*
108405C	Blue	On request	3 m bars
108405	Blue	On request	6 m bars
108405-30	Blue	On request	30 m coils
108400BC	BluLub	On request	3 m bars
108400B	BluLub	On request	6 m bars
108400B-30	BluLub	On request	30 m coils
108403C	Ti-White	On request	3 m bars
108403	Ti-White	On request	6 m bars
108403-30	Ti-White	On request	30 m coils

1085 Copri profilo / Bar cap / Abdeckprofil

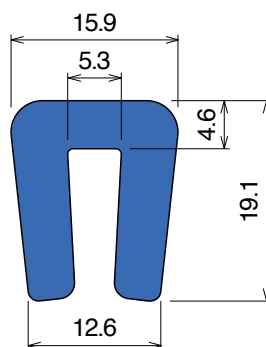
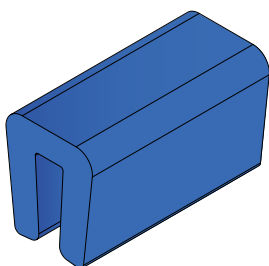
Fit on 3 mm (1/8")



Article-Nr.	Material	Availability	Supply*
108505C	Blue	On request	3 m bars
108505	Blue	On request	6 m bars
108505-30	Blue	On request	30 m coils
108500BC	BluLub	On request	3 m bars
108500B	BluLub	On request	6 m bars
108500B-30	BluLub	On request	30 m coils
108503C	Ti-White	On request	3 m bars
108503	Ti-White	On request	6 m bars
108503-30	Ti-White	On request	30 m coils

153 Copri profilo / Bar cap / Abdeckprofil

Fit on 4/5 mm (3/16")



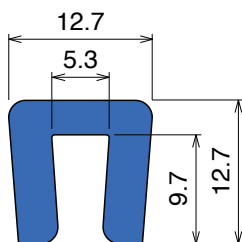
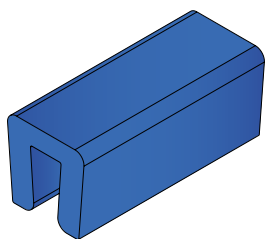
Article-Nr.	Material	Availability	Supply*
15305C	Blue	On request	3 m bars
15305	Blue	On request	6 m bars
15305-30	Blue	On request	30 m coils
15300C	BluLub	Stock item	3 m bars
15300	BluLub	On request	6 m bars
15300-30	BluLub	Stock item	30 m coils
15303C	Ti-White	Stock item	3 m bars
15303	Ti-White	On request	6 m bars
15303-30	Ti-White	Stock item	30 m coils
15302C	Green	Stock item	3 m bars
15302	Green	On request	6 m bars
15302-30	Green	On request	30 m coils

*Standard 3 or 6 meter covers and inserts are typically shipped by common carrier. Selected items can be coiled into cartons for more convenient shipping through UPS.

*Products stored in coils will have the tendency to retain a certain deformation when uncoiled, therefore consistency in the profile cross section over the full length of the coil cannot be guaranteed.

1006 Copri profilo / Bar cap / Abdeckprofil

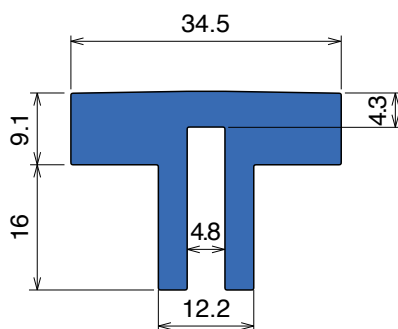
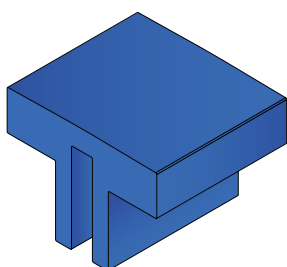
Fit on 5 mm (3/16")



Article-Nr.	Material	Availability	Supply
100605-30	Blue	On request	30 m coils
100600B-30	BluLub	On request	30 m coils
100603-30	Ti-White	Stock item	30 m coils

1007 Copri profilo / Bar cap / Abdeckprofil

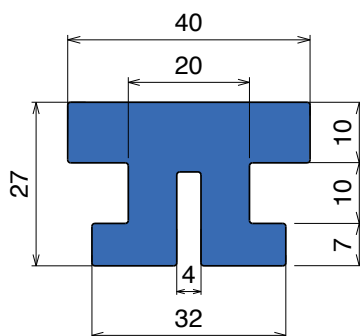
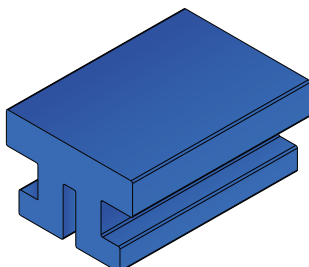
Fit on 5 mm (3/16")



Article-Nr.	Material	Availability	Supply
100705C	Blue	On request	3 m bars
100705	Blue	On request	6 m bars
100703BC	BluLub	Stock item	3 m bars
100703B	BluLub	On request	6 m bars
100703C	Ti-White	Stock item	3 m bars
100703	Ti-White	On request	6 m bars

1095 Copri profilo / Bar cap / Abdeckprofil

Fit on 4 mm



Article-Nr.	Material	Availability	Supply
109501C	Blue	On request	3 m bars
109504BC	BluLub	On request	3 m bars
109503C	Ti-White	On request	3 m bars

Used with Part 3016

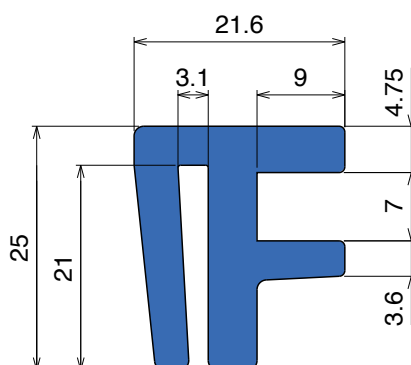
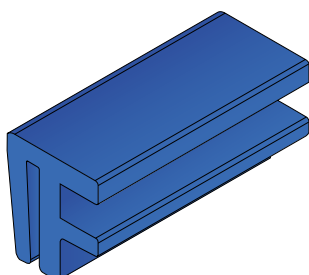
Art-Nr. 301601

Available in box of 24 pcs



1040 Copri profilo / Bar cap / Abdeckprofil

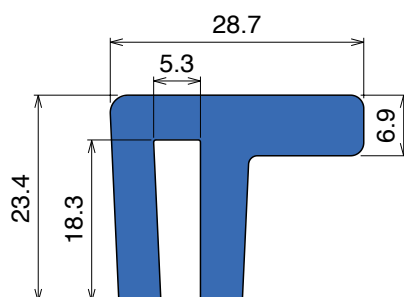
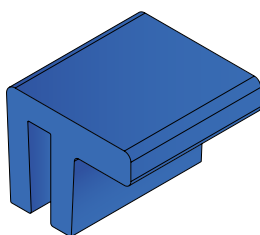
Fit on 3 mm (1/8")



Article-Nr.	Material	Availability	Supply*
104005C	Blue	On request	3 m bars
104005	Blue	On request	6 m bars
104000BC	BluLub	On request	3 m bars
104000B	BluLub	On request	6 m bars
104003C	Ti-White	Stock item	3 m bars
104003	Ti-White	On request	6 m bars

1008 Copri profilo / Bar cap / Abdeckprofil

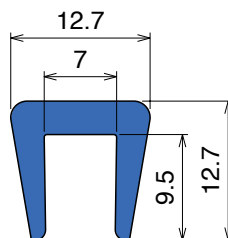
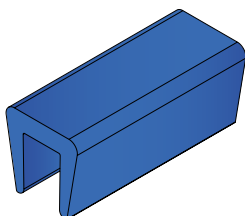
Fit on 5 mm (3/16")



Article-Nr.	Material	Availability	Supply*
100805C	Blue	On request	3 m bars
100805	Blue	On request	6 m bars
100803BC	BluLub	Stock item	3 m bars
100803B	BluLub	On request	6 m bars
100803C	Ti-White	Stock item	3 m bars
100803	Ti-White	Stock item	6 m bars

1009 Copri profilo / Bar cap / Abdeckprofil

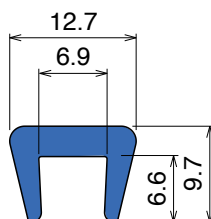
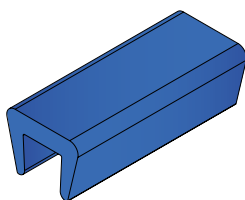
Fit on 6 mm (1/4")



Article-Nr.	Material	Availability	Supply*
100905-30	Blue	On request	30 m coils
100900B-30	BluLub	On request	30 m coils
100903-30	Ti-White	Stock item	30 m coils

1010 Copri profilo / Bar cap / Abdeckprofil

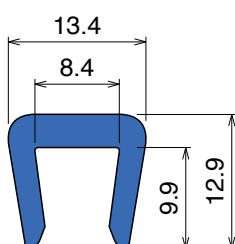
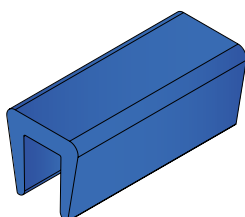
Fit on 6 mm (1/4")



Article-Nr.	Material	Availability	Supply*
101005-30	Blue	On request	30 m coils
101000B-30	BluLub	On request	30 m coils
101003-30	Ti-White	Stock item	30 m coils

1086 Copri profilo / Bar cap / Abdeckprofil

Fit on 8 mm (5/16")



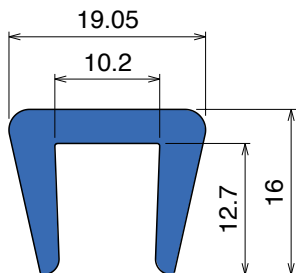
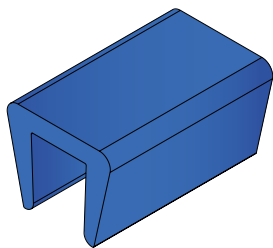
Article-Nr.	Material	Availability	Supply*
108605-30	Blue	On request	30 m coils
108600B-30	BluLub	On request	30 m coils
108603-30	Ti-White	On request	30 m coils

*Standard 3 or 6 meter covers and inserts are typically shipped by common carrier. Selected items can be coiled into cartons for more convenient shipping through UPS.

*Products stored in coils will have the tendency to retain a certain deformation when uncoiled, therefore consistency in the profile cross section over the full length of the coil cannot be guaranteed.

1011 Copri profilo / Bar cap / Abdeckprofil

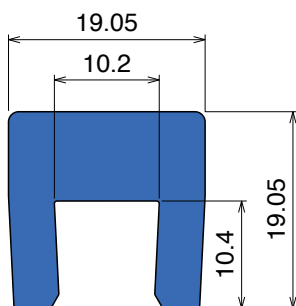
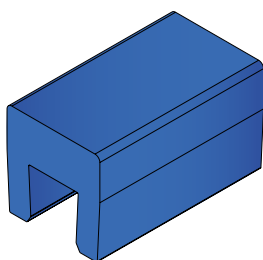
Fit on 10 mm (3/8")



Article-Nr.	Material	Availability	Supply
101105-30	Blue	On request	30 m coils
101100B-30	<i>BluLub</i>	On request	30 m coils
101103-30	<i>Ti-White</i>	On request	30 m coils

1013 Copri profilo / Bar cap / Abdeckprofil

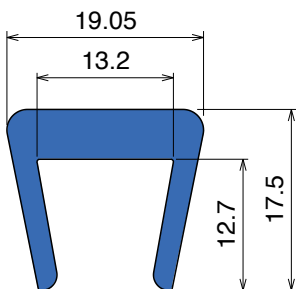
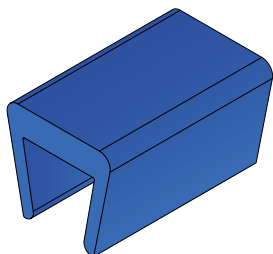
Fit on 10 mm (3/8")



Article-Nr.	Material	Availability	Supply
101305C	Blue	On request	3 m bars
101305	Blue	On request	6 m bars
101300BC	<i>BluLub</i>	On request	3 m bars
101300B	<i>BluLub</i>	On request	6 m bars
101303C	<i>Ti-White</i>	On request	3 m bars
101303	<i>Ti-White</i>	On request	6 m bars

1012 Copri profilo / Bar cap / Abdeckprofil

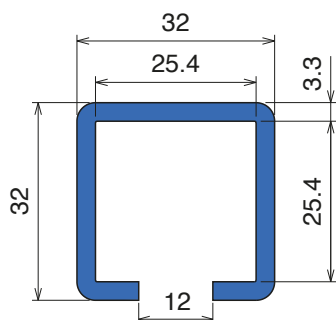
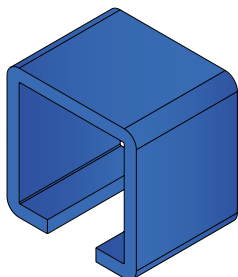
Fit on 12/13 mm (1/2")



Article-Nr.	Material	Availability	Supply
101205-30	Blue	On request	30 m coils
101200B-30	<i>BluLub</i>	On request	30 m coils
101203-30	<i>Ti-White</i>	Stock item	30 m coils

181 Copri profilo / Bar cover / Abdeckprofil

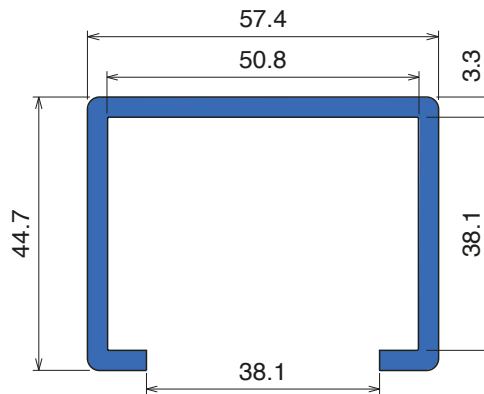
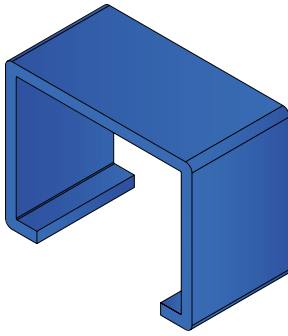
Fit on 25.4 x 25.4 mm (1" x 1")



Article-Nr.	Material	Availability	Supply
18105C	Blue	On request	3 m bars
18105	Blue	On request	6 m bars
18100BC	<i>BluLub</i>	On request	3 m bars
18100B	<i>BluLub</i>	On request	6 m bars
18103C	<i>Ti-White</i>	Stock item	3 m bars
18103	<i>Ti-White</i>	On request	6 m bars

1052 Copri profilo / Bar cover / Abdeckprofil

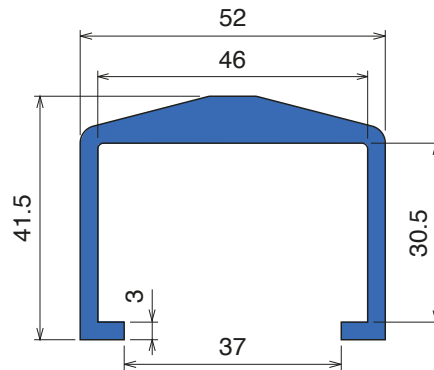
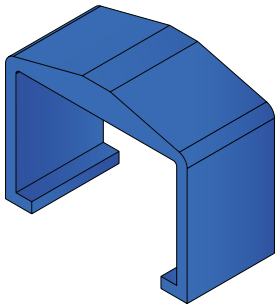
Fit on 38.1 x 50.8 mm (1-1/2"x2")



Article-Nr.	Material	Availability	Supply
105205C	Blue	On request	3 m bars
105205	Blue	On request	6 m bars
105200BC	<i>BluLub</i>	On request	3 m bars
105200B	<i>BluLub</i>	On request	6 m bars
105203C	<i>Ti-White</i>	Stock item	3 m bars
105203	<i>Ti-White</i>	On request	6 m bars

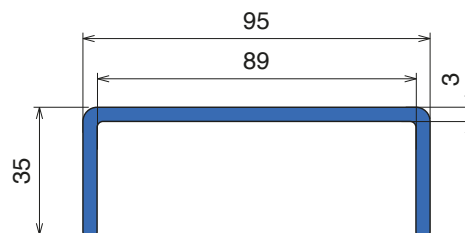
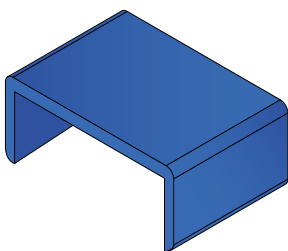
180 Copri profilo / Bar cover / Abdeckprofil

Fit on 30.5 x 46 mm



Article-Nr.	Material	Availability	Supply
18005C	Blue	On request	3 m bars
18005	Blue	On request	6 m bars
18000BC	<i>BluLub</i>	On request	3 m bars
18000B	<i>BluLub</i>	On request	6 m bars
18003C	<i>Ti-White</i>	On request	3 m bars
18003	<i>Ti-White</i>	On request	6 m bars

1108 Copri profilo / Bar cover / Abdeckprofil

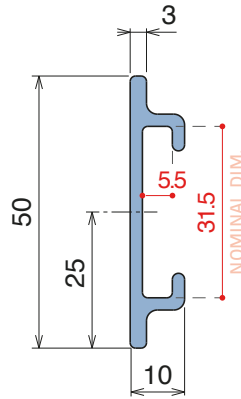
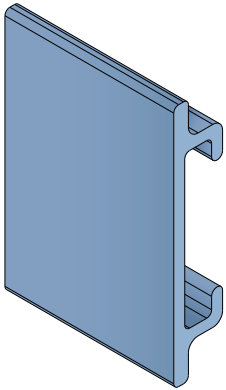


Article-Nr.	Material	Availability	Supply
110805C	Blue	On request	3 m bars
110800BC	<i>BluLub</i>	On request	3 m bars
110803C	<i>Ti-White</i>	On request	3 m bars

1063

Guida laterale / Side guide / Seitenführung

Fit on 30 x 4 mm

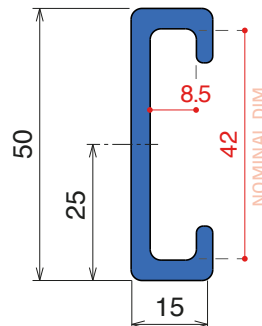
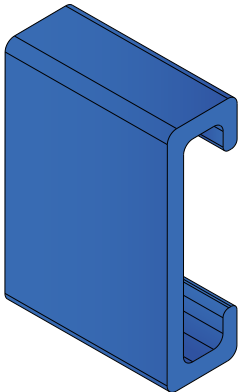


Article-Nr.	Material	Availability	Supply
106300BC	BluLub	On request	3 m bars
106301C	Black	Stock item	3 m bars
106302C	Green	Stock item	3 m bars

137

Guida laterale / Side guide / Seitenführung

Fit on 40 x 8 mm



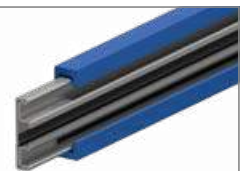
Article-Nr.	Material	Availability	Supply
13705C	Blue	On request	3 m bars
13705	Blue	On request	6 m bars
13701BC	BluLub	Stock item	3 m bars
13701B	BluLub	On request	6 m bars
13703C	Ti-White	Stock item	3 m bars
13703	Ti-White	On request	6 m bars
13702C	Black	Stock item	3 m bars
13702	Black	On request	6 m bars
13701C	Green	Stock item	3 m bars
13701	Green	Stock item	6 m bars

Part 117
Pag 159



Option of application - M-Profile

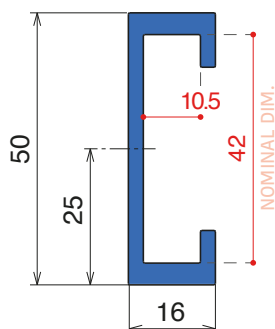
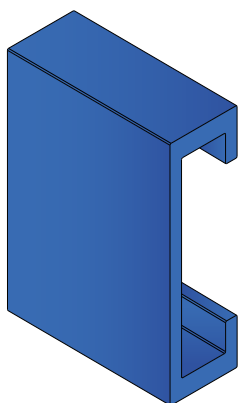
Part 1055
Pag 159



Option of application - Guide

137 Guida laterale / Side guide / Seitenführung

Fit on 40 x 10 mm



Article-Nr.	Material	Availability	Supply
13715C	Blue	On request	3 m bars
13715	Blue	On request	6 m bars
13711BC	<i>BluLub</i>	Stock item	3 m bars
13711B	<i>BluLub</i>	On request	6 m bars
13713C	<i>Ti-White</i>	On request	3 m bars
13713	<i>Ti-White</i>	On request	6 m bars
13712C	Black	On request	3 m bars
13712	Black	On request	6 m bars
13711C	Green	Stock item	3 m bars
13711	Green	Stock item	6 m bars

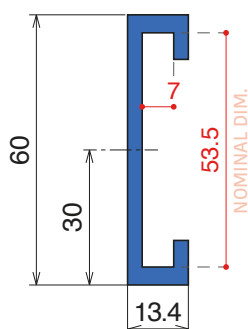
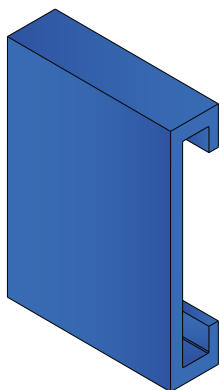
Part 117
Pag 159



Option of application - M-Profile

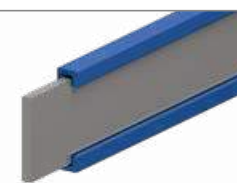
158 Guida laterale / Side guide / Seitenführung

Fit on 50 x 6 mm



Article-Nr.	Material	Availability	Supply
15894BLC	Blue	On request	3 m bars
15800BC	<i>BluLub</i>	Stock item	3 m bars
15894C	<i>Ti-White</i>	On request	3 m bars
15898C	Black	Stock item	3 m bars
15897C	Green	Stock item	3 m bars
15800C	Grey	Stock item	3 m bars

Plate
50 x 6 mm



Option of application - Plate

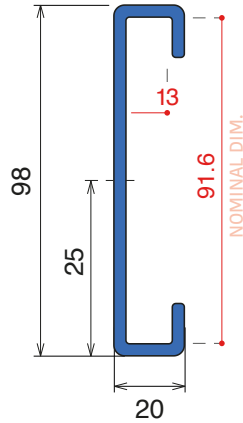
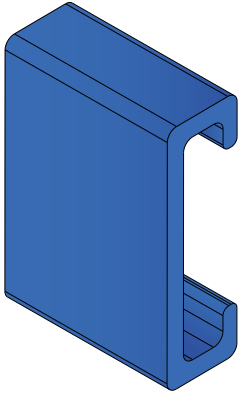
Part 159
Pag 159



Option of application - Guide

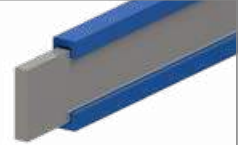
1107 Side guide

Fit on 90 x 12 mm



Article-Nr.	Material	Availability	*Supply
110705C	Blue	On request	3 m bars
110700BC	BluLub	On request	3 m bars
110703C	Ti-White	On request	3 m bars
110701C	Black	On request	3 m bars

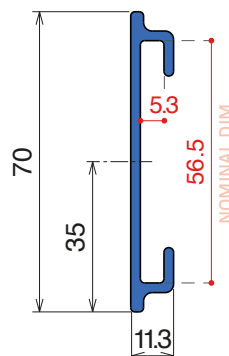
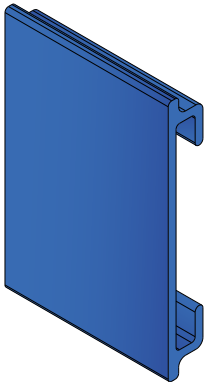
Plate
90 x 12 mm



Option of application - Plate

1064 Guida laterale / Side guide / Seitenführung

Fit on 55 x 4 mm



Article-Nr.	Material	Availability	Supply
106405C	Blue	On request	3 m bars
106400BC	BluLub	On request	3 m bars
106403C	Ti-White	On request	3 m bars
106401C	Black	Stock item	3 m bars

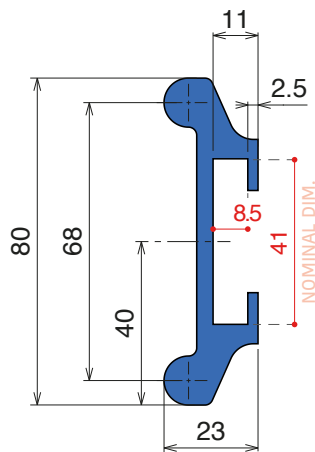
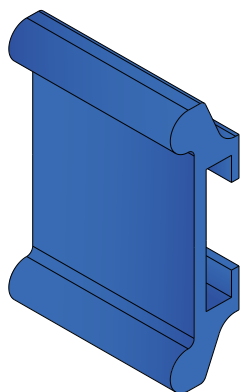
Plate
55 x 4 mm



Option of application - Plate

183 Guida laterale / Side guide / Seitenführung

Fit on 40 x 8 mm



Article-Nr.	Material	Availability	Supply
18305C	Blue	On request	3 m bars
18301BC	BluLub	Stock item	3 m bars
18301C	Black	Stock item	3 m bars
18397C	Green	Stock item	3 m bars

Part 117 Pag 159



Option of application - M-Profile

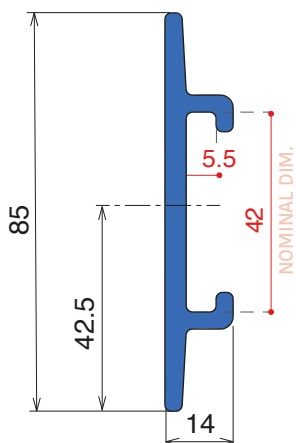
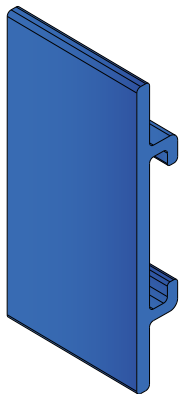
Part 1055 Pag 159



Option of application - Guide

1103 Guida laterale / Side guide / Seitenführung

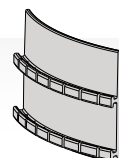
Fit on 40 x 4 mm



Article-Nr.	Material	Availability	Supply
110305C	Blue	On request	3 m bars
110300BC	BluLub	On request	3 m bars
110304C	Green	On request	3 m bars

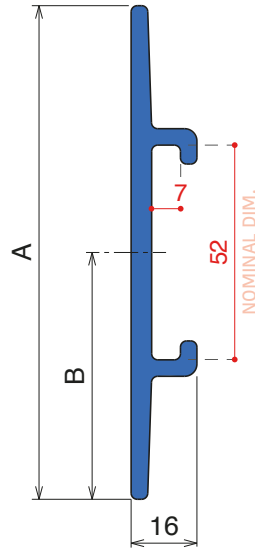
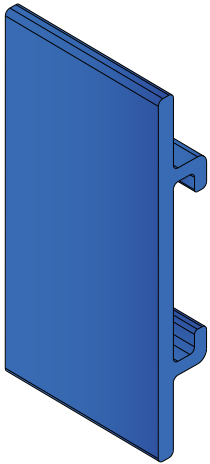
Easy Bendable

For the grooved version, just add "S" to the related Article Nr.

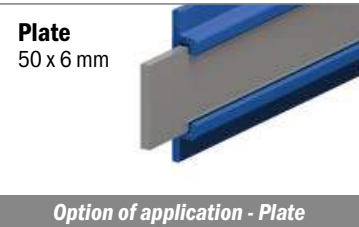


158 Guida laterale / Side guide / Seitenführung

Fit on 50 x 6 mm

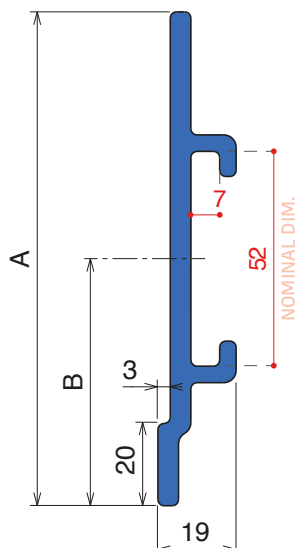
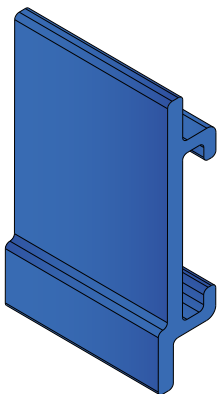


Article-Nr.	A	B	Material	Availability	Supply
15801BLC	90	45	Blue	On request	3 m bars
15802BLC	100	50	Blue	On request	3 m bars
15803BLC	120	60	Blue	On request	3 m bars
15804BLC	140	70	Blue	On request	3 m bars
15801BC	90	45	<i>BluLub</i>	Stock item	3 m bars
15802BC	100	50	<i>BluLub</i>	Stock item	3 m bars
15803BC	120	60	<i>BluLub</i>	Stock item	3 m bars
15804BC	140	70	<i>BluLub</i>	On request	3 m bars
15831C	90	45	<i>Ti-White</i>	On request	3 m bars
15832C	100	50	<i>Ti-White</i>	On request	3 m bars
15833C	120	60	<i>Ti-White</i>	On request	3 m bars
15834C	140	70	<i>Ti-White</i>	On request	3 m bars
15801C	90	45	Grey	Stock item	3 m bars
15802C	100	50	Grey	Stock item	3 m bars
15803C	120	60	Grey	Stock item	3 m bars
15804C	140	70	Grey	On request	3 m bars

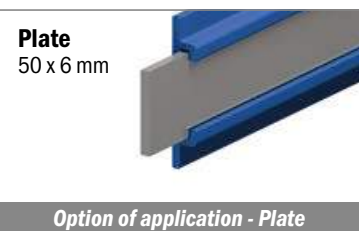


194 Guida laterale con salva etichetta / Side guide with lable saver / Seitenführung mit Etikettenschutz

Fit on 50 x 6 mm



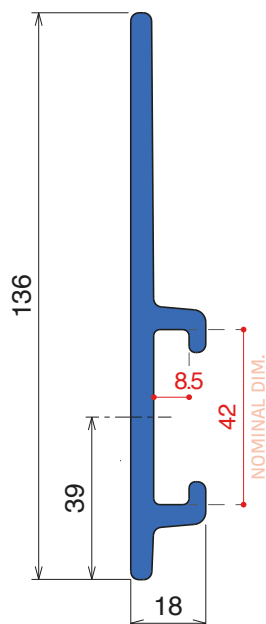
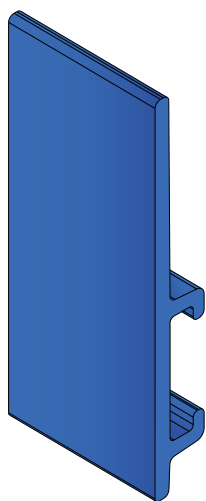
Article-Nr.	A	B	Material	Availability	Supply
19400BLC	90	45	Blue	On request	3 m bars
19403BLC	120	60	Blue	On request	3 m bars
19400BC	90	45	<i>BluLub</i>	Stock item	3 m bars
19403BC	120	60	<i>BluLub</i>	Stock item	3 m bars
19430C	90	45	<i>Ti-White</i>	On request	3 m bars
19433C	120	60	<i>Ti-White</i>	On request	3 m bars
19400C	90	45	Grey	On request	3 m bars
19403C	120	60	Grey	On request	3 m bars



189

Guida laterale / Side guide / Seitenführung

Fit on 40 x 8 mm



Article-Nr.	Material	Availability	Supply
18912BLC	Blue	On request	3 m bars
18912BC	BluLub	Stock item	3 m bars
18916C	Grey	On request	3 m bars

Part 117

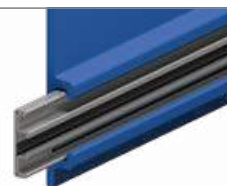
Pag 159



Option of application - M-Profile

Part 1055

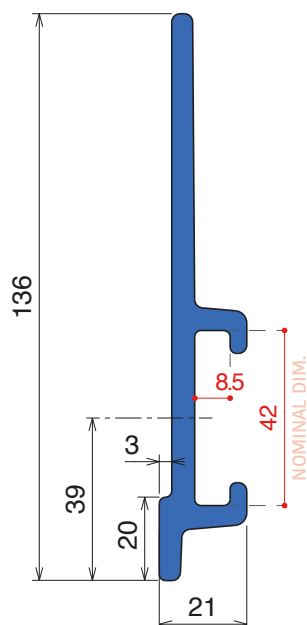
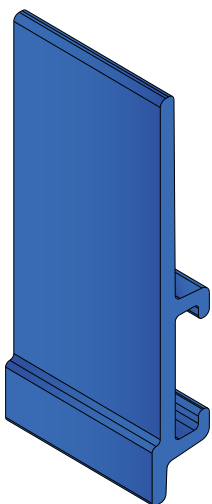
Pag 159



Option of application - Guide

Guida laterale con salva etichetta

Side guide with lable saver / Seitenführung mit Etikettenschutz



Article-Nr.	Material	Availability	Supply
18910BLC	Blue	On request	3 m bars
18910BC	BluLub	Stock item	3 m bars
18914C	Grey	Stock item	3 m bars

Part 117

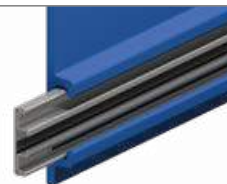
Pag 159



Option of application - M-Profile

Part 1055

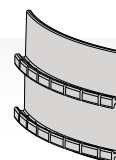
Pag 159



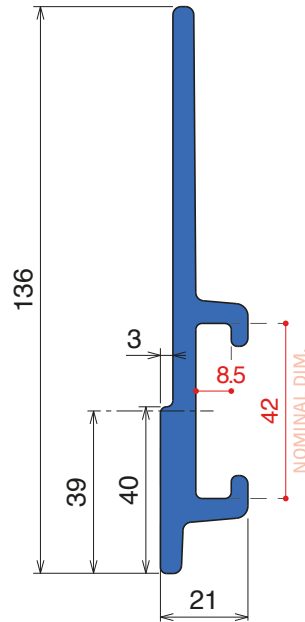
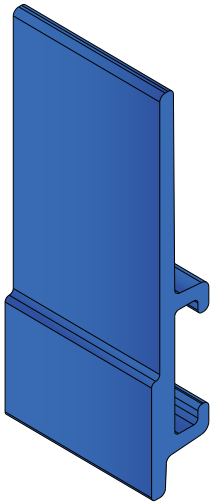
Option of application - Guide

Easy Bendable

For the grooved version, just add "-S" to the related Article Nr.



Guida laterale con salva etichetta
Side guide with lable saver / Seitenführung mit Etikettenschutz

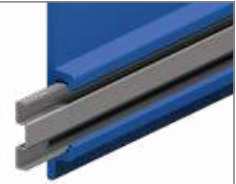


Article-Nr.	Material	Availability	Supply
18911BLC	Blue	On request	3 m bars
18911BC	BluLub	Stock item	3 m bars
18915C	Grey	On request	3 m bars

Part 117
Pag 159

Valid also for **RS** versions

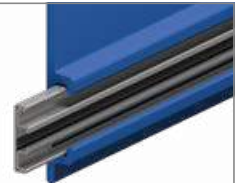
Option of application - M-Profile



Part 1055
Pag 159

Valid also for **RS** versions

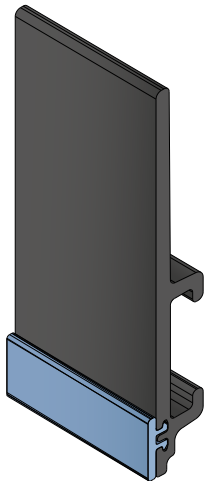
Option of application - Guide



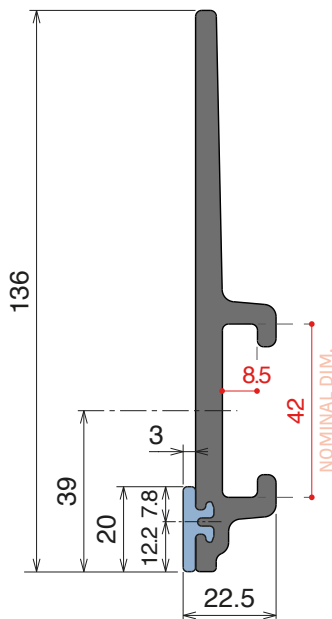
1079

RS Guida laterale con salva etichetta / *Side guide with lable saver / Seitenführung mit Etikettenschutz*

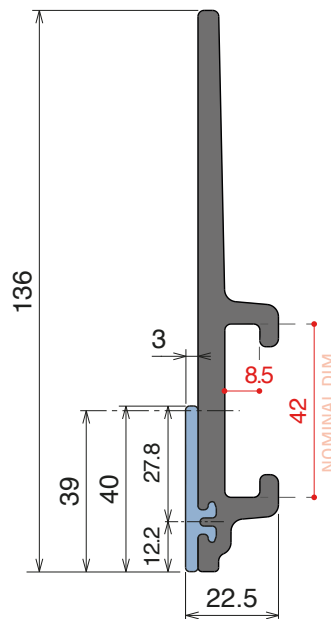
Fit on 40 x 8 mm



Article-Nr.	Version	Material	Availability	Supply
107900	A	Black+ BluLub	On request	3 m bars
107901	B	Black+ BluLub	On request	3 m bars



VERSION A - Label saver 2 cm



VERSION B - Label saver 4 cm

Base profile

Art-Nr.	Supply
18980	3 m bars

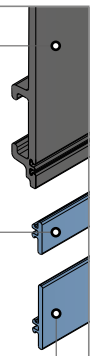
Label saver 2 cm

Art-Nr.	Supply
18987	30 m coils

Label saver 4 cm

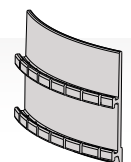
Art-Nr.	Supply
18988	30 m coils

Single components



Easy Bendable

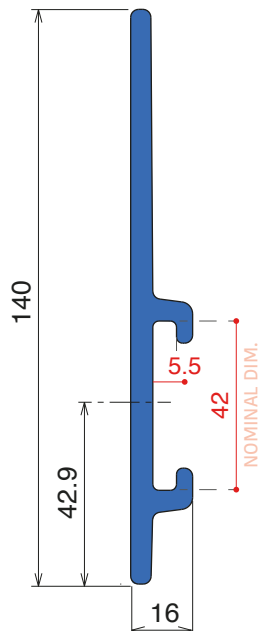
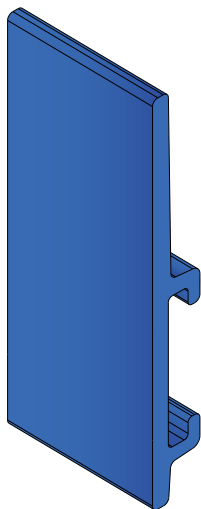
For the grooved version, just add "-S" to the related Article Nr.



1104

Guida laterale con salva etichetta / Side guide with lable saver / Seitenführung mit Etikettenschutz

Fit on 40 x 4 mm

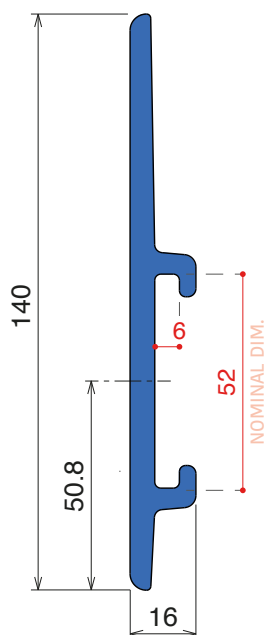
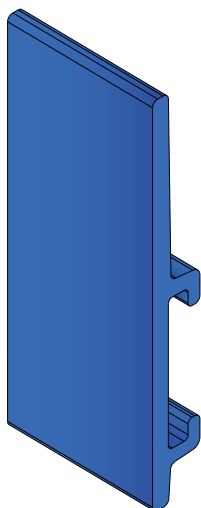


Article-Nr.	Material	Availability	Supply
110405C	Blue	On request	3 m bars
110400BC	BluLub	On request	3 m bars
110404C	Grey	On request	3 m bars

1096

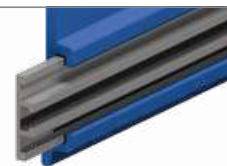
Guida laterale con salva etichetta / Side guide with lable saver / Seitenführung mit Etikettenschutz

Fit on 50 x 5 mm



Article-Nr.	Material	Availability	Supply
109600BLC	Blue	On request	3 m bars
109600BC	BluLub	Stock item	3 m bars
109605C	Grey	On request	3 m bars

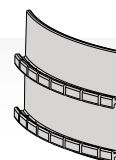
Part 159
Page 159



Option of application - Guide

Easy Bendable

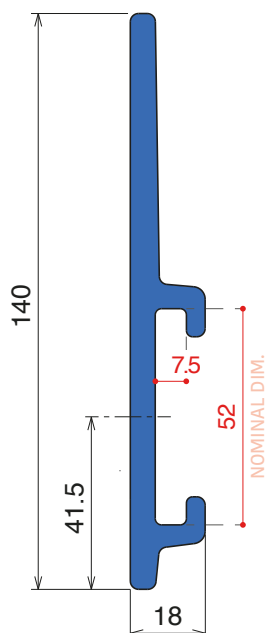
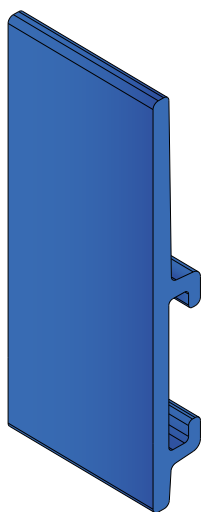
For the grooved version, just add "-S" to the related Article Nr.



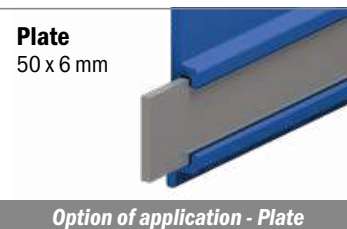
189

Guida laterale / Side guide / Seitenführung

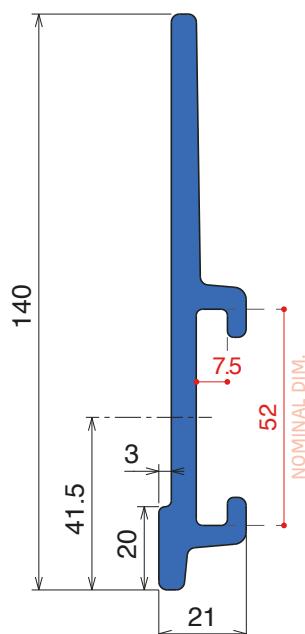
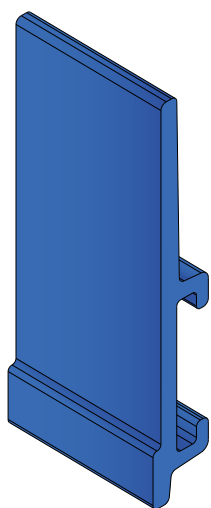
Fit on 50 x 6 mm



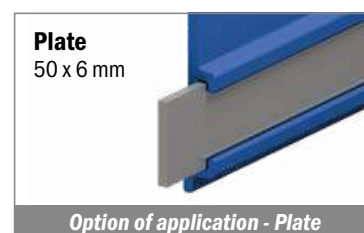
Article-Nr.	Material	Availability	Supply
18902BLC	Blue	On request	3 m bars
18902BC	BluLub	Stock item	3 m bars
18906C	Grey	On request	3 m bars



Guida laterale con salva etichetta Side guide with lable saver / Seitenführung mit Etikettenschutz

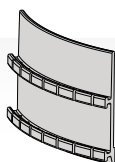


Article-Nr.	Material	Availability	Supply
18900BLC	Blue	On request	3 m bars
18900BC	BluLub	Stock item	3 m bars
18904C	Grey	Stock item	3 m bars



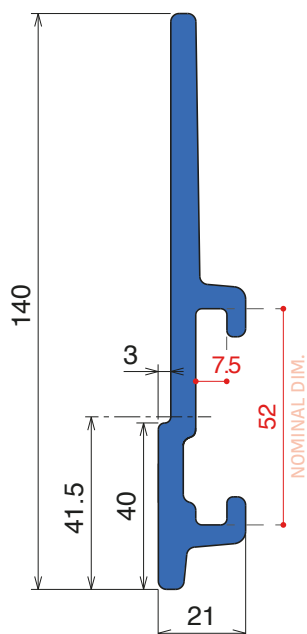
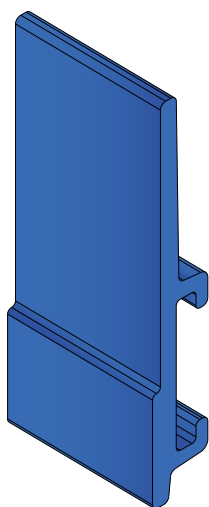
Easy Bendable

For the grooved version, just add "-S" to the related Article Nr.



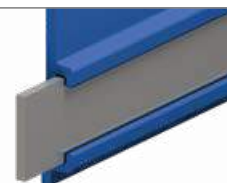
Guida laterale con salva etichetta

Side guide with label saver / Seitenführung mit Etikettenschutz



Article-Nr.	Material	Availability	Supply
18901BLC	Blue	On request	3 m bars
18901BC	BluLub	Stock item	3 m bars
18905C	Grey	On request	3 m bars

Plate
50 x 6 mm



Option of application - Plate

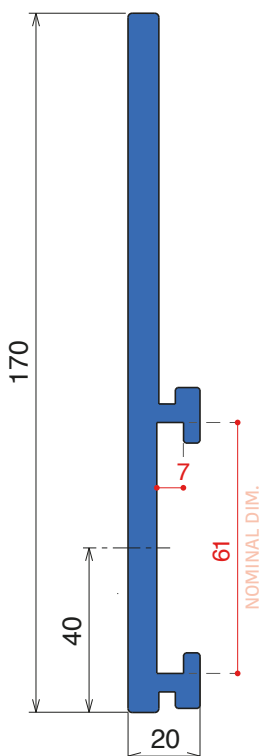
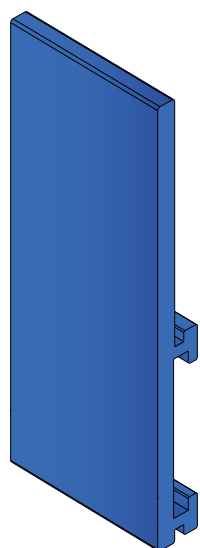
Part 159
Pag 159



Option of application - Guide

187 Guida laterale / Side guide / Seitenführung

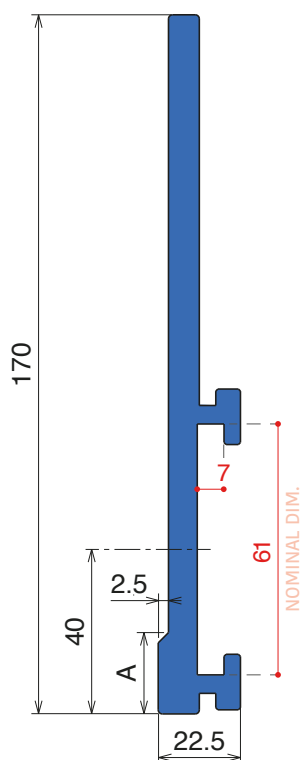
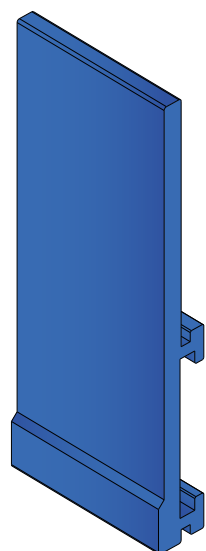
Fit on 60 x 6 mm



Article-Nr.	Material	Availability	Supply
18705C	Blue	On request	3 m bars
18710BC	BluLub	Stock item	3 m bars
18714C	Grey	On request	3 m bars



Guida laterale con salva etichetta Side guide with lable saver / Seitenführung mit Etikettenschutz

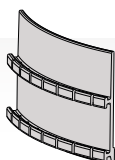


Article-Nr.	A	Material	Availability	Supply
18725C	12	Blue	On request	3 m bars
18735C	20	Blue	On request	3 m bars
18745C	40	Blue	On request	3 m bars
18720BC	12	BluLub	Stock item	3 m bars
18730BC	20	BluLub	Stock item	3 m bars
18740BC	40	BluLub	Stock item	3 m bars
18724C	12	Grey	On request	3 m bars
18734C	20	Grey	On request	3 m bars
18744C	40	Grey	On request	3 m bars



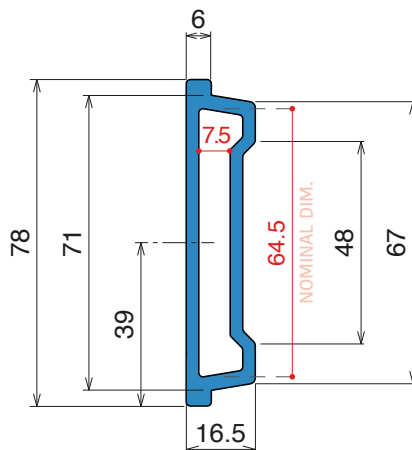
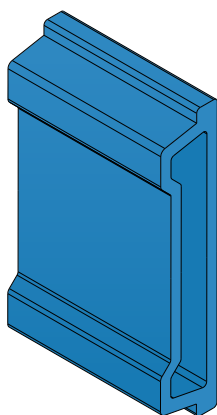
Easy Bendable

For the grooved version, just add "-S" to the related Article Nr.



135 Guida laterale / Side guide / Seitenführung

Fit on 60 x 6 mm



Article-Nr.	Material	Availability	Supply
13502C	Blue RAL 5012	Stock item	3 m bars
13502	Blue RAL 5012	Stock item	6 m bars
13501C	Black	Stock item	3 m bars
13501	Black	Stock item	6 m bars

Plate
60 x 6 mm

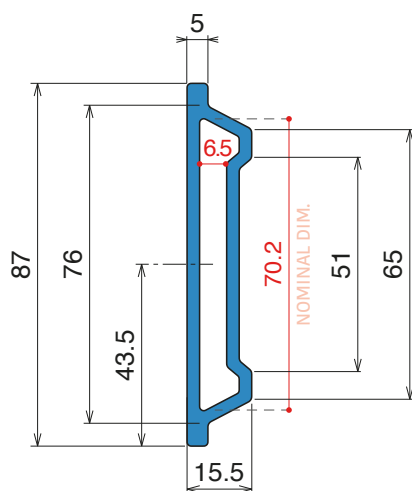
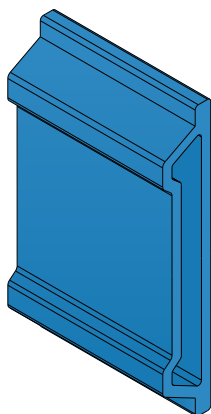


Part 3310
pag 208

Option of application - Plate

136 Guida laterale / Side guide / Seitenführung

Fit on 60 x 6 mm

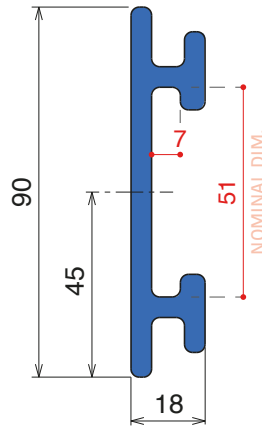
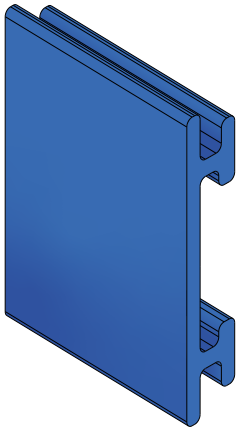


Article-Nr.	Material	Availability	Supply
13602C	Blue RAL 5012	Stock item	3 m bars
13602	Blue RAL 5012	Stock item	6 m bars
13601C	Black	Stock item	3 m bars
13601	Black	On request	6 m bars

1057/1077

Guida laterale / Side guide / Seitenführung

Fit on 50 x 6 mm



Article-Nr.	Material	Availability	Supply
105725C	Blue	On request	3 m bars
105720BLC	BluLub	Stock item	3 m bars
105721C	Black	On request	3 m bars
105724C	Grey	On request	3 m bars
105721AC	AS	On request	3 m bars

Plate
50 x 6 mm

Valid also for
RS versions



Option of application - Plate

Part 159
Pag 159

Valid also for
RS versions

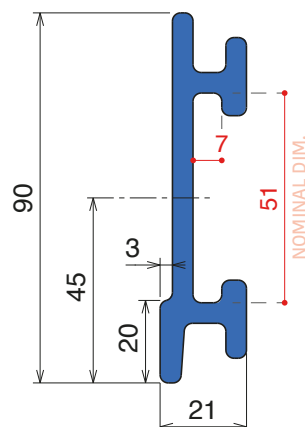
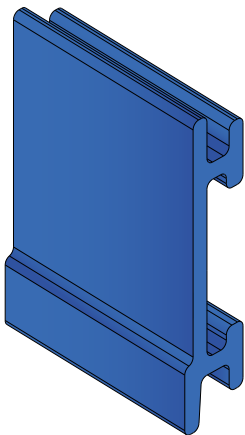


Part 3311
pag 208

Option of application - Guide

Guida laterale con salva etichetta

Side guide with lable saver / Seitenführung mit Etikettenschutz



Article-Nr.	Material	Availability	Supply
107725C	Blue	On request	3 m bars
107720BLC	BluLub	Stock item	3 m bars
107721C	Black	On request	3 m bars
107724C	Grey	On request	3 m bars
107721AC	AS	On request	3 m bars

Plate
50 x 6 mm

Valid also for
RS versions



Option of application - Plate

Part 159
Pag 159

Valid also for
RS versions

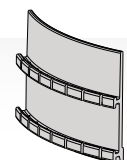


Part 3311
pag 208

Option of application - Guide

Easy Bendable

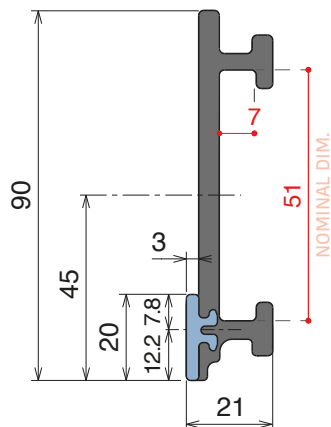
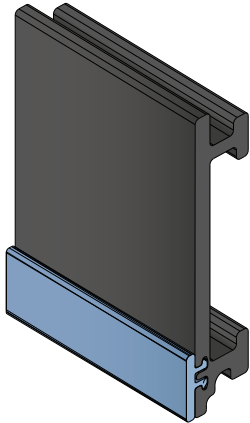
For the grooved version,
just add "-S" to the
related Article Nr.



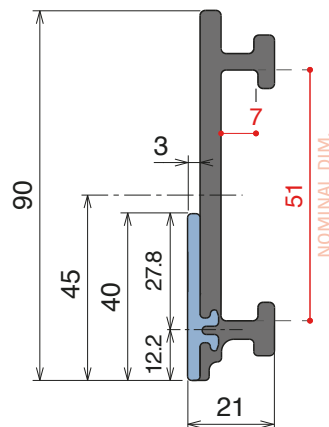
1077/1078 RS Guida laterale con salva etichetta / Side guide with lable saver / Seitenführung mit Etikettenschutz

Fit on 50 x 6 mm

Article-Nr.	Version	Material	Availability	Supply
107722	A	Black+ BluLub	On request	3 m bars
107723	B	Black+ BluLub	On request	3 m bars



VERSION A - Label saver 2 cm



VERSION B - Label saver 4 cm

Base profile

Art-Nr.	Supply
107790	3 m bars

Label saver 2 cm

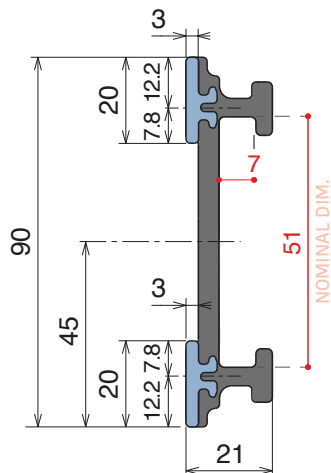
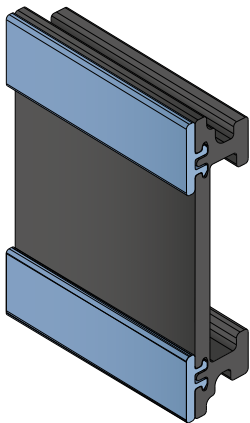
Art-Nr.	Supply
18987	30 m coils

Label saver 4 cm

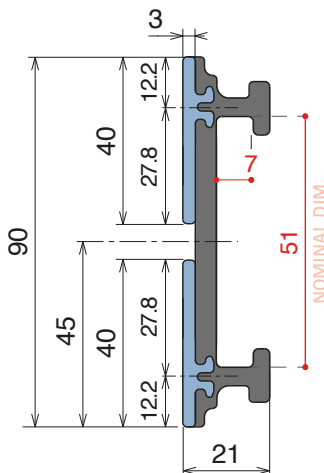
Art-Nr.	Supply
18988	30 m coils

Single components

Guida laterale con salva etichetta / Side guide with lable saver / Seitenführung mit Etikettenschutz



VERSION A - Label saver 2 cm



VERSION B - Label saver 4 cm

Base profile

Art-Nr.	Supply
107890	3 m bars

Label saver 2 cm

Art-Nr.	Supply
18987	30 m coils

Label saver 4 cm

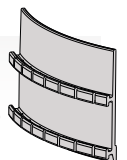
Art-Nr.	Supply
18988	30 m coils

Label saver 2 cm and 4 cm can also be combined together to obtain different version.

Single components

Easy Bendable

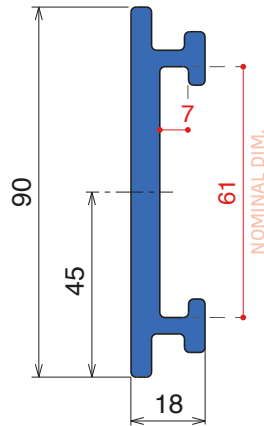
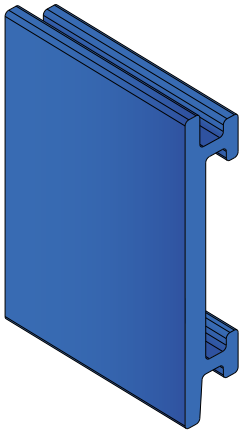
For the grooved version, just add "S" to the related Article Nr.



1057/1077

Guida laterale / Side guide / Seitenführung

Fit on 60 x 6 mm



Article-Nr.	Material	Availability	Supply
105705C	Blue	On request	3 m bars
105700BC	BluLub	Stock item	3 m bars
105711C	Black	Stock item	3 m bars
105704C	Grey	Stock item	3 m bars

Part 1089
Pag 159



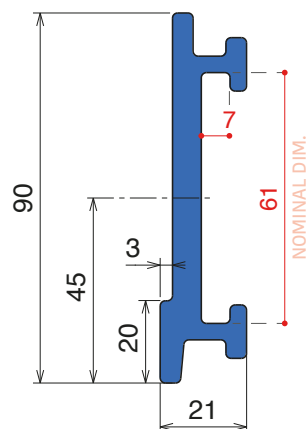
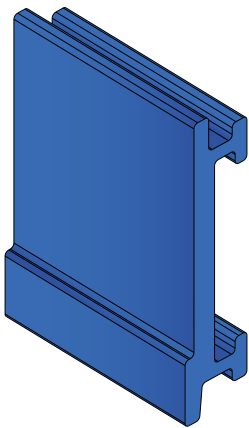
Valid also for
RS versions

Part 3311
pag 208

Option of application - Guide

Guida laterale con salva etichetta

Side guide with lable saver / Seitenführung mit Etikettenschutz



Article-Nr.	Material	Availability	Supply
107705C	Blue	On request	3 m bars
107700BC	BluLub	On request	3 m bars
107711C	Black	On request	3 m bars
107704C	Grey	On request	3 m bars

Part 1089
Pag 159



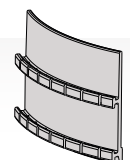
Valid also for
RS versions

Part 3311
pag 208

Option of application - Guide

Easy Bendable

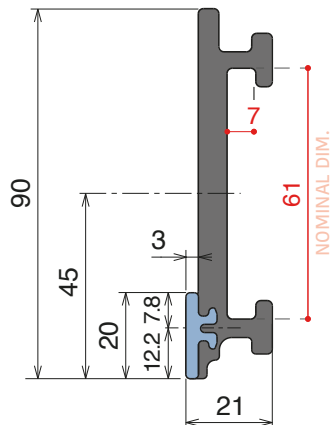
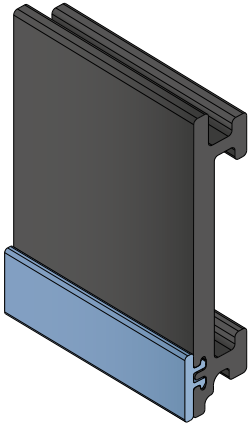
For the grooved version, just add "-S" to the related Article Nr.



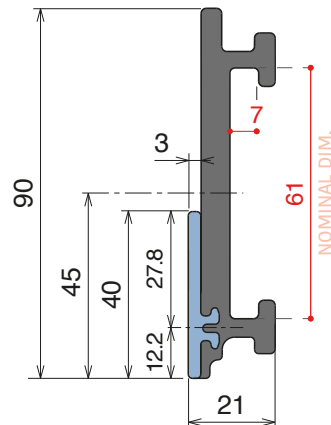
1077/1078 RS Guida laterale con salva etichetta / Side guide with lable saver / Seitenführung mit Etikettenschutz

Fit on 60 x 6 mm

Article-Nr.	Version	Material	Availability	Supply
107700	A	Black+ BluLub	On request	3 m bars
107701	B	Black+ BluLub	On request	3 m bars



VERSION A - Label saver 2 cm



VERSION B - Label saver 4 cm

Base profile

Art-Nr.	Supply
107791	3 m bars

Label saver 2 cm

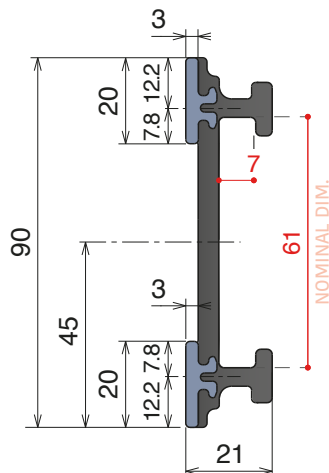
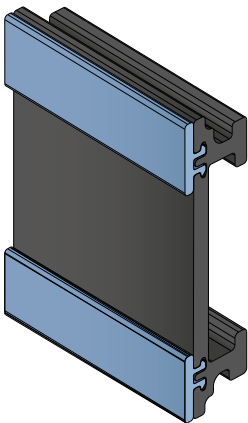
Art-Nr.	Supply
18987	30 m coils

Label saver 4 cm

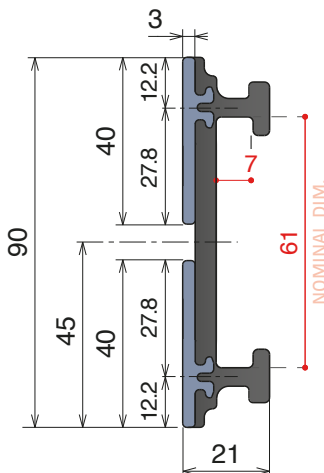
Art-Nr.	Supply
18988	30 m coils

Single components

Guida laterale con salva etichetta / Side guide with lable saver / Seitenführung mit Etikettenschutz



VERSION A - Label saver 2 cm



VERSION B - Label saver 4 cm

Article-Nr.	Version	Material	Availability	Supply
107800	A	Black+ BluLub	On request	3 m bars
107801	B	Black+ BluLub	On request	3 m bars

Base profile

Art-Nr.	Supply
107891	3 m bars

Label saver 2 cm

Art-Nr.	Supply
18987	30 m coils

Label saver 4 cm

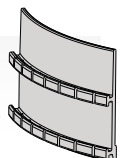
Art-Nr.	Supply
18988	30 m coils

Label saver 2 cm and 4 cm can also be combined together to obtain different version.

Single components

Easy Bendable

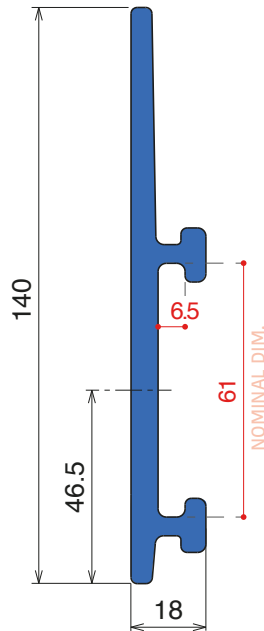
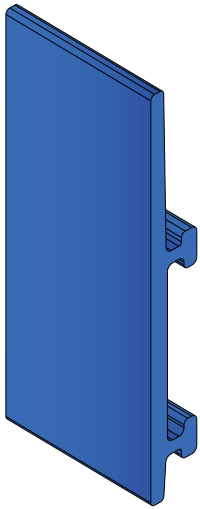
For the grooved version, just add "S" to the related Article Nr.



193/189

Guida laterale / Side guide / Seitenführung

Fit on 60 x 5 mm



Article-Nr.	Material	Availability	Supply
19335C	Blue	On request	3 m bars
19330BC	BluLub	Stock item	3 m bars
19334C	Grey	On request	3 m bars

Part 1088
Pag 159

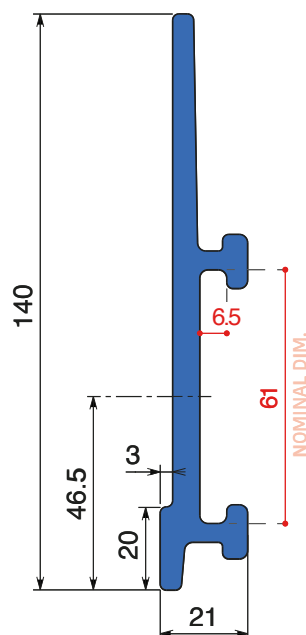
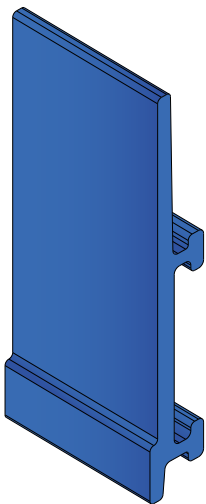


Part 3311
pag 208

Option of application - Guide

Guida laterale con salva etichetta

Side guide with lable saver / Seitenführung mit Etikettenschutz



Article-Nr.	Material	Availability	Supply
18985C	Blue	On request	3 m bars
18980BC	BluLub	Stock item	3 m bars
18984C	Grey	On request	3 m bars

Part 1088
Pag 159

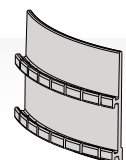


Part 3311
pag 208

Option of application - Guide

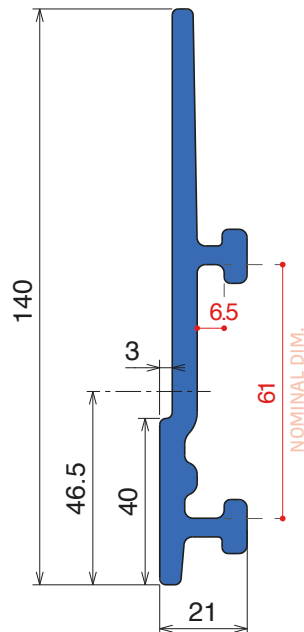
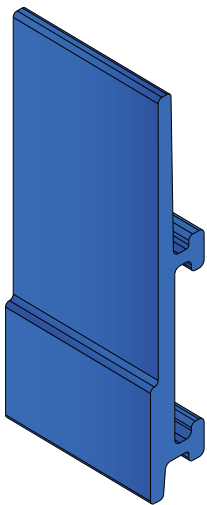
Easy Bendable

For the grooved version, just add "-S" to the related Article Nr.



Guida laterale con salva etichetta

Side guide with label saver / Seitenführung mit Etikettenschutz



Article-Nr.	Material	Availability	Supply
18945C	Blue	On request	3 m bars
18940BC	BluLub	Stock item	3 m bars
18944C	Grey	Stock item	3 m bars

Part 1088
Pag 159



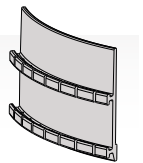
Valid also for
RS versions

Part 3311
pag 208

Option of application - Guide

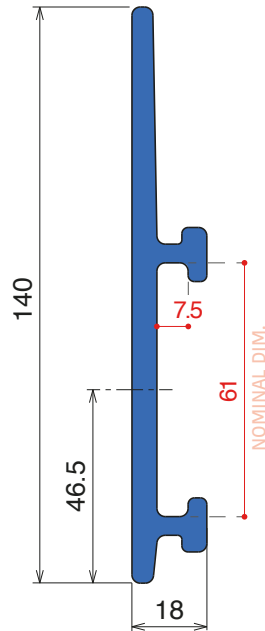
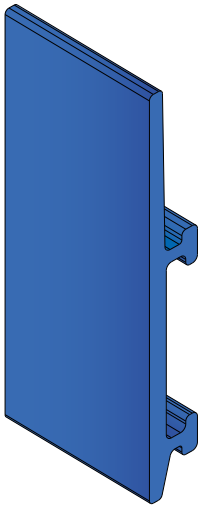
Easy Bendable

For the grooved version, just add "-S" to the related Article Nr.



193 Guida laterale / Side guide / Seitenführung

Fit on 60 x 6 mm



Article-Nr.	Material	Availability	Supply
19325C	Blue	On request	3 m bars
19320BC	BluLub	Stock item	3 m bars
19324C	Grey	Stock item	3 m bars

Part 1089
Pag 159

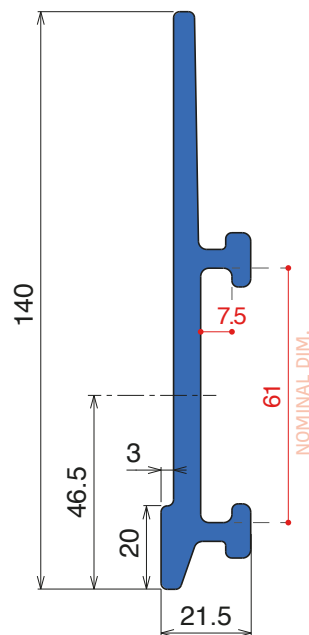
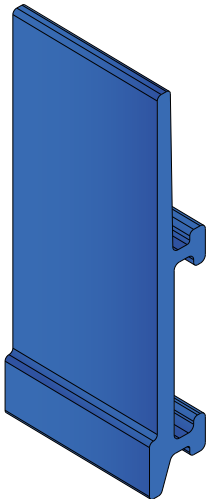


Part 3311
pag 208

Option of application - Guide

189 Guida laterale con salva etichetta / Side guide with lable saver / Seitenführung mit Etikettenschutz

Fit on 60 x 6 mm



Article-Nr.	Material	Availability	Supply
18925C	Blue	On request	3 m bars
18920BC	BluLub	Stock item	3 m bars
18924C	Grey	Stock item	3 m bars

Part 1089
Pag 159



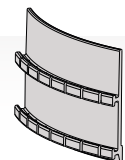
Valid also for
RS versions

Part 3311
pag 208

Option of application - Guide

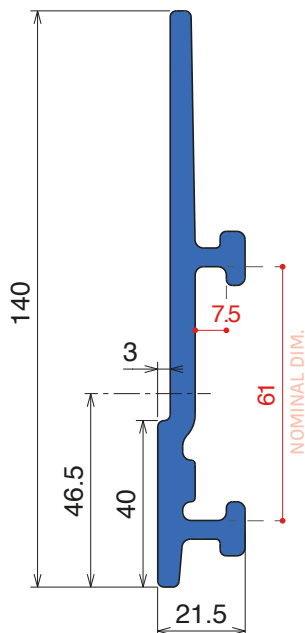
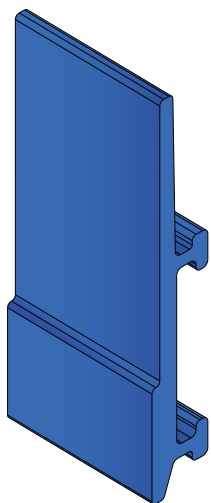
Easy Bendable

For the grooved version,
just add "-S" to the
related Article Nr.



Guida laterale con salva etichetta

Side guide with lable saver / Seitenführung mit Etikettenschutz



Article-Nr.	Material	Availability	Supply
18935C	Blue	On request	3 m bars
18930BC	BluLub	Stock item	3 m bars
18934C	Grey	Stock item	3 m bars

Part 1089
Pag 159



Valid also for
RS versions

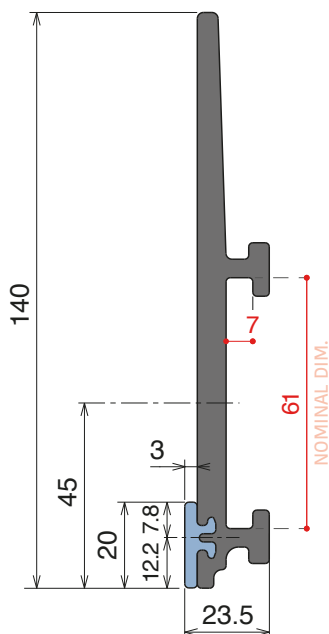
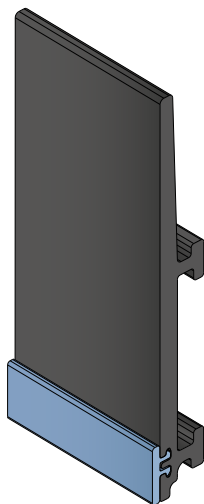
Part 3311
pag 208

Option of application - Guide

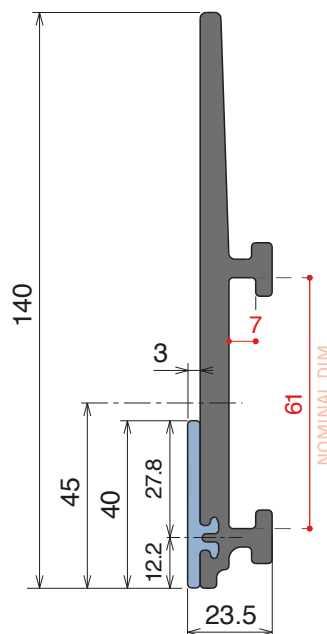
1075 RS Guida laterale con salva etichetta / Side guide with lable saver / Seitenführung mit Etikettenschutz

Fit on 60 x 6 mm

Article-Nr.	Version	Material	Availability	Supply
107500	A	Black+ BluLub	On request	3 m bars
107501	B	Black+ BluLub	On request	3 m bars



VERSION A - Label saver 2 cm



VERSION B - Label saver 4 cm

Base profile

Art-Nr.	Supply
18990	3 m bars

Label saver 2 cm

Art-Nr.	Supply
18987	30 m coils

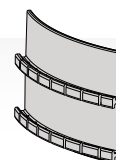
Label saver 4 cm

Art-Nr.	Supply
18988	30 m coils

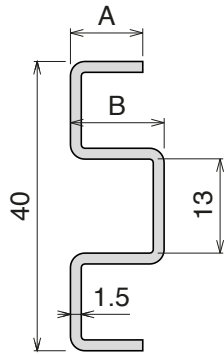
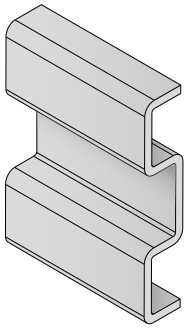
Single components

Easy Bendable

For the grooved version, just add "-S" to the related Article Nr.



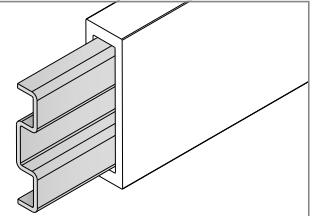
117 Profilo Omega / M-Profile / M-Profil



Used with part:
 137 - 183 - 189 - 1079

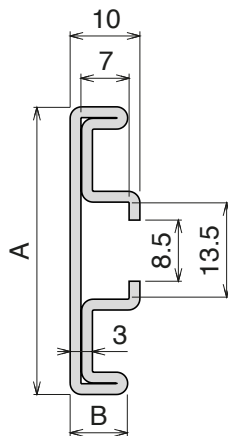
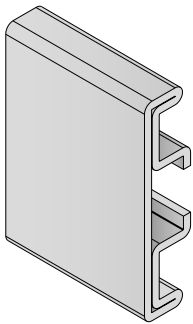
Article-Nr.	A	B	Availability	Supply
11703C	6	10	Stock item	3 m bars
11703	6	10	On request	6 m bars
11701C	8	8	Stock item	3 m bars
11701	8	8	Stock item	6 m bars
11702C	10	10	Stock item	3 m bars
11702	10	10	On request	6 m bars

Used with
BOLT M8



Example of application

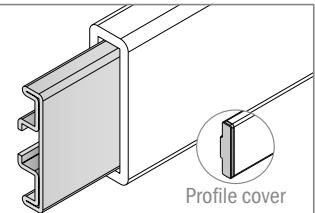
1055 Profilo in Acciaio inox / Stainless steel Profile / Edelstahlprofil



Used with part:
 137 - 183 - 189
 1079 - 1042

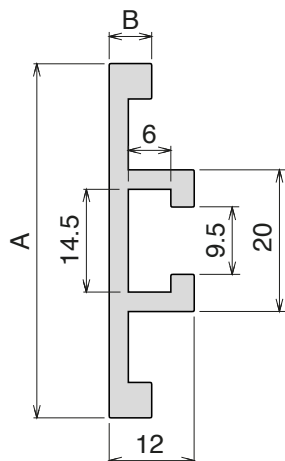
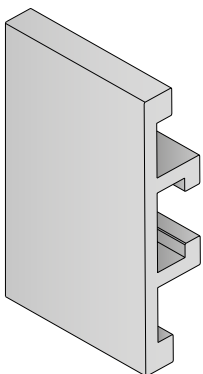
Article-Nr.	A	B	Availability	Supply	Profile cover	Box
105501C	40	8	Stock item	3 m bars	301409	60 pcs
105501	40	8	On request	6 m bars	301409	60 pcs
105503C	50	6	Stock item	3 m bars	301410	60 pcs
105503	50	6	On request	6 m bars	301410	60 pcs

Used with
BOLT M8



Example of application

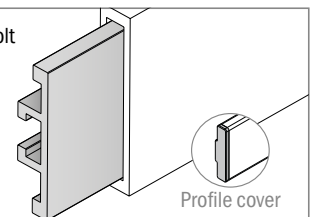
159-1088-1089 Profilo in Alluminio / Aluminum Profile / Aluminium Profil



Used with Part:
 158 - 187 - 189 - 193
 1075 - 1077 - 1078 - 1042

Article-Nr.	A	B	Availability	Supply	Profile cover	Box
15901C	50	6	Stock item	3 m bars	301411	60 pcs
15901	50	6	On request	6 m bars	301411	60 pcs
108801C	60	5	Stock item	3 m bars	301412	60 pcs
108801	60	5	On request	6 m bars	301412	60 pcs
108901C	60	6	Stock item	3 m bars	301413	60 pcs
108901	60	6	On request	6 m bars	301413	60 pcs

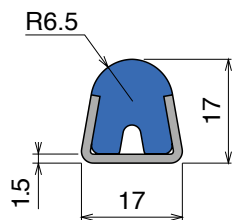
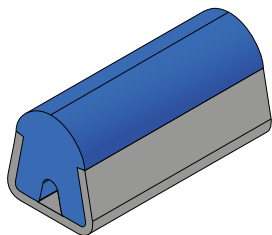
Used with T-bolt
Part 362
 pag 206



Example of application

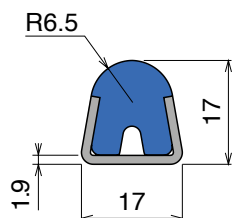
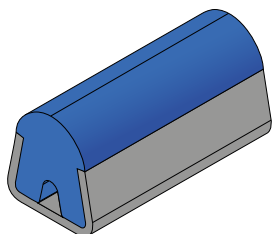
119 Guida conica / Guide rail / Konische Führung

Stainless steel profile thickness: 1,5 mm



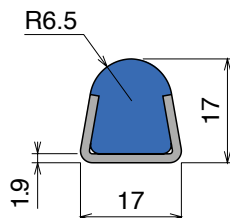
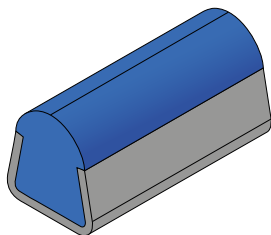
Article-Nr.	Material	Availability	Supply
11905C	Blue	On request	3 m bars
11905	Blue	On request	6 m bars
11901BC	BluLub	Stock item	3 m bars
11901B	BluLub	On request	6 m bars
11901C	Ti-White	Stock item	3 m bars
11901	Ti-White	On request	6 m bars
11901AC	AS	Stock item	3 m bars
11901A	AS	On request	6 m bars

Stainless steel profile thickness: 1,9 mm



Article-Nr.	Material	Availability	Supply
11964C	Blue	On request	3 m bars
11964	Blue	On request	6 m bars
11963B	BluLub	On request	3 m bars
11967B	BluLub	On request	6 m bars
11963	Ti-White	Stock item	3 m bars
11967	Ti-White	On request	6 m bars
11963A	AS	Stock item	3 m bars
11967A	AS	On request	6 m bars


 Hygienic
 Version

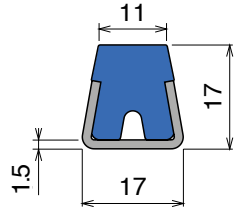
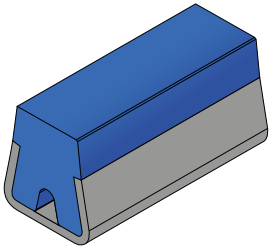


Article-Nr.	Material	Availability	Supply
11983C	Blue	On request	3 m bars
11987	Blue	On request	6 m bars
11953B	BluLub	On request	3 m bars
11957B	BluLub	On request	6 m bars
11953	Ti-White	On request	3 m bars
11957	Ti-White	Stock item	6 m bars

Materiale / Material / Materialien:
 Profilo metallico: Acciaio inox AISI 304
 Metal profile: Stainless steel AISI 304
 Metallprofil: Edelstahl AISI 304

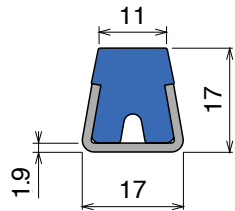
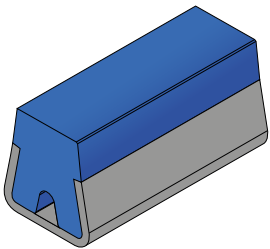
121 Guida conica / Guide rail / Konische Führung

Stainless steel profile thickness: 1,5 mm



Article-Nr.	Material	Availability	Supply
12105C	Blue	On request	3 m bars
12105	Blue	On request	6 m bars
12101BC	<i>BluLub</i>	On request	3 m bars
12101B	<i>BluLub</i>	On request	6 m bars
12101C	<i>Ti-White</i>	Stock item	3 m bars
12101	<i>Ti-White</i>	On request	6 m bars
12101AC	AS	Stock item	3 m bars
12101A	AS	On request	6 m bars

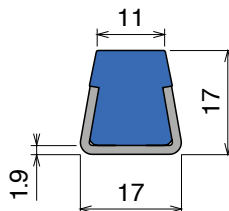
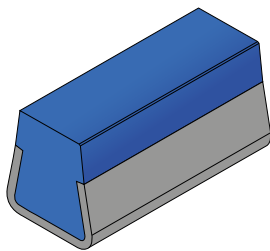
Stainless steel profile thickness: 1,9 mm



Article-Nr.	Material	Availability	Supply
12173	Blue	On request	3 m bars
12177	Blue	On request	6 m bars
12163B	<i>BluLub</i>	On request	3 m bars
12167B	<i>BluLub</i>	On request	6 m bars
12163	<i>Ti-White</i>	Stock item	3 m bars
12167	<i>Ti-White</i>	On request	6 m bars
12163A	AS	Stock item	3 m bars
12167A	AS	On request	6 m bars



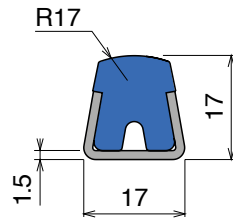
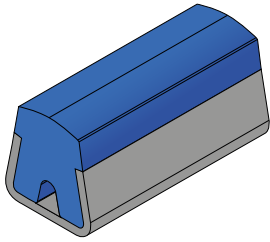
Hygienic Version



Article-Nr.	Material	Availability	Supply
12183	Blue	On request	3 m bars
12187	Blue	On request	6 m bars
12153B	<i>BluLub</i>	On request	3 m bars
12157B	<i>BluLub</i>	On request	6 m bars
12153	<i>Ti-White</i>	Stock item	3 m bars
12157	<i>Ti-White</i>	On request	6 m bars

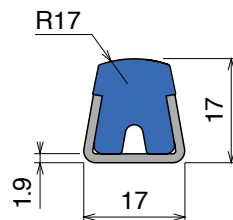
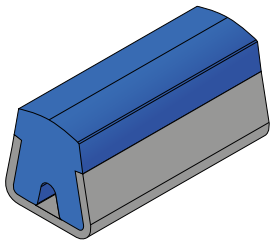
120 Guida conica / Guide rail / Konische Führung

Stainless steel profile thickness: 1,5 mm



Article-Nr.	Material	Availability	Supply
12005C	Blue	On request	3 m bars
12005	Blue	On request	6 m bars
12001BC	BluLub	On request	3 m bars
12001B	BluLub	On request	6 m bars
12001C	Ti-White	Stock item	3 m bars
12001	Ti-White	On request	6 m bars
12001AC	AS	Stock item	3 m bars
12001A	AS	On request	6 m bars

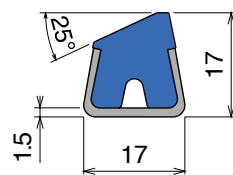
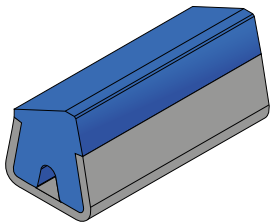
Stainless steel profile thickness: 1,9 mm



Article-Nr.	Material	Availability	Supply
12063BL	Blue	On request	3 m bars
12067BL	Blue	On request	6 m bars
12063B	BluLub	On request	3 m bars
12067B	BluLub	On request	6 m bars
12063	Ti-White	Stock item	3 m bars
12067	Ti-White	On request	6 m bars
12063A	AS	Stock item	3 m bars
12067A	AS	On request	6 m bars

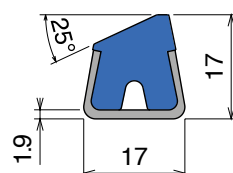
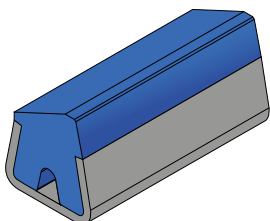
152 Guida conica / Guide rail / Konische Führung

Stainless steel profile thickness: 1,5 mm



Article-Nr.	Material	Availability	Supply
15205C	Blue	On request	3 m bars
15200BC	BluLub	On request	3 m bars
15201C	Ti-White	Stock item	3 m bars

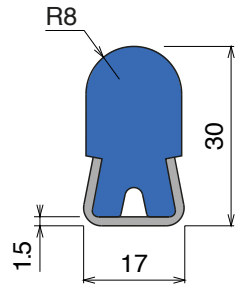
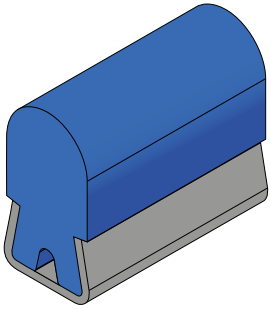
Stainless steel profile thickness: 1,9 mm



Article-Nr.	Material	Availability	Supply
15265C	Blue	On request	3 m bars
15260BC	BluLub	On request	3 m bars
15263	Ti-White	On request	3 m bars

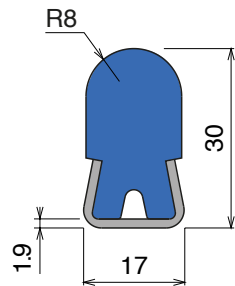
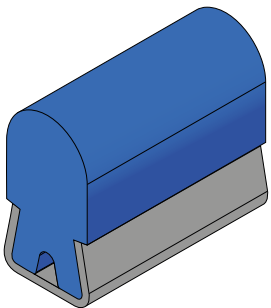
1067 Guida conica / Guide rail / Konische Führung

Stainless steel profile thickness: 1,5 mm



Article-Nr.	Material	Availability	Supply
106705C	Blue	On request	3 m bars
106700BC	<i>BluLub</i>	On request	3 m bars
106701C	<i>Ti-White</i>	On request	3 m bars

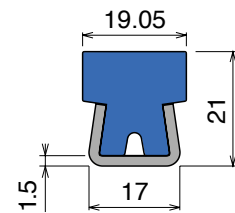
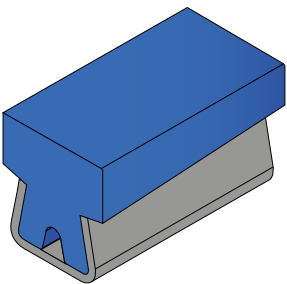
Stainless steel profile thickness: 1,9 mm



Article-Nr.	Material	Availability	Supply
106765C	Blue	On request	3 m bars
106760BC	<i>BluLub</i>	On request	3 m bars
106763	<i>Ti-White</i>	On request	3 m bars

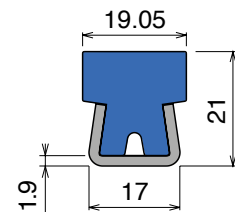
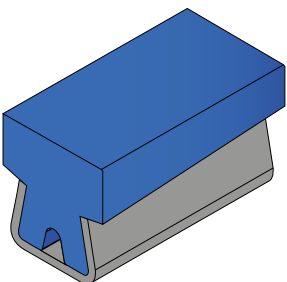
143 Guida conica / Guide rail / Konische Führung

Stainless steel profile thickness: 1,5 mm



Article-Nr.	Material	Availability	Supply
14305C	Blue	On request	3 m bars
14300BC	<i>BluLub</i>	On request	3 m bars
14301C	<i>Ti-White</i>	On request	3 m bars

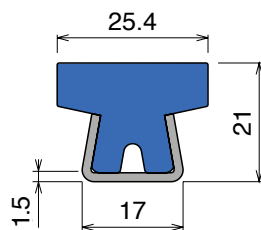
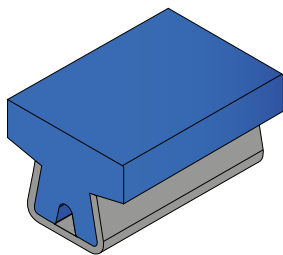
Stainless steel profile thickness: 1,9 mm



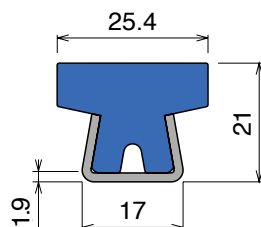
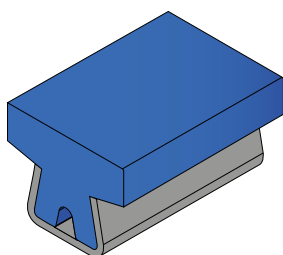
Article-Nr.	Material	Availability	Supply
14365C	Blue	On request	3 m bars
14360BC	<i>BluLub</i>	On request	3 m bars
14363	<i>Ti-White</i>	Stock item	3 m bars

122 Guida conica / Guide rail / Konische Führung

Stainless steel profile thickness: 1,5 mm



Stainless steel profile thickness: 1,9 mm

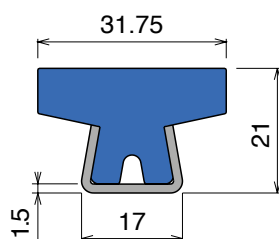
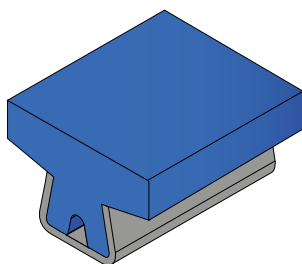


Article-Nr.	Material	Availability	Supply
12205C	Blue	On request	3 m bars
12200BC	BluLub	On request	3 m bars
12201C	Ti-White	Stock item	3 m bars
12201AC	AS	Stock item	3 m bars

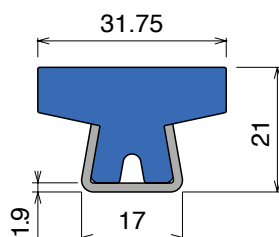
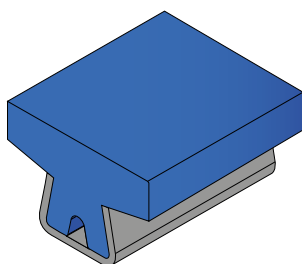
Article-Nr.	Material	Availability	Supply
12263BLC	Blue	On request	3 m bars
12260BC	BluLub	On request	3 m bars
12263	Ti-White	Stock item	3 m bars
12263A	AS	Stock item	3 m bars

123 Guida conica / Guide rail / Konische Führung

Stainless steel profile thickness: 1,5 mm



Stainless steel profile thickness: 1,9 mm

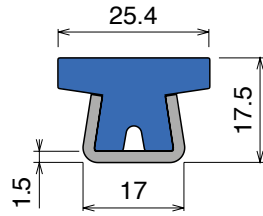
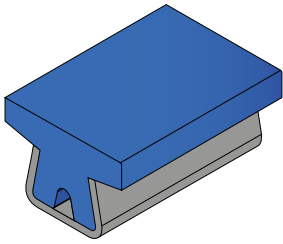


Article-Nr.	Material	Availability	Supply
12305C	Blue	On request	3 m bars
12300BC	BluLub	On request	3 m bars
12301C	Ti-White	Stock item	3 m bars
12301AC	AS	Stock item	3 m bars

Article-Nr.	Material	Availability	Supply
12363BLC	Blue	On request	3 m bars
12360BC	BluLub	On request	3 m bars
12363	Ti-White	Stock item	3 m bars
12363A	AS	Stock item	3 m bars

140 Guida conica / Guide rail / Konische Führung

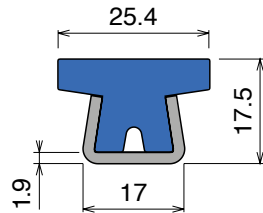
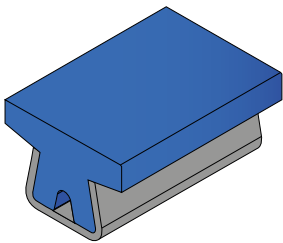
Stainless steel profile thickness: 1,5 mm



Article-Nr.	Material	Availability	Supply
14005C	Blue	On request	3 m bars
14000BC	BluLub	On request	3 m bars
14001C	Ti-White	Stock item	3 m bars

Article-Nr.	Material	Availability	Supply
14005C	Blue	On request	3 m bars
14000BC	BluLub	On request	3 m bars
14001C	Ti-White	Stock item	3 m bars

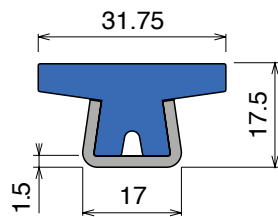
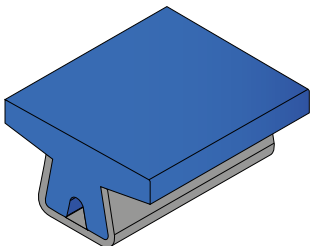
Stainless steel profile thickness: 1,9 mm



Article-Nr.	Material	Availability	Supply
14063BLC	Blue	On request	3 m bars
14060BC	BluLub	On request	3 m bars
14063	Ti-White	Stock item	3 m bars

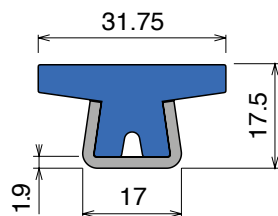
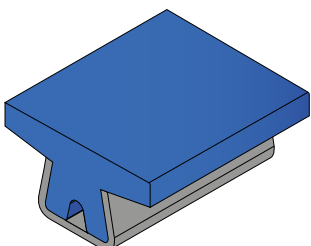
146 Guida conica / Guide rail / Konische Führung

Stainless steel profile thickness: 1,5 mm



Article-Nr.	Material	Availability	Supply
14605C	Blue	On request	3 m bars
14600BC	BluLub	On request	3 m bars
14601C	Ti-White	On request	3 m bars

Stainless steel profile thickness: 1,9 mm

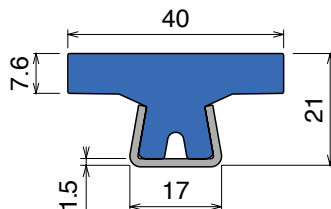
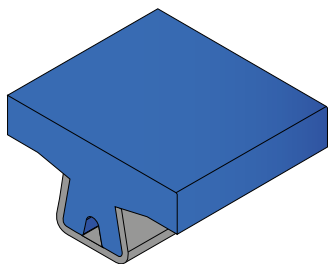


Article-Nr.	Material	Availability	Supply
14663BLC	Blue	On request	3 m bars
14660BC	BluLub	On request	3 m bars
14663	Ti-White	On request	3 m bars

124

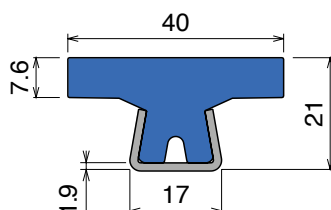
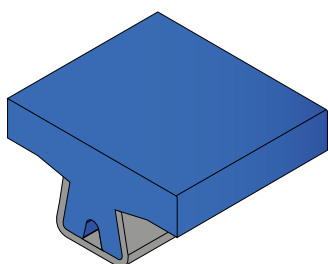
Guida conica / Guide rail / Konische Führung

Stainless steel profile thickness: 1,5 mm



Article-Nr.	Material	Availability	Supply
12405C	Blue	On request	3 m bars
12400BC	<i>BluLub</i>	On request	3 m bars
12401C	<i>Ti-White</i>	Stock item	3 m bars
12401AC	AS	Stock item	3 m bars

Stainless steel profile thickness: 1,9 mm

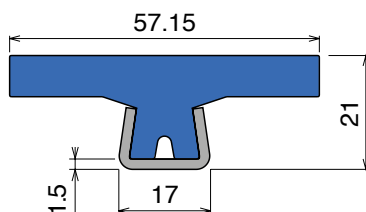
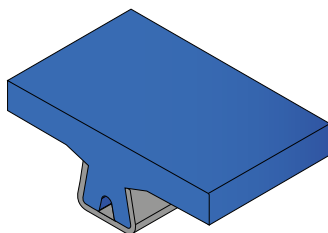


Article-Nr.	Material	Availability	Supply
12463BLC	Blue	On request	3 m bars
12460BC	<i>BluLub</i>	On request	3 m bars
12463	<i>Ti-White</i>	Stock item	3 m bars
12463A	AS	Stock item	3 m bars

141

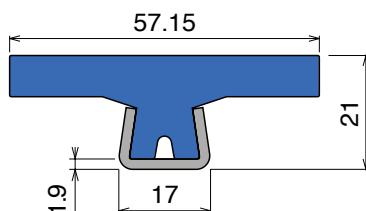
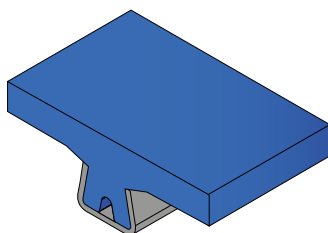
Guida conica / Guide rail / Konische Führung

Stainless steel profile thickness: 1,5 mm



Article-Nr.	Material	Availability	Supply
14105C	Blue	On request	3 m bars
14101BC	<i>BluLub</i>	On request	3 m bars
14101C	<i>Ti-White</i>	Stock item	3 m bars
14101AC	AS	Stock item	3 m bars

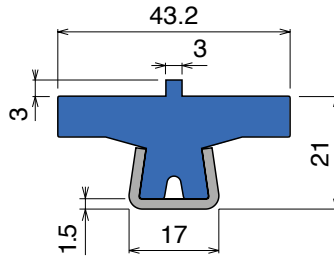
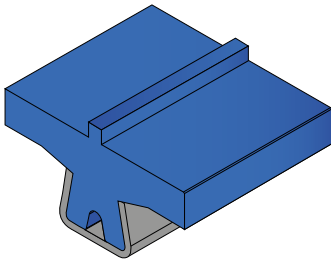
Stainless steel profile thickness: 1,9 mm



Article-Nr.	Material	Availability	Supply
14163BLC	Blue	On request	3 m bars
14160BC	<i>BluLub</i>	On request	3 m bars
14163	<i>Ti-White</i>	Stock item	3 m bars
14163A	AS	Stock item	3 m bars

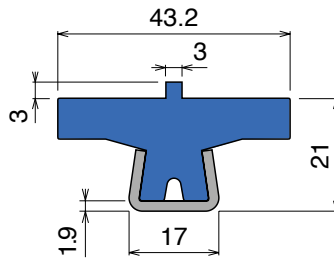
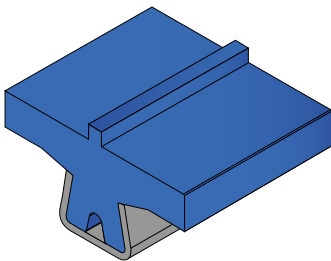
142 Guida conica / Guide rail / Konische Führung

Stainless steel profile thickness: 1,5 mm



Article-Nr.	Material	Availability	Supply
14205C	Blue	On request	3 m bars
14200BC	<i>BluLub</i>	On request	3 m bars
14201C	<i>Ti-White</i>	On request	3 m bars

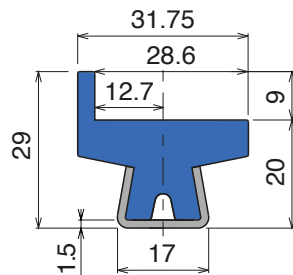
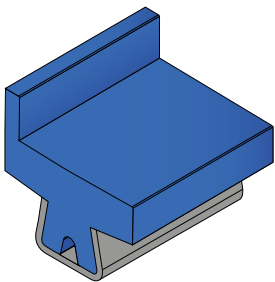
Stainless steel profile thickness: 1,9 mm



Article-Nr.	Material	Availability	Supply
14263BLC	Blue	On request	3 m bars
14260BC	<i>BluLub</i>	On request	3 m bars
14263	<i>Ti-White</i>	On request	3 m bars

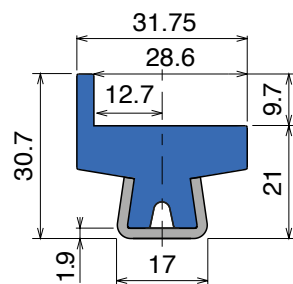
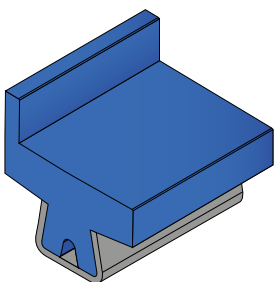
125 Guida conica / Guide rail / Konische Führung

Stainless steel profile thickness: 1,5 mm



Article-Nr.	Material	Availability	Supply
12505C	Blue	On request	3 m bars
12500BC	<i>BluLub</i>	On request	3 m bars
12501C	<i>Ti-White</i>	On request	3 m bars

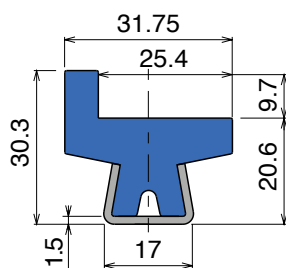
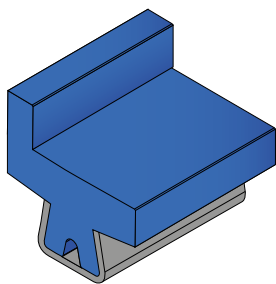
Stainless steel profile thickness: 1,9 mm



Article-Nr.	Material	Availability	Supply
12563BLC	Blue	On request	3 m bars
12560BC	<i>BluLub</i>	On request	3 m bars
12563	<i>Ti-White</i>	Stock item	3 m bars

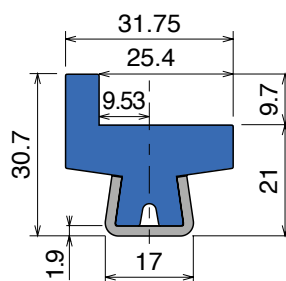
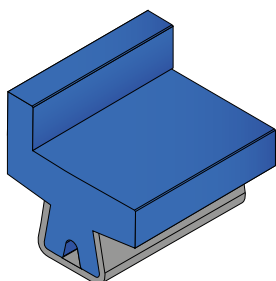
144 Guida conica / Guide rail / Konische Führung

Stainless steel profile thickness: 1,5 mm



Article-Nr.	Material	Availability	Supply
14405C	Blue	On request	3 m bars
14400BC	<i>BluLub</i>	On request	3 m bars
14401C	<i>Ti-White</i>	Stock item	3 m bars

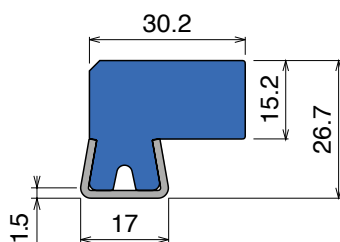
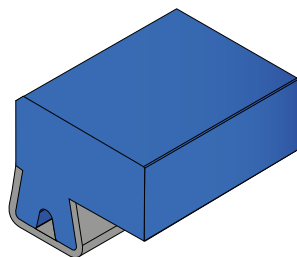
Stainless steel profile thickness: 1,9 mm



Article-Nr.	Material	Availability	Supply
14463BLC	Blue	On request	3 m bars
14460BC	<i>BluLub</i>	On request	3 m bars
14463	<i>Ti-White</i>	Stock item	3 m bars

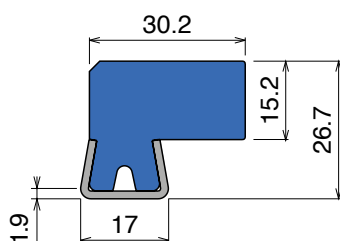
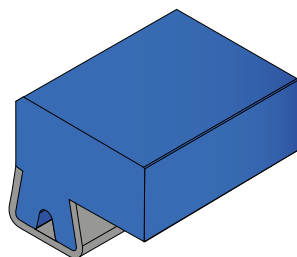
184 Guida conica / Guide rail / Konische Führung

Stainless steel profile thickness: 1,5 mm



Article-Nr.	Material	Availability	Supply
18405C	Blue	On request	3 m bars
18400BC	<i>BluLub</i>	On request	3 m bars
18401C	<i>Ti-White</i>	On request	3 m bars

Stainless steel profile thickness: 1,9 mm



Article-Nr.	Material	Availability	Supply
18463BLC	Blue	On request	3 m bars
18460BC	<i>BluLub</i>	On request	3 m bars
18463	<i>Ti-White</i>	On request	3 m bars

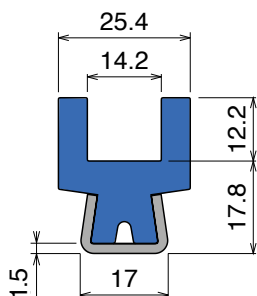
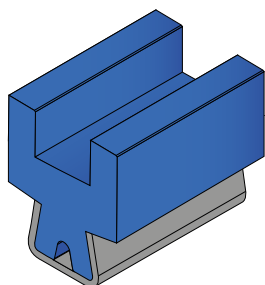
Materiale / Material / Materialien:
 Profilo metallico: Acciaio inox AISI 304
 Metal profile: Stainless steel AISI 304
 Metallprofil: Edelstahl AISI 304

145-1087

Guide estruse / Extruded profiles / Extrudiertes Profil

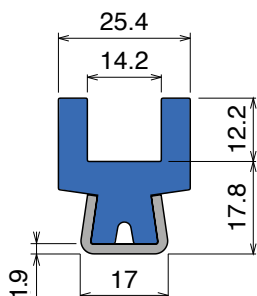
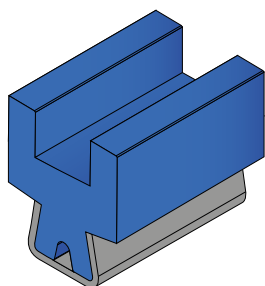
145 Guida conica / Guide rail / Konische Führung

Stainless steel profile thickness: 1,5 mm



Article-Nr.	Material	Availability	Supply
14505C	Blue	On request	3 m bars
14503C	BluLub	On request	3 m bars
14504C	Ti-White	On request	3 m bars

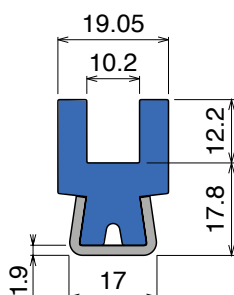
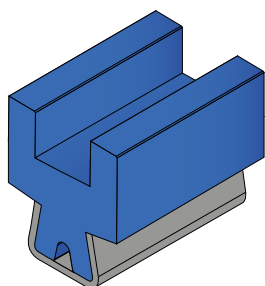
Stainless steel profile thickness: 1,9 mm



Article-Nr.	Material	Availability	Supply
14565	Blue	On request	3 m bars
14563	BluLub	On request	3 m bars
14564	Ti-White	On request	3 m bars

1087 Guida conica / Guide rail / Konische Führung

Stainless steel profile thickness: 1,9 mm



Article-Nr.	Material	Availability	Supply
108765	Blue	On request	3 m bars
108763	BluLub	On request	3 m bars
108764	Ti-White	On request	3 m bars

198-199

Macchina curvatrice / Bending machine / Biegemaschine



Electric Bending machine

Article-Nr. 19848

Dimension base: 665 x 740 mm
 Height: 1400 mm
 Approximate weight: 170 Kg
 Shafts diameter: 30 mm
 Rolls diameter: 137 mm
 Geared motor: HP 1
 Shafts speed: 9 RPM
 Steel frame
 Two forming rolls
 Steel shafts in special steel

Manual Bending machine

Article-Nr. 19999

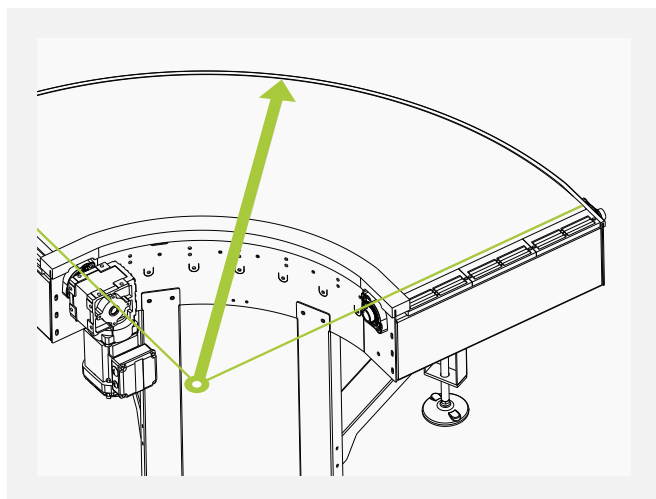


Dimension: 570 x 260 mm
 Approximate weight: 19 Kg
 Shafts diameter: 25 mm

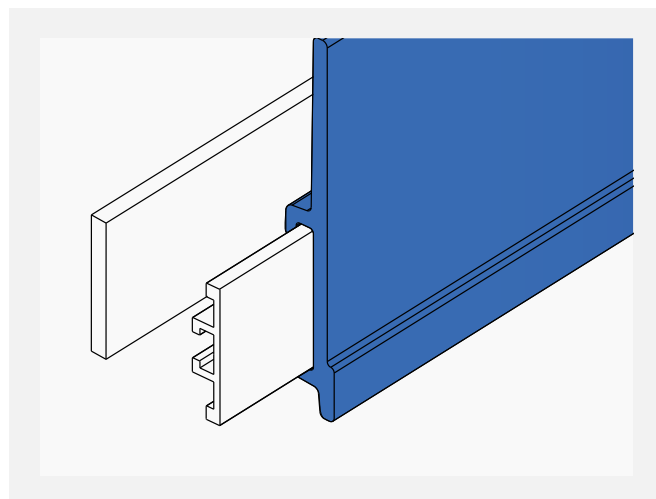
Height: 180 mm
 Steel frame

To achieve the correct curvature please follow below steps:

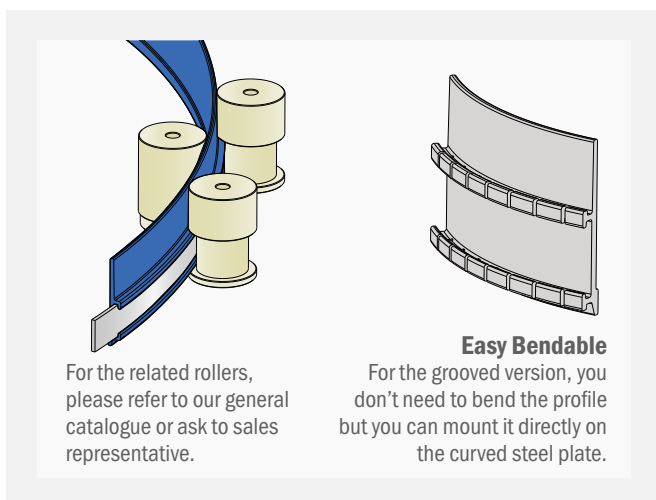
1 | Identify correct curve radius angle



2 | Insert the plate into the profile



3 | Bend assembled profile

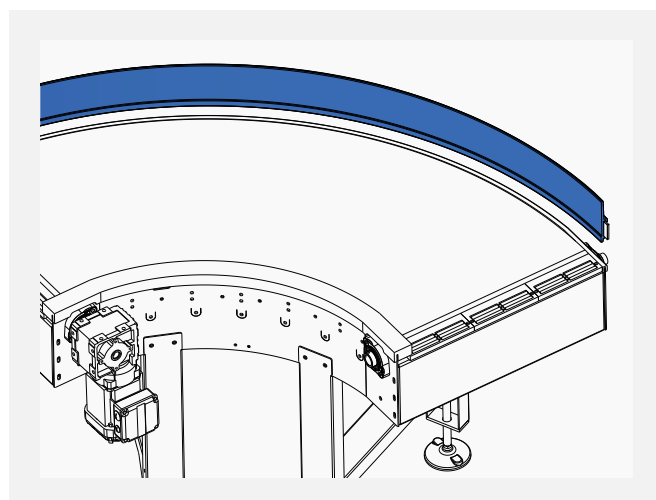


For the related rollers, please refer to our general catalogue or ask to sales representative.

Easy Bendable

For the grooved version, you don't need to bend the profile but you can mount it directly on the curved steel plate.

4 | Assemble the curved profile on the line



*For narrower profiles, bending operation can be done directly on the line, by hand.

Material:

Polyethylene UHMW-PE with molecular density 5,600,000 g/mol
 Linear expansion coefficient: $1.1 \times 10^{-4} \text{ } ^\circ\text{F}^{-1}$ ($2 \times 10^{-4} \text{ } ^\circ\text{C}^{-1}$)
 Operating temperature: -40 to 176°F (-40 to +80°C)

151

Rulli per macchina curvatrice / Roller for bending machine / Rollen für Biegemaschine

Ø 25 mm Manual bending machine

Ø 30 mm Electric bending machine

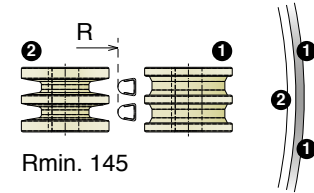
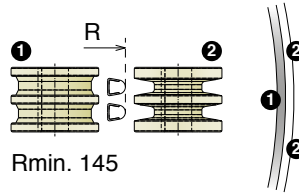


Internal curve

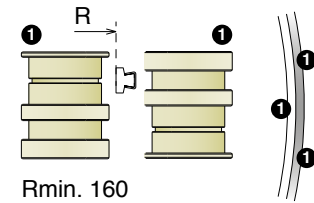
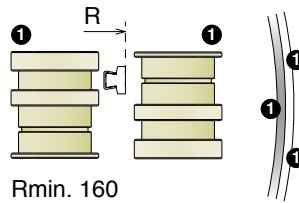
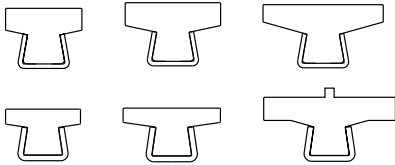


External curve

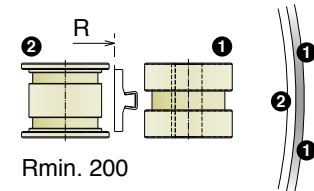
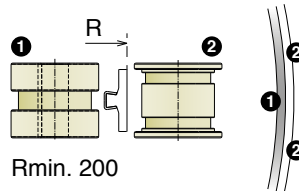
Article-Nr.	Ø (mm)	Suitable for Part.
15101	25	119 - 120 - 121 - 152
15101E	30	119 - 120 - 121 - 152



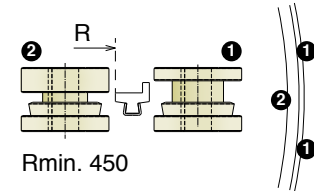
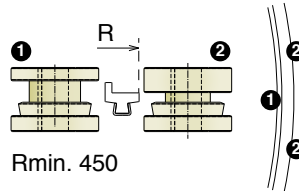
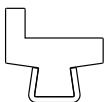
Article-Nr.	Ø (mm)	Suitable for Part.
15102	25	122 - 123 - 124 - 142 - 140 - 146
15102E	30	122 - 123 - 124 - 142 - 140 - 146



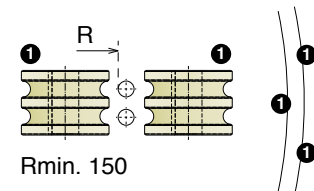
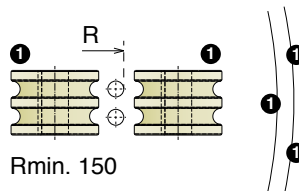
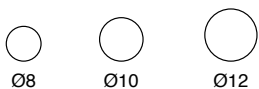
Article-Nr.	Ø (mm)	Suitable for Part.
15103	25	141
15103E	30	141



Article-Nr.	Ø (mm)	Suitable for Part.
15104	25	144
15104E	30	144



Article-Nr.	Ø (mm)	Suitable for Part.
15105	25	Ø8 - Ø10 - Ø12
15105E	30	Ø8 - Ø10 - Ø12



Material:

Polyethylene UHMW-PE with molecular density 5,600,000 g/mol
 Linear expansion coefficient: $1.1 \times 10^{-4} \text{ } ^\circ\text{F}^{-1}$ ($2 \times 10^{-4} \text{ } ^\circ\text{C}^{-1}$)
 Operating temperature: -40 to 176°F (-40 to +80°C)

151

Rulli per macchina curvatrice / Roller for bending machine / Rollen für Biegemaschine

Ø 25 mm Manual bending machine

Ø 30 mm Electric bending machine

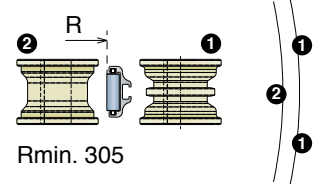
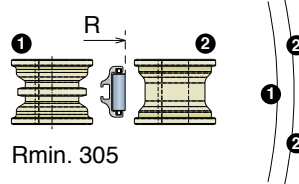


Internal curve

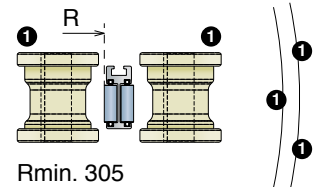
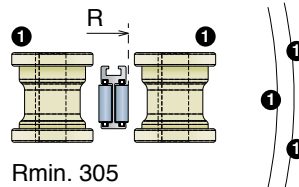
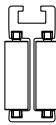


External curve

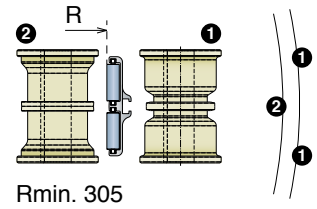
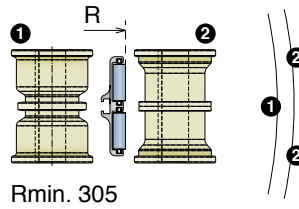
Article-Nr.	Ø (mm)	Suitable for Part.
15109	25	358
15109E	30	358



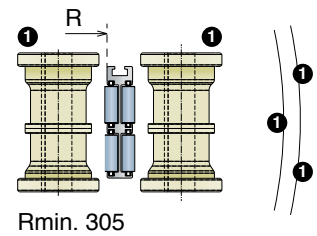
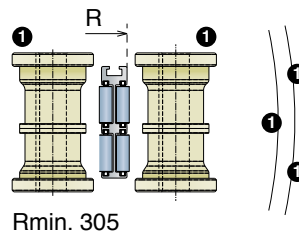
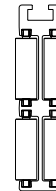
Article-Nr.	Ø (mm)	Suitable for Part.
15110	25	360
15110E	30	360



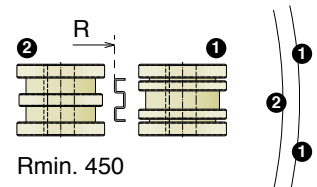
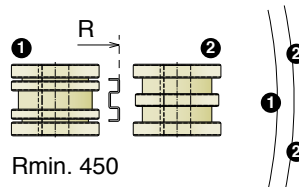
Article-Nr.	Ø (mm)	Suitable for Part.
15106	25	359
15106E	30	359



Article-Nr.	Ø (mm)	Suitable for Part.
15107	25	361
15107E	30	361



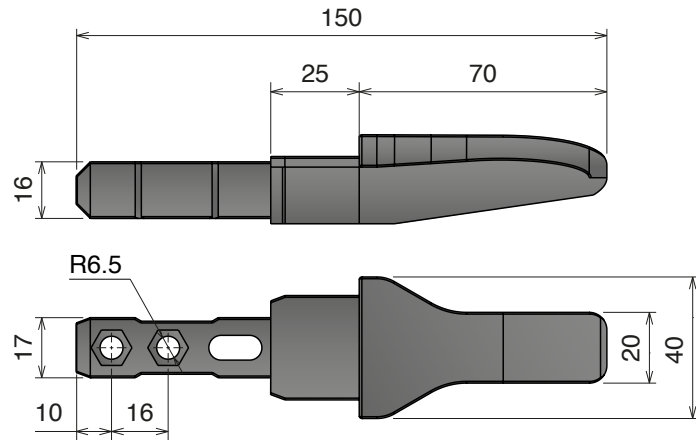
Article-Nr.	Ø (mm)	Suitable for Part.
15108	25	117
15108E	30	117



113 Pattino guida catena, centrale / Central wear strip shoe / Zentraler Einlaufschuh

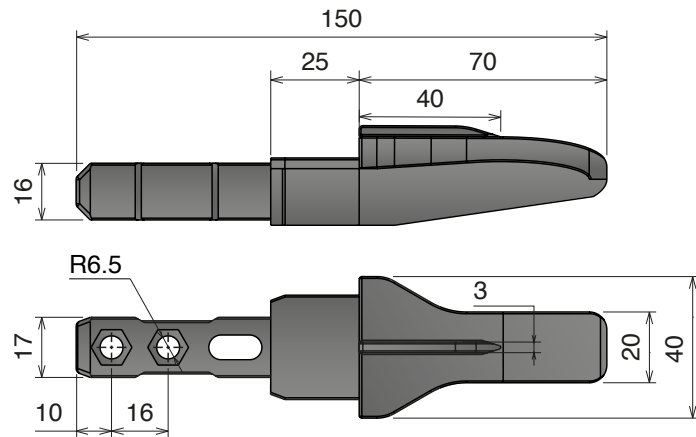
Used with Part 112 Pag 123

Article-Nr.	Colour	Availability
11301	Black	On request



CON NERVATURA / WITH NOSE / MIT NASE

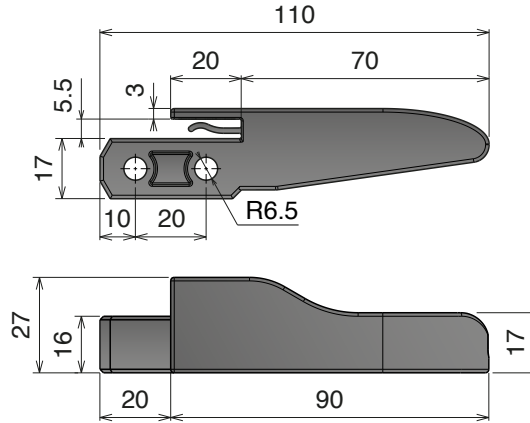
Article-Nr.	Colour	Availability
11302	Black	On request



113

Pattino guida catena, laterale / Lateral wear strip shoe / Seitlicher Einlaufschuh

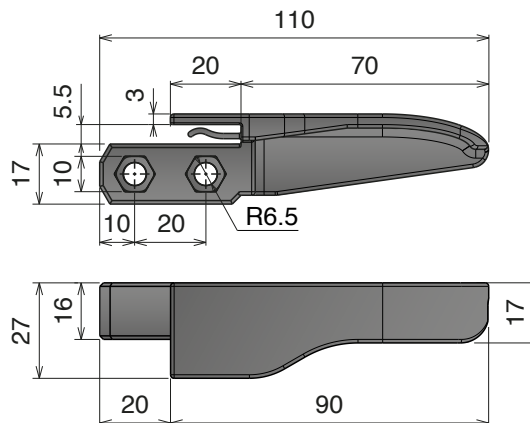
VERSION LEFT



Article-Nr.	Colour	Availability
-------------	--------	--------------

11351	Black	On request
-------	-------	------------

VERSION RIGHT



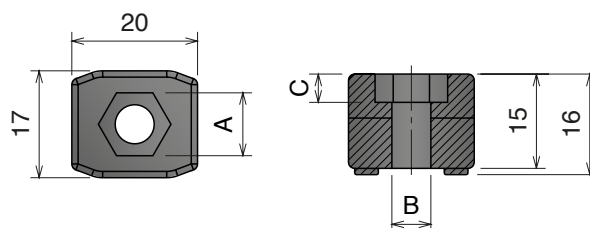
Article-Nr.	Colour	Availability
-------------	--------	--------------

11352	Black	On request
-------	-------	------------

114

Blocchetto fissaggio / Fixing clamp / Fixierblock

Used with Part 112 Pag 123



Article-Nr.	A	B	C	Colour	Availability
-------------	---	---	---	--------	--------------

11401	10	6,2	4,5	Black	On request
-------	----	-----	-----	-------	------------

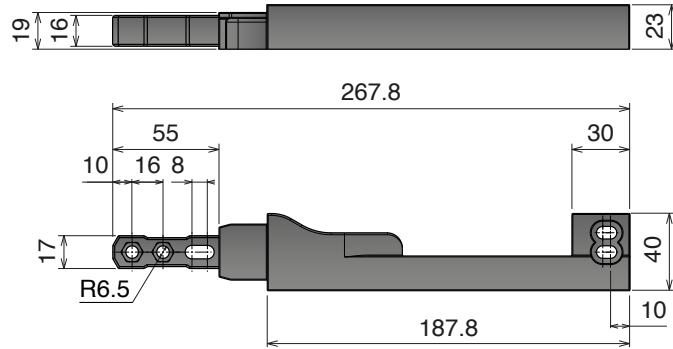
11402	13	8,2	6	Black	On request
-------	----	-----	---	-------	------------

116 Pattino guida catena, laterale / Side transfer guide shoe / Seitlicher Tranferschuh

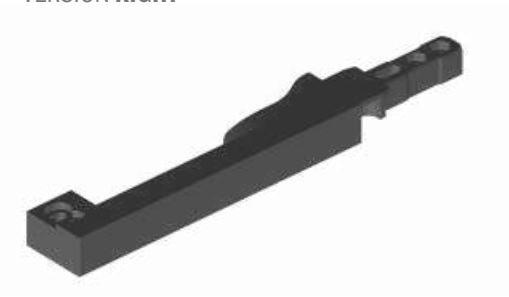
Used with Part 112 Pag 123

Article-Nr.	Colour	Availability
11651	Black	On request

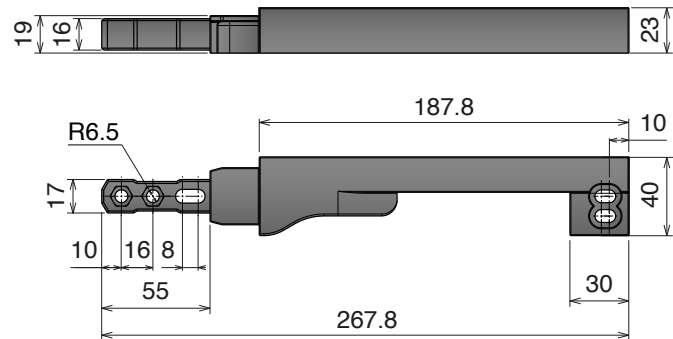
VERSION LEFT



VERSION RIGHT



Article-Nr.	Colour	Availability
11652	Black	On request



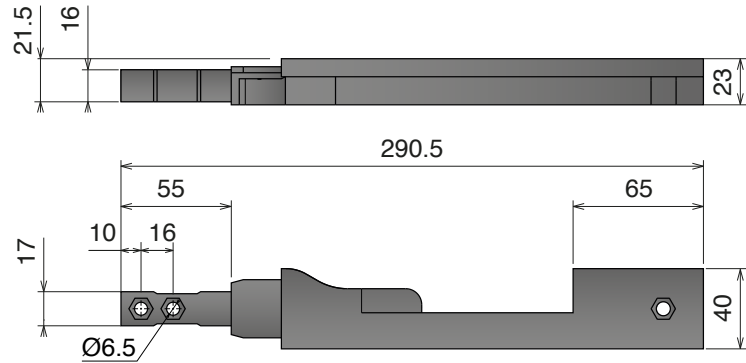
116

Pattino guida catena, laterale / Side transfer guide shoe / Seitlicher Transferschuh

Used with Part 112 Pag 123

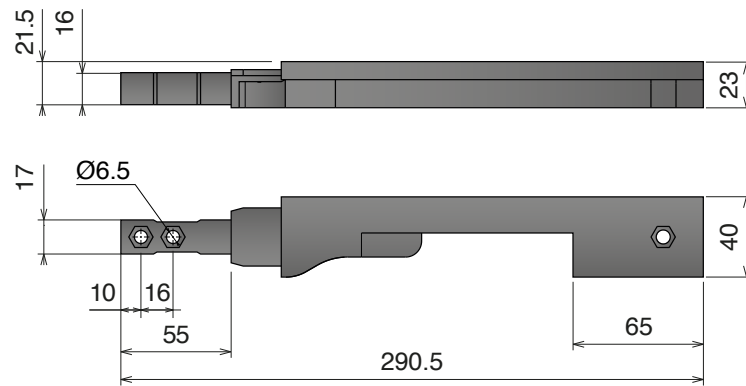
VERSION LEFT

Article-Nr.	Colour	Availability
11601	Black	On request



VERSION RIGHT

Article-Nr.	Colour	Availability
11602	Black	On request

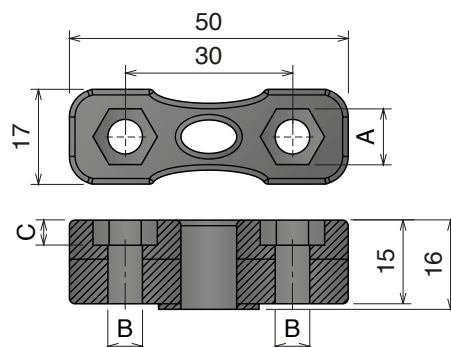


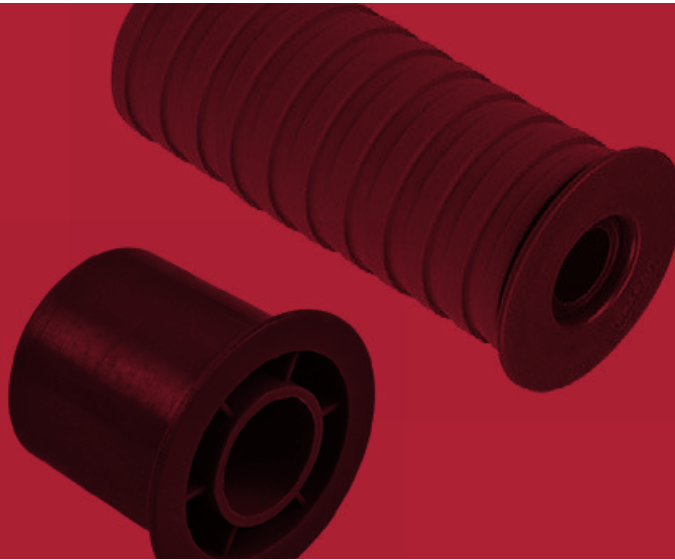
115

Blocchetto giunzione / Connecting element / Verbindungselement

Used with Part 112 Pag 123

Article-Nr.	A	B	C	Colour	Availability
11501	10	6,2	4,5	Black	On request
11502	13	8,2	6	Black	On request





219 - Ø40  Pag 178	220 - Ø47  Pag 178	201 - Ø50  Pag 179	203 - Ø57  Pag 179	202 - Ø60  Pag 180	204 - Ø67  Pag 180
222 - Ø40  Pag 181	223 - Ø47  Pag 181	224 - Ø50  Pag 182	225 - Ø57  Pag 182	226 - Ø60  Pag 183	227 - Ø67  Pag 183
236  Pag 184	237  Pag 184	221  Pag 184	215  Pag 185	217  Pag 185	

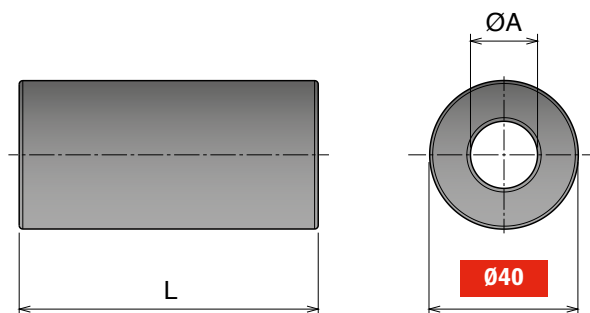
This catalog contains only a limited selection of all the products available at Movex S.p.A.
 For a complete overview, please visit our website or contact your sales representative.

219 Rullini di ritorno D=40 mm Return roller D=40 mm / Rückführrolle D=40 mm

 WATERTIGHT



Part	Article-Nr.	L	ØA
219	21951	41	16
219	21952	41	18
219	21953	41	20
219	21901	82,5	16
219	21902	82,5	18
219	21903	82,5	20
219	21911	84,5	16
219	21912	84,5	18
219	21913	84,5	20
219	21964	116	12
219	21961	116	16
219	21962	116	18
219	21963	116	20

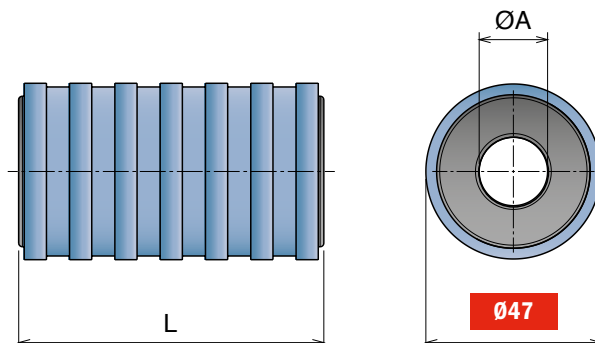


220 Rullini di ritorno gommati D=47 mm Return roller with rubber D=47 mm / Rückführrolle gummiert D=47 mm

 WATERTIGHT



Part	Article-Nr.	L	ØA
220	22051	41	16
220	22052	41	18
220	22053	41	20
220	22001	82,5	16
220	22002	82,5	18
220	22003	82,5	20
220	22011	84,5	16
220	22012	84,5	18
220	22013	84,5	20
220	22064	116	12
220	22061	116	16
220	22062	116	18
220	22063	116	20



Materiale / Material / Materialien:

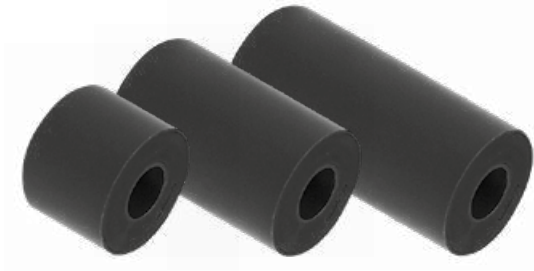
Rullino: Polietilene (PE)/Roller: Polyethylene (PE)

Rückführrolle Polyäthylen (PE)

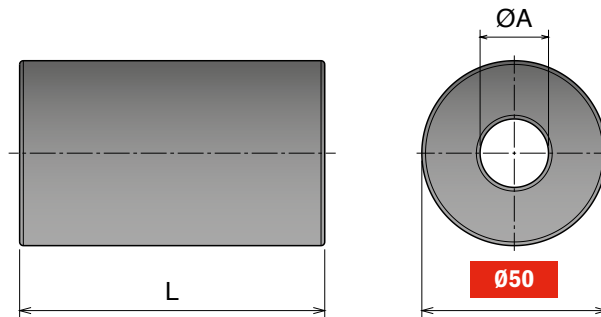
Gomma: TPR / Rubber: TPR / Gummi: TPR

201 Rullini di ritorno D=50 mm Return roller D=50 mm / Rückführrolle D=50 mm

WATERTIGHT



Part	Article-Nr.	L	ØA
201	20151	41	16
201	20152	41	18
201	20153	41	20
201	20101	82,5	16
201	20102	82,5	18
201	20103	82,5	20
201	20111	84,5	16
201	20112	84,5	18
201	20113	84,5	20
201	20164	116	12
201	20161	116	16
201	20162	116	18
201	20163	116	20

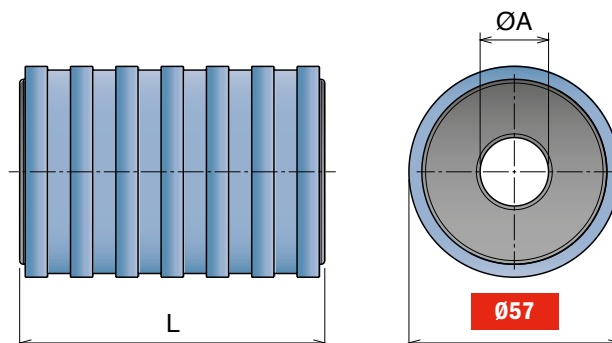


203 Rullini di ritorno gommati D=57 mm Return roller with rubber D=57 mm / Rückführrolle gummiert D=57 mm

WATERTIGHT



Part	Article-Nr.	L	ØA
203	20351	41	16
203	20352	41	18
203	20353	41	20
203	20301	82,5	16
203	20302	82,5	18
203	20303	82,5	20
203	20311	84,5	16
203	20312	84,5	18
203	20313	84,5	20
203	20364	116	12
203	20361	116	16
203	20362	116	18
203	20363	116	20



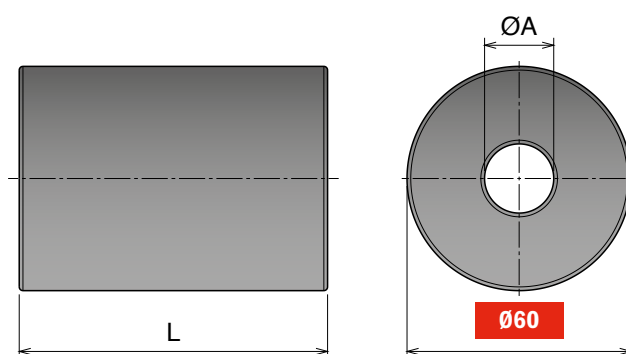
202 Rullini di ritorno D=60 mm Return roller D=60 mm / Rückführrolle D=60 mm

RANGE EXTENSION

WATERTIGHT



Part	Article-Nr.	L	ØA
202	20251	41	16
202	20252	41	18
202	20253	41	20
202	20201	82,5	16
202	20202	82,5	18
202	20203	82,5	20
202	20211	84,5	16
202	20212	84,5	18
202	20213	84,5	20
202	20264	116	12
202	20261	116	16
202	20262	116	18
202	20263	116	20



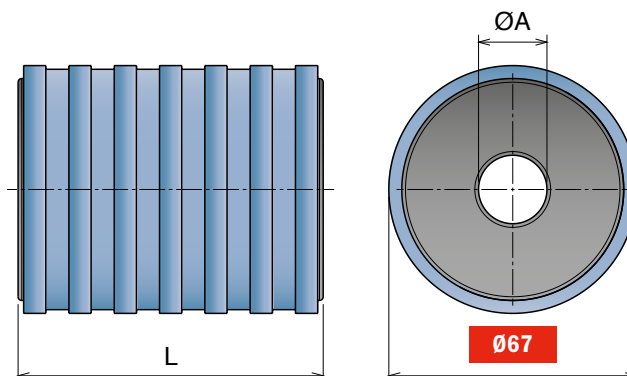
204 Rullini di ritorno gommati D=67 mm Return roller with rubber D=67 mm / Rückführrolle gummiert D=67 mm

RANGE EXTENSION

WATERTIGHT



Part	Article-Nr.	L	ØA
204	20451	41	16
204	20452	41	18
204	20453	41	20
204	20401	82,5	16
204	20402	82,5	18
204	20403	82,5	20
204	20411	84,5	16
204	20412	84,5	18
204	20413	84,5	20
204	20464	116	12
204	20461	116	16
204	20462	116	18
204	20463	116	20

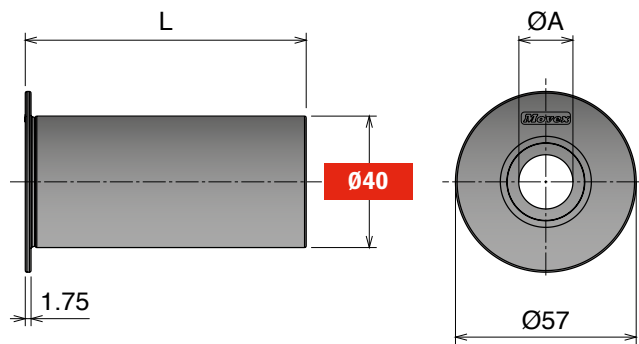


Materiale / Material / Materialien:
 Rullino: Polietilene (PE)/Roller: Polyethylene (PE)
 Rückführrolle Polyäthylen (PE)
 Gomma: TPR / Rubber: TPR / Gummi: TPR

222 Rullini di ritorno flangiati D=40 mm Return roller with flange D=40 mm / Rückführrolle mit Seitenscheibe D=40 mm

WATERTIGHT

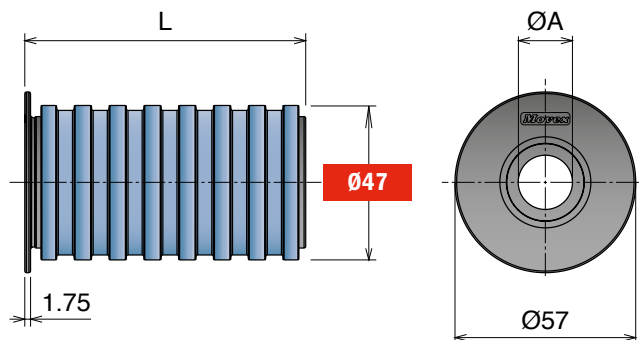
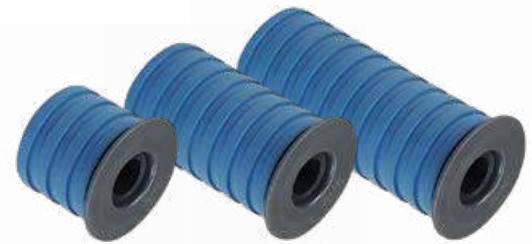
Part	Article-Nr.	L	ØA
222	22251	43	16
222	22252	43	18
222	22253	43	20
222	22201	85,5	16
222	22202	85,5	18
222	22203	85,5	20
222	22211	87,5	16
222	22212	87,5	18
222	22213	87,5	20
222	22264	119	12
222	22261	119	16
222	22262	119	18
222	22263	119	20



223 Rullini di ritorno flangiati gommati D=47 mm Return roller with flange and rubber D=47 mm / Rückführrolle gummiert mit Seitenscheibe D=47 mm

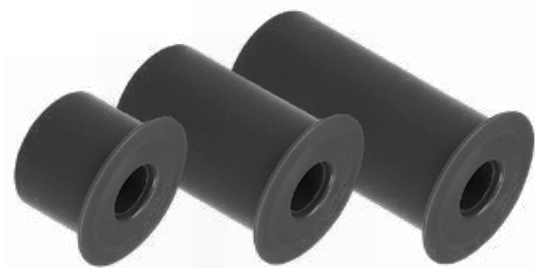
WATERTIGHT

Part	Article-Nr.	L	ØA
223	22351	43	16
223	22352	43	18
223	22353	43	20
223	22301	85,5	16
223	22302	85,5	18
223	22303	85,5	20
223	22311	87,5	16
223	22312	87,5	18
223	22313	87,5	20
223	22364	119	12
223	22361	119	16
223	22362	119	18
223	22363	119	20

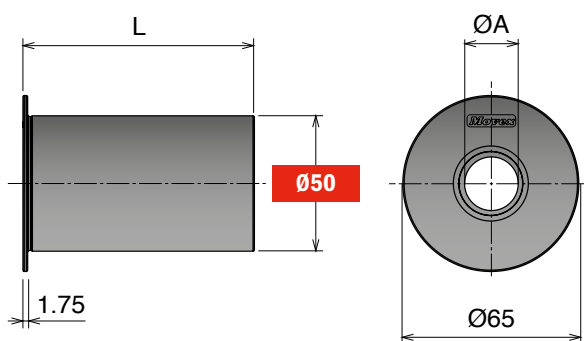


224 Rullini di ritorno flangiati D=50 mm Return roller with flange D=50 mm / Rückführrolle mit Seitenscheibe D=50 mm

 **WATERTIGHT**



Part	Article-Nr.	L	ØA
224	22451	43	16
224	22452	43	18
224	22453	43	20
224	22401	85,5	16
224	22402	85,5	18
224	22403	85,5	20
224	22411	87,5	16
224	22412	87,5	18
224	22413	87,5	20
224	22464	119	12
224	22461	119	16
224	22462	119	18
224	22463	119	20

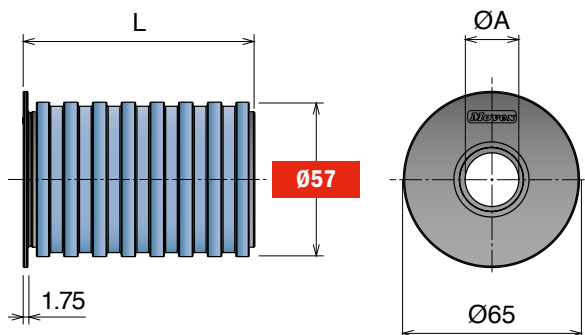


225 Rullini di ritorno flangiati gommati D=57 mm Return roller with flange and rubber D=57 mm / Rückführrolle gummiert mit Seitenscheibe D=57 mm

 **WATERTIGHT**



Part	Article-Nr.	L	ØA
225	22551	43	16
225	22552	43	18
225	22553	43	20
225	22501	85,5	16
225	22502	85,5	18
225	22503	85,5	20
225	22511	87,5	16
225	22512	87,5	18
225	22513	87,5	20
225	22564	119	12
225	22561	119	16
225	22562	119	18
225	22563	119	20



Materiale / Material / Materialien:

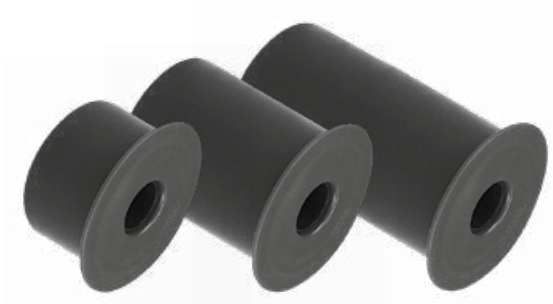
Rullino: Polietilene (PE)/Roller: Polyethylene (PE)

Rückführrolle Polyäthylen (PE)

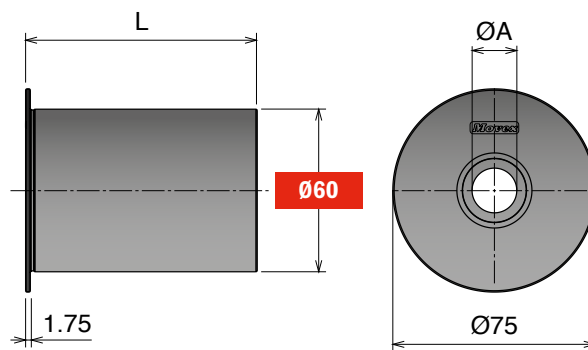
Gomma: TPR / Rubber: TPR / Gummi: TPR

226 Rullini di ritorno flangiati D=60 mm Return roller with flange D=60 mm / Rückführrolle mit Seitenscheibe D=60 mm

WATERTIGHT



Part	Article-Nr.	L	ØA
226	22651	43	16
226	22652	43	18
226	22653	43	20
226	22601	85,5	16
226	22602	85,5	18
226	22603	85,5	20
226	22611	87,5	16
226	22612	87,5	18
226	22613	87,5	20
226	22664	119	12
226	22661	119	16
226	22662	119	18
226	22663	119	20

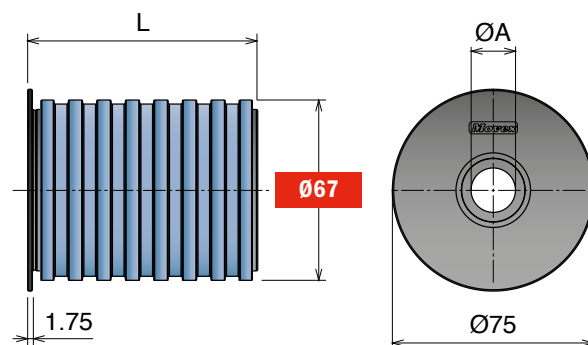


227 Rullini di ritorno flangiati gommati D=67 mm Return roller with flange and rubber D=67 mm / Rückführrolle gummiert mit Seitenscheibe D=67 mm

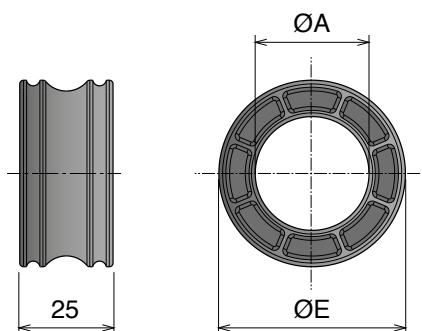
WATERTIGHT



Part	Article-Nr.	L	ØA
227	22751	43	16
227	22752	43	18
227	22753	43	20
227	22701	85,5	16
227	22702	85,5	18
227	22703	85,5	20
227	22711	87,5	16
227	22712	87,5	18
227	22713	87,5	20
227	22764	119	12
227	22761	119	16
227	22762	119	18
227	22763	119	20



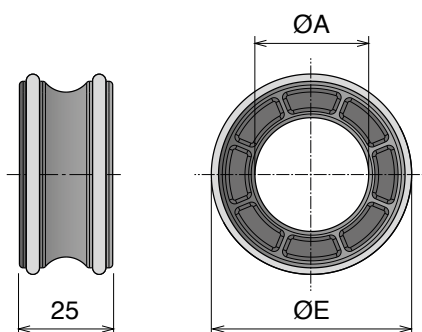
236 Rullini di ritorno con scanalatura Return roller with groove / Rückfűrrolle mit Nut



Part	Article-Nr.	ØE	ØA
236	23652	50	30
236	23656	70	30



237 Rullini di ritorno con scanalatura e O-ring Return roller with groove and O-ring / Rückfűrrolle mit Nut und O-ring

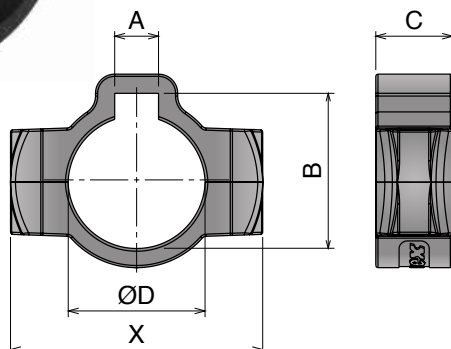


Part	Article-Nr.	ØE	ØA
237	23752	53	30
237	23756	73	30



221 Collare di riferimento con chiave Split collar with keyway / geteilter Stelling mit Nut

Max recommended tightening torque: 3 N mt



Part	Article-Nr.	A	B	C	ØD	X
221	22101	8	28,3	14	25	46
221	22102	8	33,3	16	30	51
221	22103	10	38,3	16	35	57
221	22104	12	43,3	18	40	64
221	22101Y	6,85	28,3	14	1"	46
221	22102Y	6,85	34,7	16	1,25"	52
221	22104Y	10,025	42,4	18	1,5"	64

Materiale / Material / Materialien:

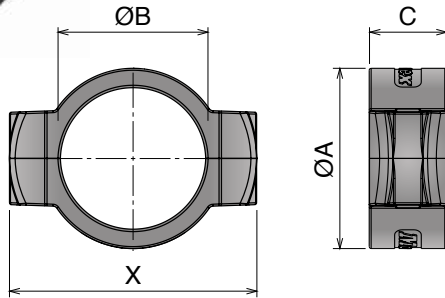
Part. 221/215/217: Morsetti: Poliammide/Clamps: Polyamide/Klemme: Polyamid

Viti: Acciaio inox/Screws: Stainless steel/Schraube: Edelstahl

Dadi: Ottone nichelato/Nuts: Nickel plated brass/Mutter: Messing vernickelt

215 Collare di riferimento Split collar / geteilter Stelling

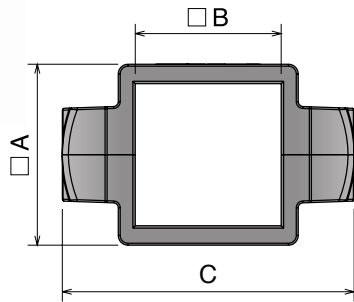
Max recommended tightening torque: 3 N mt



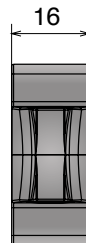
Part	Article-Nr.	ØA	ØB	C	X
215	21501	20	12	12	29,5
215	21502	22	14	12	31,5
215	21509	24	16	12	37
215	21503	26	18	14	42
215	21504	28	20	14	42
215	21505	32	25	14	46
215	21506	38	30	16	51
215	21507	43	35	16	57
215	21508	48	40	16	64
215	21501Y	20	0,5"	12	29,5
215	21503Y	26	0,75"	14	42
215	21505Y	32	1"	14	46
215	21506Y	38	1,25"	16	52
215	21508Y	48	1,5"	18	64

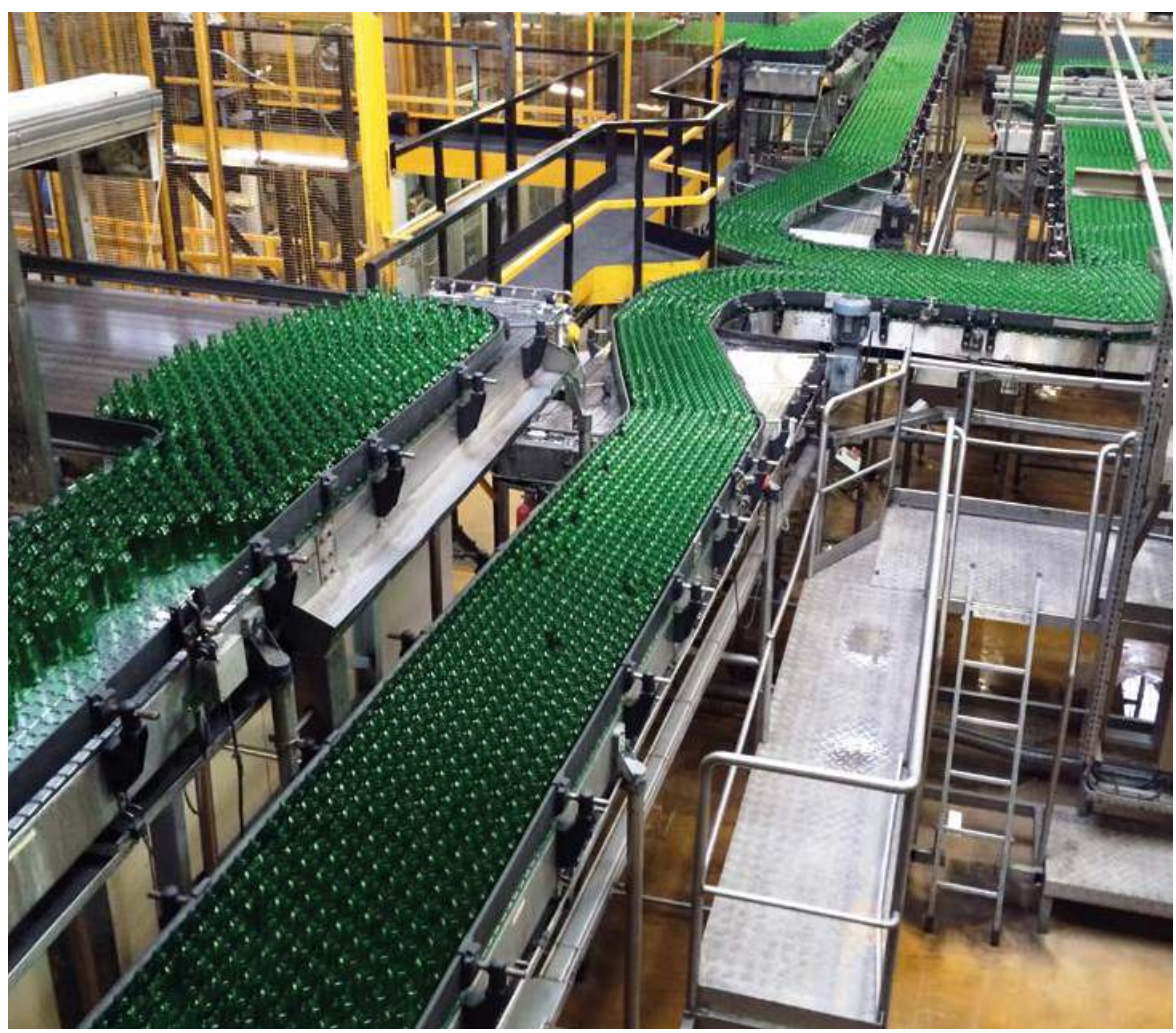
217 Collare di riferimento Split collar / geteilter Stelling

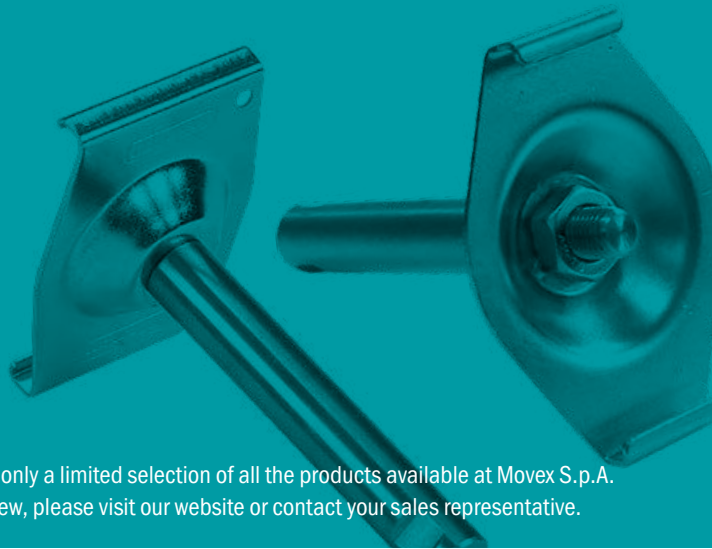
Max recommended tightening torque: 3 N mt



Part	Article-Nr.	□A	□B	C
217	21701	33	25	55
217	21702	37	30	60
217	21703	47	40	70
217	21704	59	50	81
217	21705	69	60	92







This catalog contains only a limited selection of all the products available at Movex S.p.A.
For a complete overview, please visit our website or contact your sales representative.

301 Pag 189	302 Pag 189	321 Pag 190	398 Pag 191	398 Pag 191	398 Pag 192
398 Pag 193	398 Pag 194	398 Pag 195	398 Pag 196	398 Pag 197	398 Pag 198
313 Pag 199	314 Pag 199	315 Pag 200	316 Pag 200	317 Pag 201	317 Pag 201
317 Pag 202	324 Pag 202	325 Pag 202	3009 Pag 203	326 Pag 203	337 Pag 204
338 Pag 204	339 Pag 204	328 Pag 205	329 Pag 205	330 Pag 205	362 Pag 205
362 Pag 206	3629 Pag 206	390 Pag 206	392 Pag 206	393 Pag 206	341 Pag 207
341 Pag 207	3310 Pag 208	3311 Pag 208	345 Pag 208	349 Pag 209	350 Pag 209
351 Pag 209	3004 Pag 210	352 Pag 210	3005 Pag 210	347 Pag 211	348 Pag 211

346



Pag 211

356



Pag 212

357



Pag 212

3099



Pag 212

3011



Pag 213

397



Pag 213

374



Pag 214

375



Pag 214

903



Pag 215

903



Pag 215

998



Pag 215

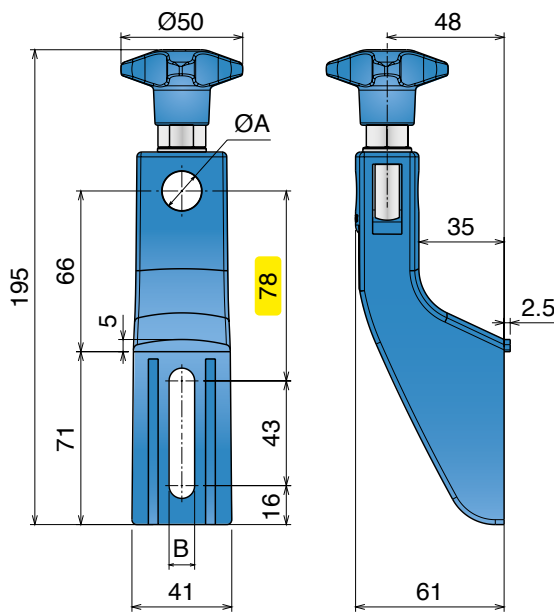
Materiale / Material / Materialien:

Supporto: PA/Support: PA/Halter: PA

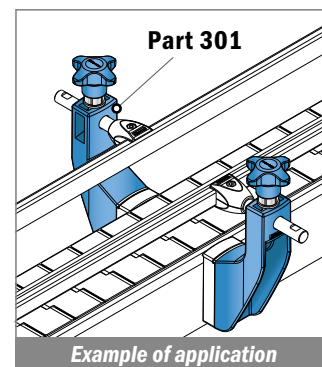
Volantino: PA+ottone nichelato/Knob: PA+nickel plated brass/Sterngriff: PA+ Messing vernickelt

Tirante: Acciaio inox/Eyebolt: Stainless steel/Augenschraube: Edelstahl

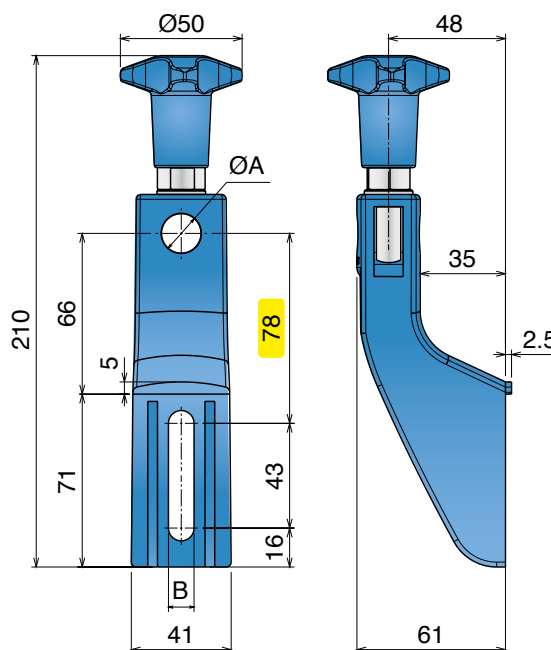
301 Supporto laterale -piccolo- Side bracket -small- / Geländerhalter -klein-



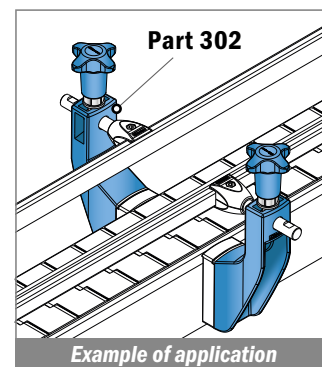
Part	Article-Nr.	ØA	B	Colour
301	30151	12	9	Hygienic blue
301	30155	14	9	Hygienic blue
301	30152	16	9	Hygienic blue
301	30153	12	10,5	Hygienic blue
301	30156	14	10,5	Hygienic blue
301	30154	16	10,5	Hygienic blue
301	30101	12	9	Black
301	30105	14	9	Black
301	30102	16	9	Black
301	30103	12	10,5	Black
301	30106	14	10,5	Black
301	30104	16	10,5	Black



302 Supporto laterale -piccolo- volantino alto Side bracket -small- high knob / Geländerhalter -klein- hoher Sterngriff

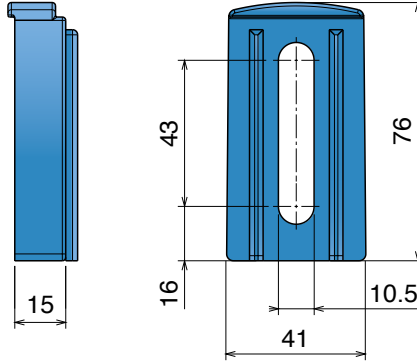


Part	Article-Nr.	ØA	B	Colour
302	30251	12	9	Hygienic blue
302	30255	14	9	Hygienic blue
302	30252	16	9	Hygienic blue
302	30253	12	10,5	Hygienic blue
302	30256	14	10,5	Hygienic blue
302	30254	16	10,5	Hygienic blue
302	30201	12	9	Black
302	30205	14	9	Black
302	30202	16	9	Black
302	30203	12	10,5	Black
302	30206	14	10,5	Black
302	30204	16	10,5	Black

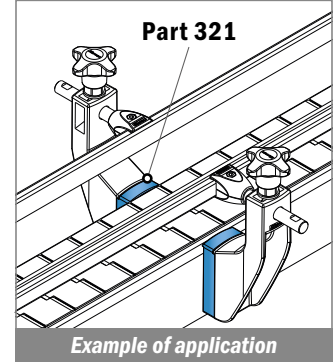


321 Distanziale per supporto -piccolo Spacer for bracket -small / Distanzstück für Geländerhalter -klein

Used with bracket Part. 301-302 Pag 189



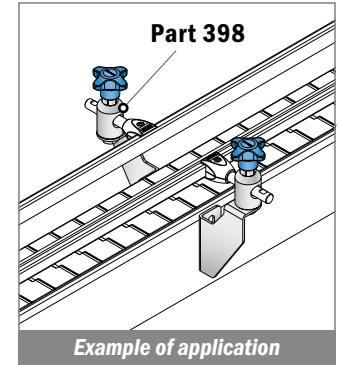
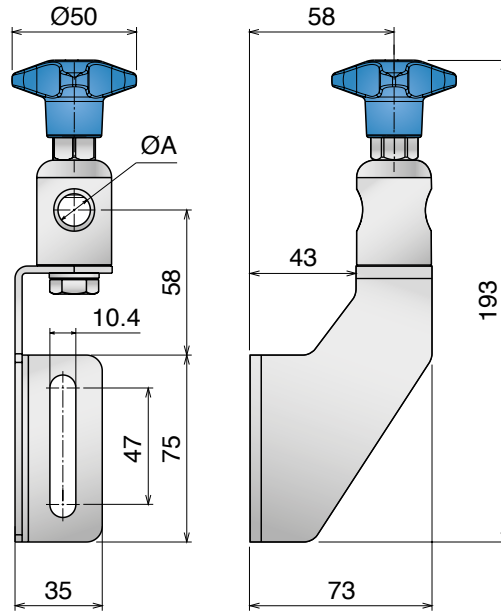
Part	Article-Nr.	Colour
321	32151	Hygienic blue
321	32101	Black



398 Supporto laterale inox -medio- orientabile
 SS bracket -medium- adjustable / Edelstahl Geländerhalter -medium- einstellbar

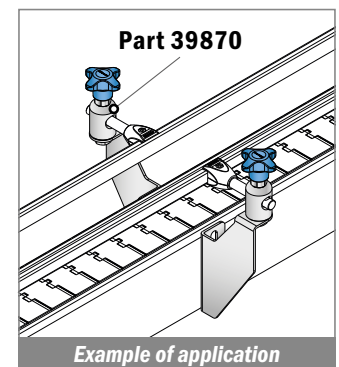
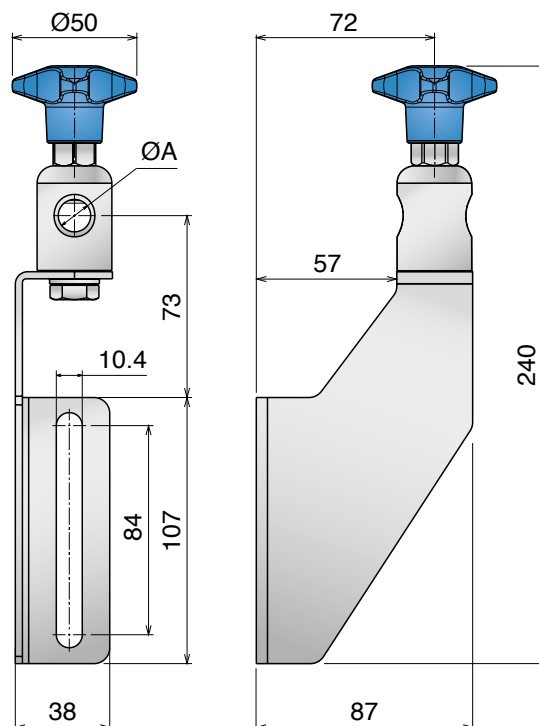
NOW ALSO IN HYGIENIC BLUE

Part	Article-Nr.	ØA	Knob Colour
398	39860HB	12	Hygienic blue
398	39862HB	14	Hygienic blue
398	39861HB	16	Hygienic blue
398	39860	12	Black
398	39862	14	Black
398	39861	16	Black



Supporto laterale inox -grande- orientabile
 SS bracket -large- adjustable / Edelstahl Geländerhalter -groß- einstellbar

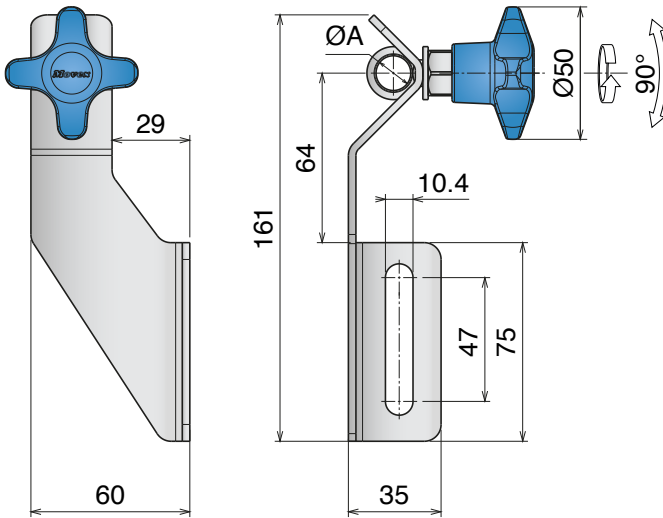
Part	Article-Nr.	ØA	Knob Colour
398	39870HB	12	Hygienic blue
398	39872HB	14	Hygienic blue
398	39871HB	16	Hygienic blue
398	39870	12	Black
398	39872	14	Black
398	39871	16	Black



398 Supporto laterale inox - piccolo SS bracket -small / Edelstahl Geländerhalter -klein

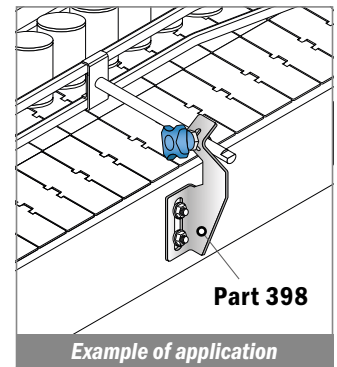
Stainless Steel | AISI 304

Width 60 mm – Height 64 mm



Advantages:

- Hygienic design
- Stronger design
- Easy to install
- Corrosion resistant
- High temperature resistant
- Fixing system customizable



Stainless steel knob



Part	Article-Nr.	ØA
398	39810SK	12-13
398	39811SK	14
398	39812SK	16

Plastic knob



Part	Article-Nr.	ØA
398	39810HB	12-13
398	39811HB	14
398	39812HB	16

Stainless steel nut

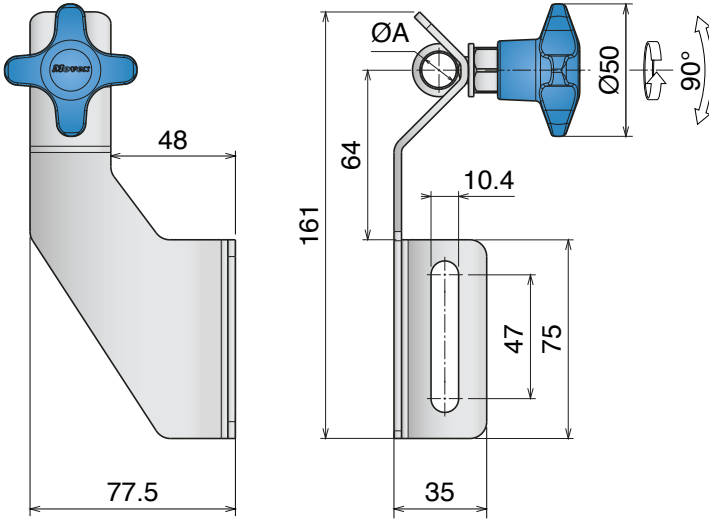


Part	Article-Nr.	ØA
398	39810S	12-13
398	39811S	14
398	39812S	16

398 Supporto laterale inox - medio
 SS bracket - medium / Edelstahl Geländerhalter - medium

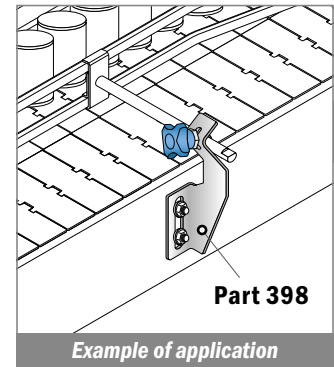
Stainless Steel | AISI 304

Width 77,5 mm – Height 64 mm



Advantages:

- Hygienic design
- Stronger design
- Easy to install
- Corrosion resistant
- High temperature resistant
- Fixing system customizable



Stainless steel knob

Plastic knob

Stainless steel nut



Part	Article-Nr.	ØA
398	39820SK	12-13
398	39821SK	14
398	39822SK	16

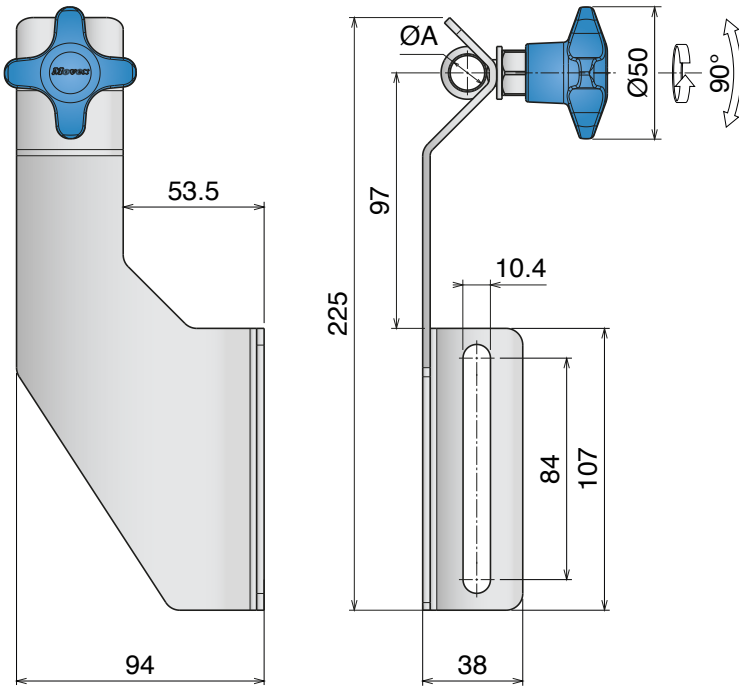
Part	Article-Nr.	ØA
398	39820HB	12-13
398	39821HB	14
398	39822HB	16

Part	Article-Nr.	ØA
398	39820S	12-13
398	39821S	14
398	39822S	16

398 Supporto laterale inox -grande SS bracket -large / Edelstahl Geländerhalter -groß

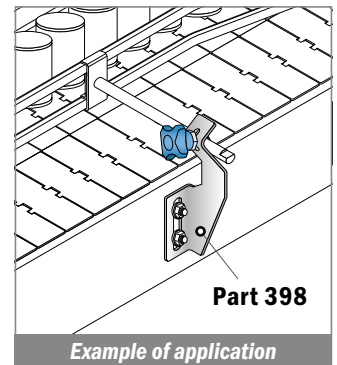
Stainless Steel | AISI 304

Width 94 mm - Height 97 mm



Advantages:

- Hygienic design
- Stronger design
- Easy to install
- Corrosion resistant
- High temperature resistant
- Fixing system customizable

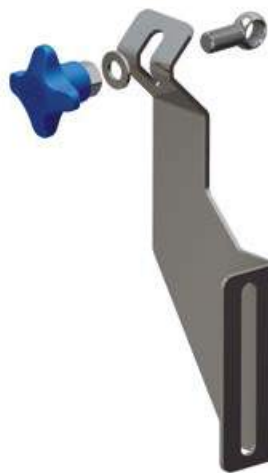


Stainless steel knob



Part	Article-Nr.	ØA
398	39830SK	12-13
398	39831SK	14
398	39832SK	16

Plastic knob



Part	Article-Nr.	ØA
398	39830HB	12-13
398	39831HB	14
398	39832HB	16

Stainless steel nut

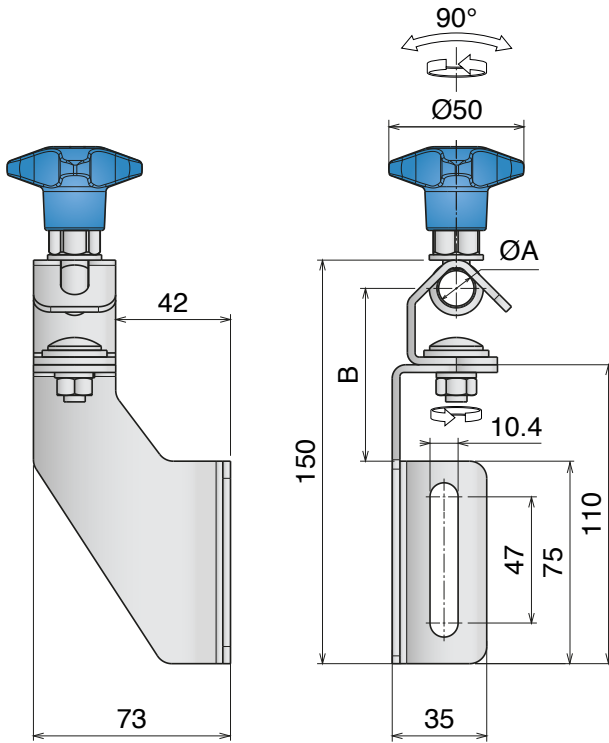


Part	Article-Nr.	ØA
398	39830S	12-13
398	39831S	14
398	39832S	16

398 Supporto laterale inox -medio- orientabile
 SS bracket -medium- adjustable / Edelstahl Geländerhalter -medium- einstellbar

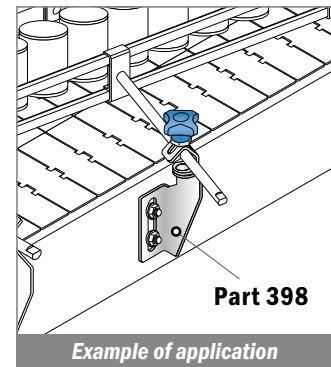
Stainless Steel | AISI 304

Width 73 mm – Height 64 mm



Advantages:

- Hygienic design
- Stronger design
- Easy to install
- Corrosion resistant
- High temperature resistant
- Fixing system customizable



Stainless steel knob



Plastic knob



Stainless steel nut



Part	Article-Nr.	ØA	B
398	39840SK	12-13	64
398	39841SK	14	62,5
398	39842SK	16	61

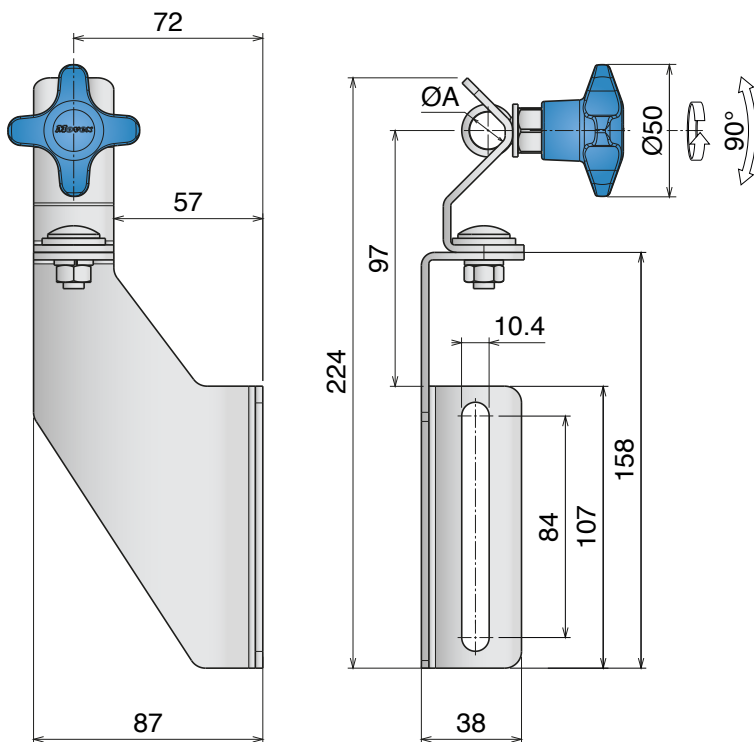
Part	Article-Nr.	ØA	B
398	39840HB	12-13	64
398	39841HB	14	62,5
398	39842HB	16	61

Part	Article-Nr.	ØA	B
398	39840S	12-13	64
398	39841S	14	62,5
398	39842S	16	61

398 Supporto laterale inox - grande- orientabile SS bracket -large- adjustable / Edelstahl Geländerhalter -groß- einstellbar

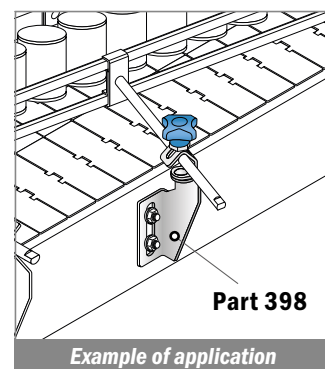
Stainless Steel | AISI 304

Width 87 mm - Height 97 mm



Advantages:

- Hygienic design
- Stronger design
- Easy to install
- Corrosion resistant
- High temperature resistant
- Fixing system customizable



Stainless steel knob



Part	Article-Nr.	ØA
398	39850SK	12-13
398	39851SK	14
398	39852SK	16

Plastic knob



Part	Article-Nr.	ØA
398	39850HB	12-13
398	39851HB	14
398	39852HB	16

Stainless steel nut

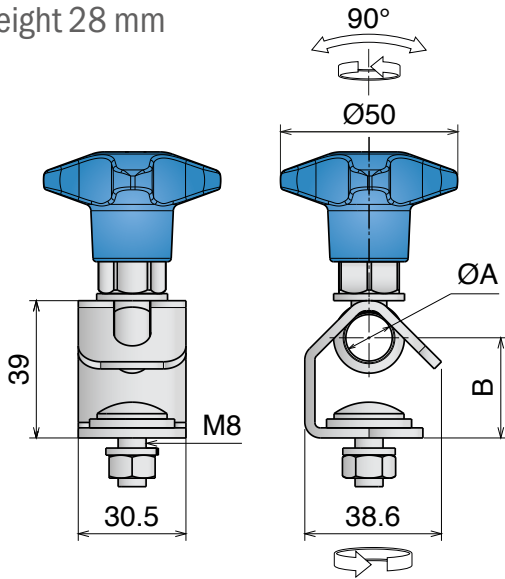


Part	Article-Nr.	ØA
398	39850S	12-13
398	39851S	14
398	39852S	16

398 Testina orientabile inox -media
 Stainless steel adjustable head -medium / Edelstahl Schwenkkopf -medium

Stainless Steel | AISI 304

Height 28 mm



Advantages:

- Hygienic design
- Stronger design
- Easy to install
- Corrosion resistant
- High temperature resistant
- Fixing system customizable

Stainless steel knob



Plastic knob



Stainless steel nut



Part	Article-Nr.	ØA	B
398	39845SK	12-13	29
398	39846SK	14	27,5
398	39847SK	16	26

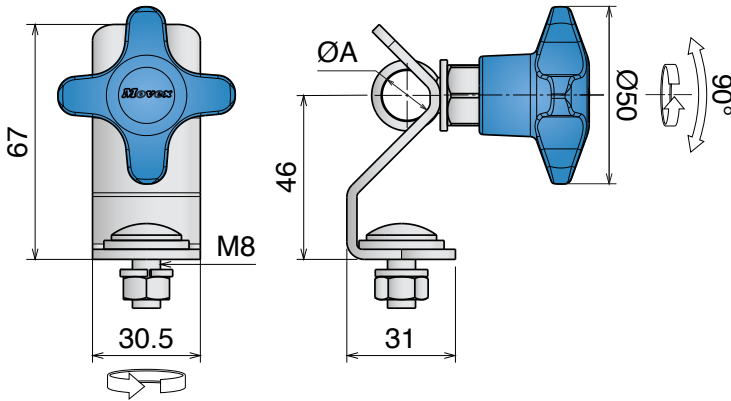
Part	Article-Nr.	ØA	B
398	39845HB	12-13	29
398	39846HB	14	27,5
398	39847HB	16	26

Part	Article-Nr.	ØA	B
398	39845S	12-13	29
398	39846S	14	27,5
398	39847S	16	26

398 Testina orientabile inox -alta Stainless steel adjustable head -large / Edelstahl Schwenkkopf -groß

Stainless Steel | AISI 304

Height 46 mm



Advantages:

- Hygienic design
- Stronger design
- Easy to install
- Corrosion resistant
- High temperature resistant
- Fixing system customizable

Stainless steel knob



Part	Article-Nr.	ØA
398	39855SK	12-13
398	39856SK	14
398	39857SK	16

Plastic knob



Part	Article-Nr.	ØA
398	39855HB	12-13
398	39856HB	14
398	39857HB	16

Stainless steel nut



Part	Article-Nr.	ØA
398	39855S	12-13
398	39856S	14
398	39857S	16

Materiale / Material / Materialien:

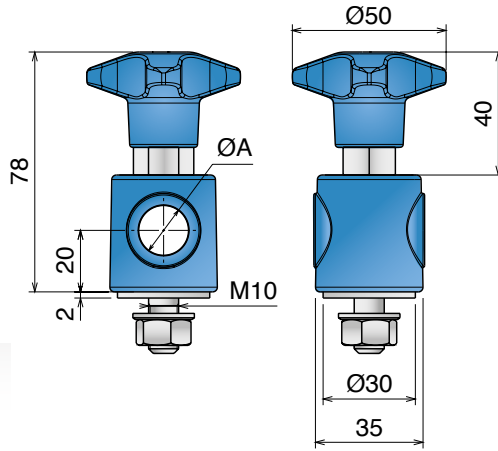
Volantino: PA+ottone nichelato/Knob: PA+nickel plated brass/Sterngriff: PA+ Messing vernickelt

Tirante: Acciaio inox/Eyebolt: Stainless steel/Augenschraube: Edelstahl

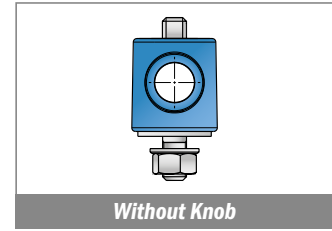
Testina: PA o Acciaio inox/Head: PA or stainless steel/Schwenkopf: PA oder Edelstahl

Vite, rondella e dado: Acciaio inox/Screw, washer and nut: Stainless steel/Schraube, Scheibe und Mutter: Edelstahl

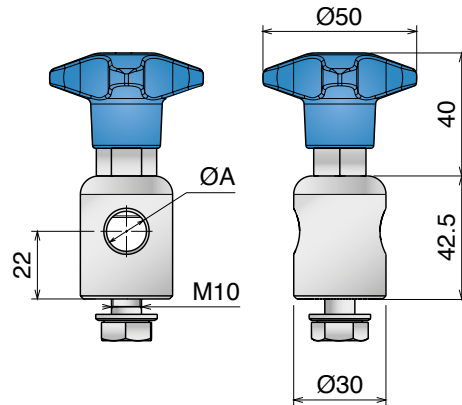
313 Testina orientabile
Adjustable head / Schwenkopf



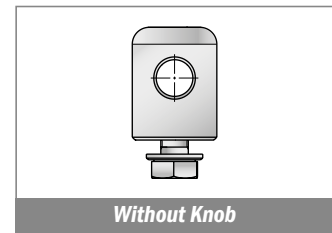
Part	Article-Nr.	ØA	Colour
313	31351	12	Hygienic blue
313	31353	14	Hygienic blue
313	31352	16	Hygienic blue
313	31301	12	Black
313	31303	14	Black
313	31302	16	Black
313	31311	12-without knob	-
313	31313	14-without knob	-
313	31312	16-without knob	-



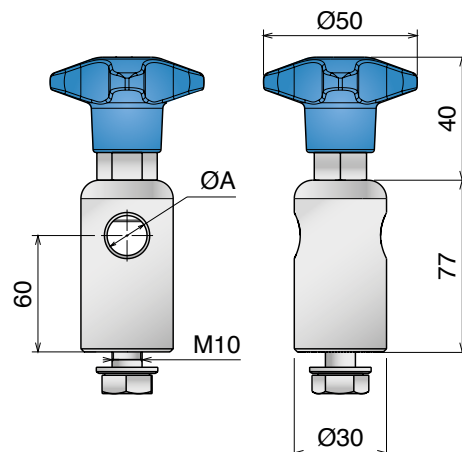
314 Testina orientabile, acciaio inox
Adjustable head, stainless steel / Schwenkopf, Edelstahl



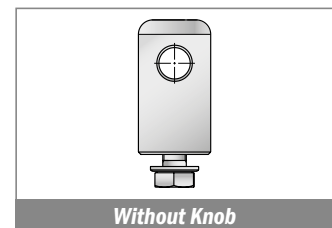
Part	Article-Nr.	ØA	Knob Colour
314	31451	12	Hygienic blue
314	31453	14	Hygienic blue
314	31452	16	Hygienic blue
314	31401	12	Black
314	31403	14	Black
314	31402	16	Black
314	31411	12-without knob	-
314	31413	14-without knob	-
314	31412	16-without knob	-



Testina orientabile alta, acciaio inox
Adjustable head, stainless steel / Schwenkopf, Edelstahl



Part	Article-Nr.	ØA	Knob Colour
314	31459	12	Hygienic blue
314	31464	14	Hygienic blue
314	31460	16	Hygienic blue
314	31409	12	Black
314	31414	14	Black
314	31410	16	Black
314	31419	12-without knob	-
314	31421	14-without knob	-
314	31420	16-without knob	-



315 Supporto laterale "L" L-bracket / Winkel

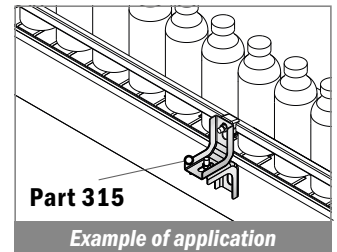
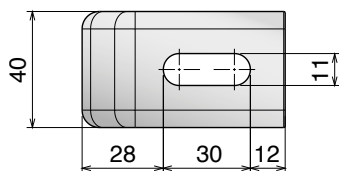
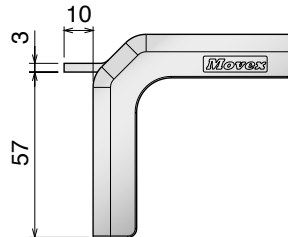
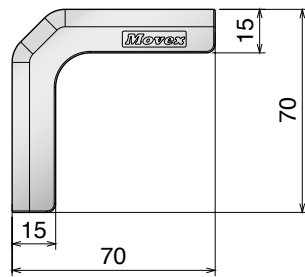
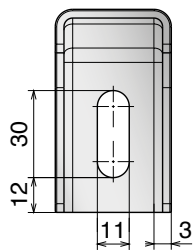
Stainless Steel | AISI 304

Part	Article-Nr.	Type
315	31501	A
315	31502	B



TYPE A - WITHOUT NOSE

TYPE B - WITH NOSE



Part 315

Example of application

316 Supporto laterale "L" L-bracket / Winkel

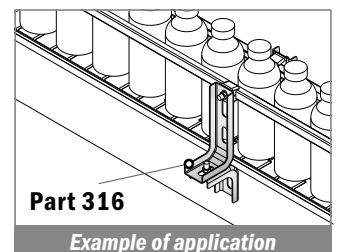
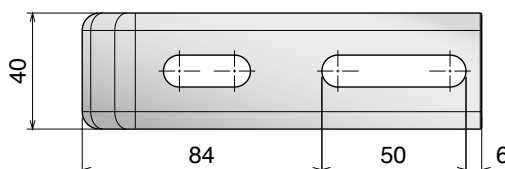
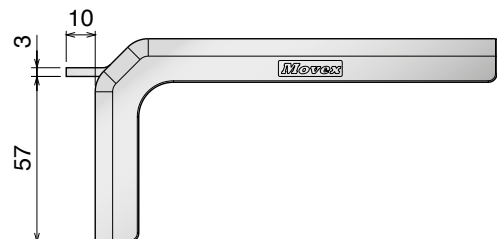
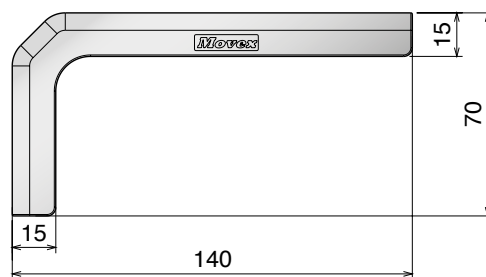
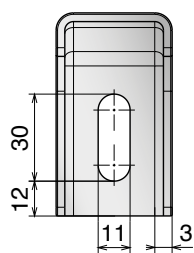
Stainless Steel | AISI 304

Part	Article-Nr.	Type
316	31601	A
316	31602	B



TYPE A - WITHOUT NOSE

TYPE B - WITH NOSE



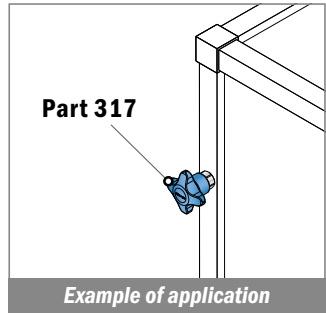
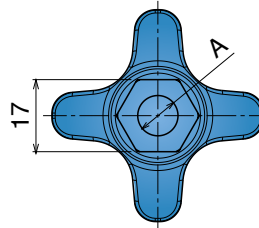
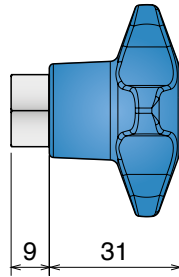
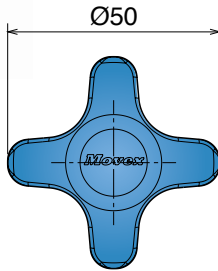
Part 316

Example of application

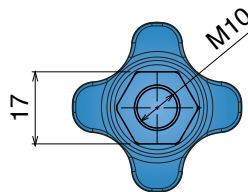
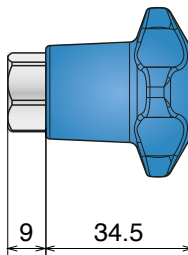
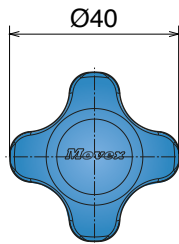
Materiale / Material / Materialien:
 Poliammide + ottone nichelato
 Polyamide + nickel plated brass
 Polyamid + Messing vernickelt

317 Volantino
 Star knob / Sterngriff

Part	Article-Nr.	A	Ø	Knob Colour
317	31753	M8	50	Hygienic blue
317	31751	M10	50	Hygienic blue
317	31754	M12	50	Hygienic blue
317	31702	M10	40	Black
317	31703	M8	50	Black
317	31701	M10	50	Black
317	31704	M12	50	Black

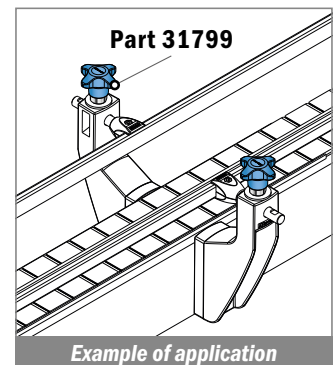
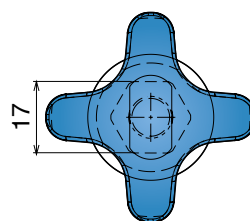
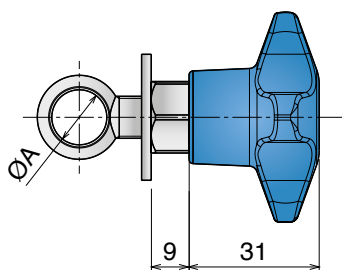
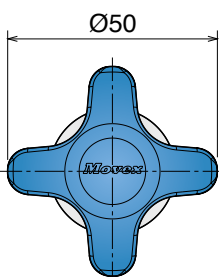


Example of application



Volantino con tirante
 Star knob with eye-bolt / Sterngriff mit Augenschraube

Part	Article-Nr.	ØA	Knob Colour
317	31759	12	Hygienic blue
317	31757	14	Hygienic blue
317	31758	16	Hygienic blue
317	31799	12	Black
317	31797	14	Black
317	31798	16	Black



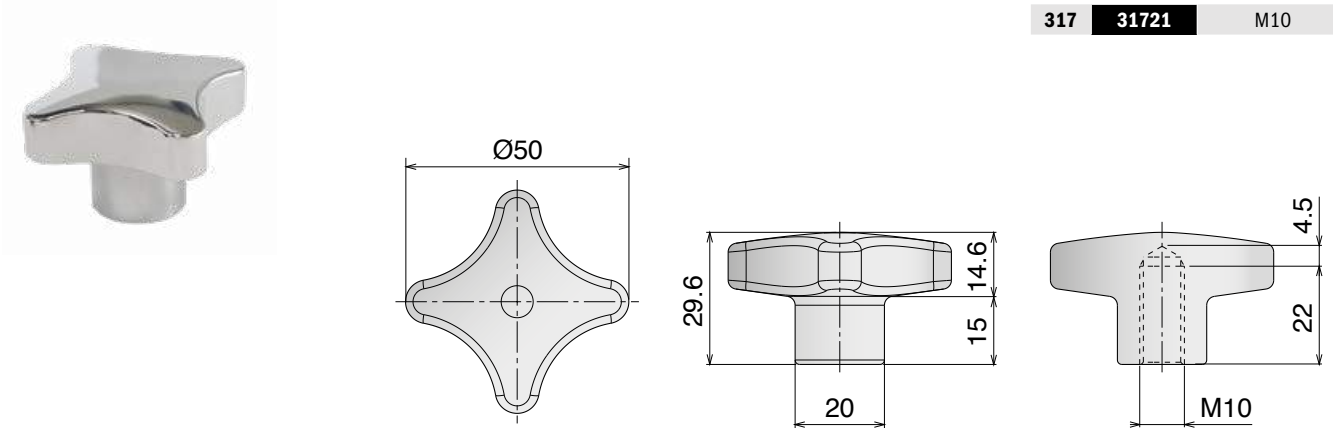
Example of application

• **Materiale / Material / Materialien:** Morsetti: PA/Clamp: PA/Klemme: PA
 Vite, perno e rondella: Acciaio inox/Screw, pin and washer: Stainless steel
 Schraube, Bolzen und Scheibe: Edelstahl
 Dado: ottone nichelato/Nut: nickel plated brass/Mutter: Messing vernickelt

317 Volantino Acciaio inox Star knob stainless steel / Sterngriff Edelstahl

Stainless Steel | AISI 304

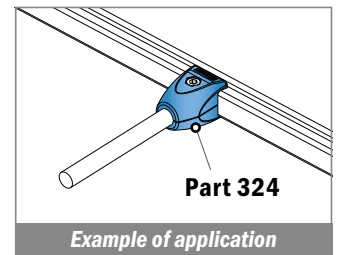
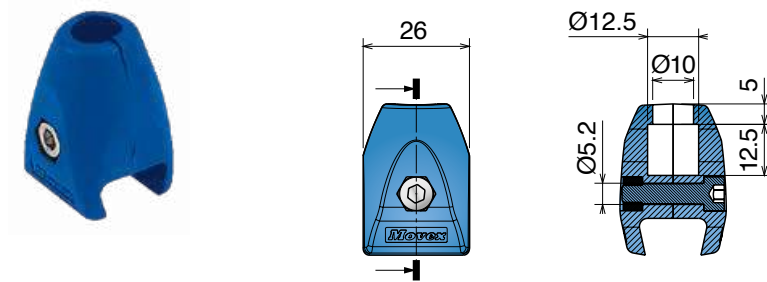
Part	Article-Nr.	ØA
317	31721	M10



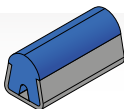
324 Morsetto singolo per guida laterale conica Single clamp for conical side guide / Einfachklemme für konische Seitenführung

Used with Part 349/350 Pag 209 and Part 356 Pag 212

Part	Article-Nr.	ØA	Colour
324	32451	without pin	Hygienic blue
324	32401	without pin	Black



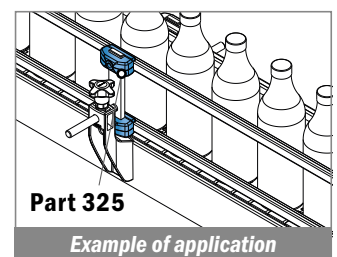
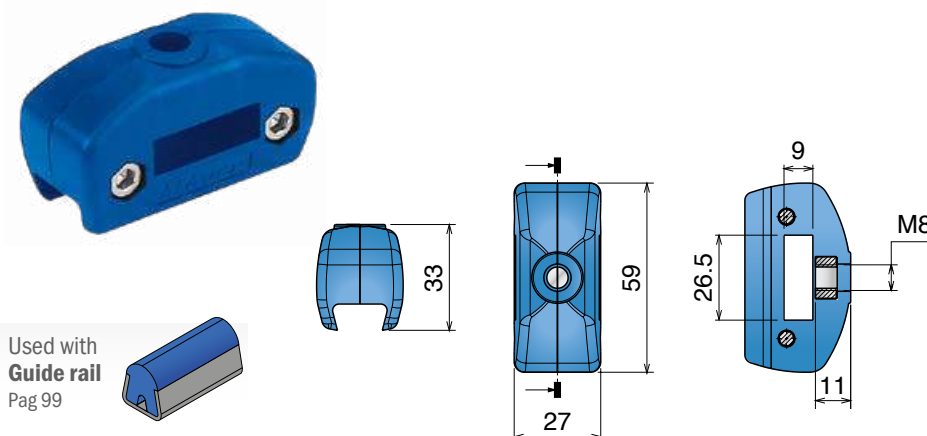
Used with
Guide rail
 Pag 99



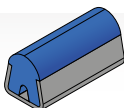
325 Morsetto singolo per guida laterale conica Single clamp for conical side guide / Einfachklemme für konische Seitenführung

Used with Part 351 Pag 209 and Part 352/3004/3005 Pag 210 (Thread M8)

Part	Article-Nr.	ØA	Colour
325	32551	without pin	Hygienic blue
325	32501	without pin	Black



Used with
Guide rail
 Pag 99



Materiale / Material / Materialien: Morsetti: PA/Clamp: PA/Klemme: PA
 Vite, perno e rondella: Acciaio inox/Screw, pin and washer: Stainless steel Schraube, Bolzen und Scheibe: Edelstahl
 Dado: ottone nichelato/Nut: nickel plated brass/Mutter: Messing vernickelt
 Part. 326: Poliammide / Polyamide / Polyamid

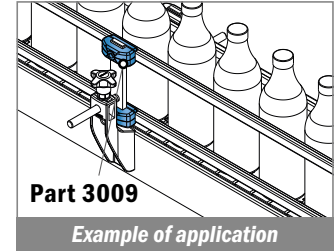
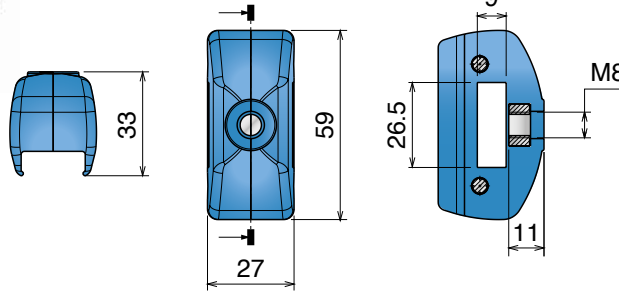
3009-326

Componenti / Conveyor components / Komponenten

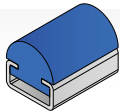
3009 Morsetto singolo per guida laterale Single clamp for side guide / Einfachklemme für Seitenführung

Used with Part 351 Pag 209 and Part 352/3004/3005 Pag 210 (Thread M8)

Part	Article-Nr.	ØA	Colour
3009	300902	without pin	Hygienic blue
3009	300901	without pin	Black

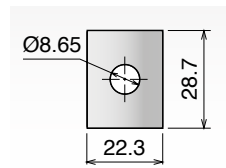
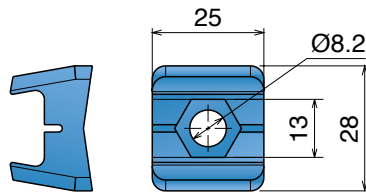


Used with
PART 134
Pag 132

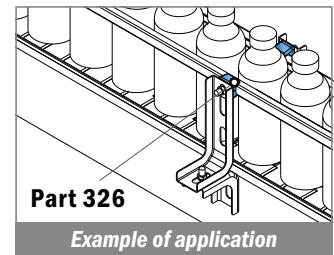


326 Morsetto singolo per guida laterale conica Single clamp for conical side guide / Einfachklemme für konische Seitenführung

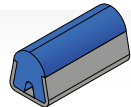
Part	Article-Nr.	Colour
326	32651	Hygienic blue
326	32601	Black



Reinforced plate 33201
3 mm thickness

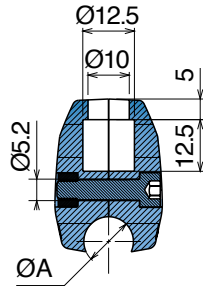
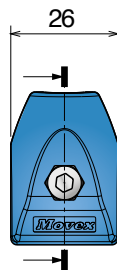


Used with
Guide rail
Pag 99

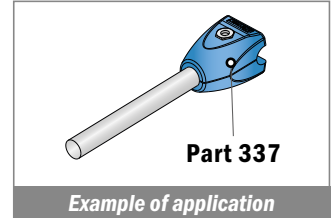


337 Morsetto singolo per tondino Single clamp for round bar / Einfachklemme für Rund Profil

Used with Part 349/350 Pag 209 and Part 356 Pag 212

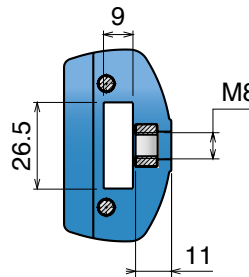
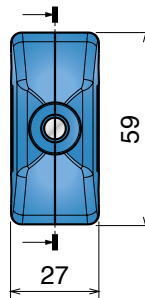
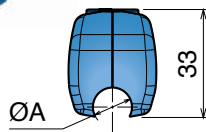


Part	Article-Nr.	ØA	Colour
337	33751	10	Hygienic blue
337	33752	12	Hygienic blue
337	33701	10	Black
337	33702	12	Black

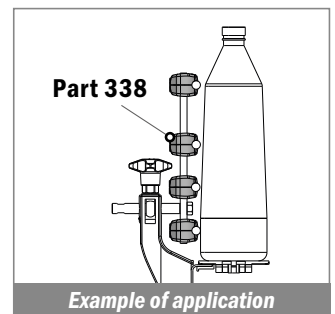


338 Morsetto singolo per tondino Single clamp for round bar / Einfachklemme für Rund Profil

Used with Part 351 Pag 209 and Part 352/3004/3005 Pag 210 (Thread M8)

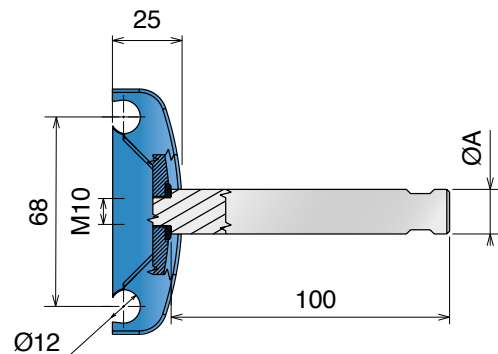
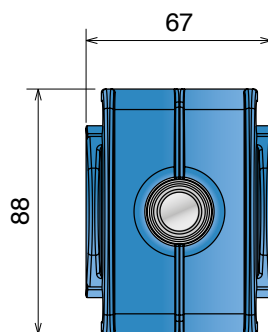
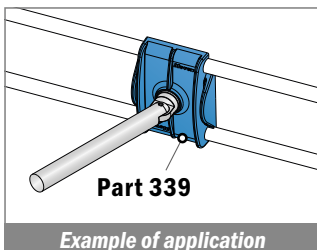


Part	Article-Nr.	ØA	Colour
338	33851	10	Hygienic blue
338	33852	12	Hygienic blue
338	33801	10	Black
338	33802	12	Black



339 Morsetto doppio per tondino Double clamp for round bar / Doppelklemme für Rund Profil

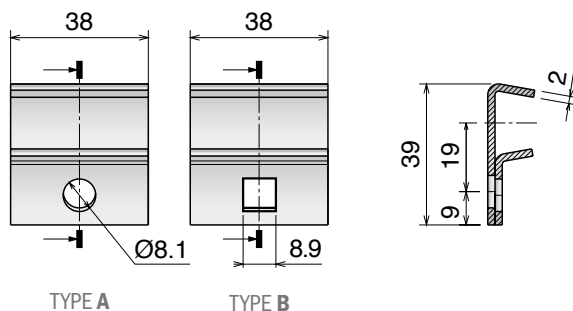
Used with Part 351 Pag 209 and Part 352 Pag 210 (Thread M10)



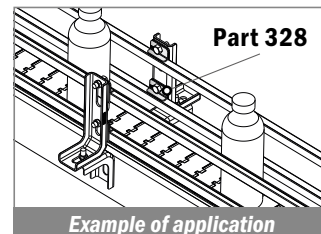
Part	Article-Nr.	ØA	Colour
339	33951	without pin	Hygienic blue
339	33952	12	Hygienic blue
339	33954	14	Hygienic blue
339	33953	16	Hygienic blue
339	33901	without pin	Black
339	33902	12	Black
339	33904	14	Black
339	33903	16	Black

328 Morsetto singolo per guida laterale conica Single clamp for conical side guide / Einfachklemme für konische Seitenführung

Used with Guide rail Pag 99



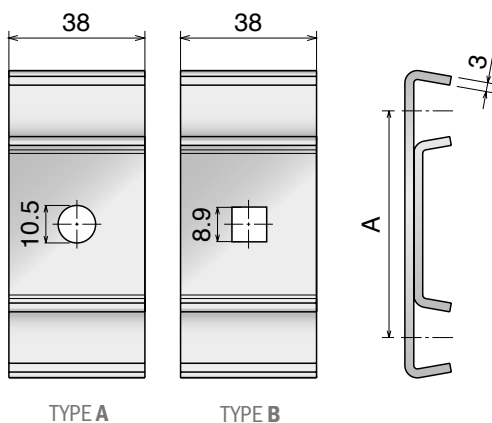
Part	Article-Nr.	Material	Type
328	32801	AISI 304	A
328	32802	AISI 304	B
328	32811	AISI 316	A



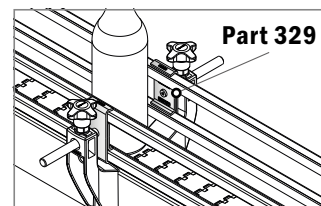
Example of application

329 Morsetto doppio per guida laterale conica Double clamp for conical side guide / Doppelklemme für konische Seitenführung

Used with Guide rail Pag 99



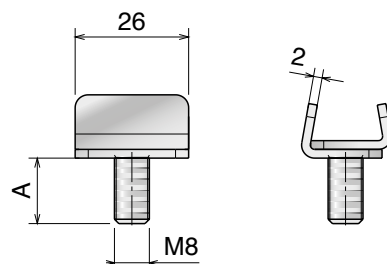
Part	Article-Nr.	A	Type
329	32904	50,0	A
329	32901	63,5	A
329	32902	82,55	A
329	32903	95,25	A
329	32911	63,5	B
329	32912	82,55	B
329	32913	95,25	B



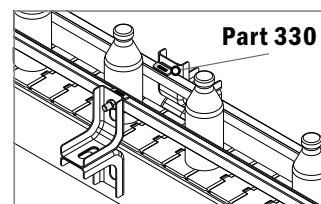
Example of application

330 Morsetto singolo per guida laterale conica Single clamp for conical side guide / Einfachklemme für konische Seitenführung

Used with Guide rail Pag 99



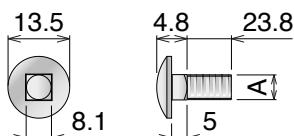
Part	Article-Nr.	A
330	33001	15
330	33003	20
330	33002	25
330	33004	30



Example of application

362 Vite con quadro sotto testa sferica Bolt with round head and square neck / Flachrundschraube mit Vierkantansatz

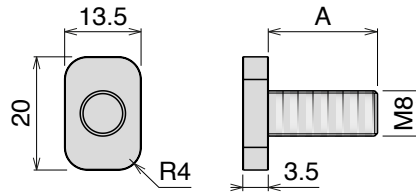
Used with Part 328 and Part 329 (See above)



Part	Article-Nr.	A
362	36271	M8

362 Vite a "T" T-bolt / T-Schraube

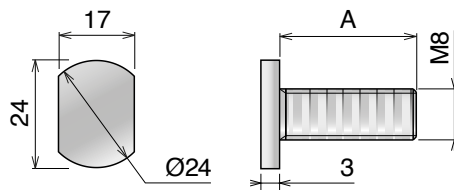
Used with Part 154/155/159/164/165/358/359/360/361/1055/1088/1089



Part	Article-Nr.	A
362	36201	17
362	36202	22
362	36203	27

3629 Vite a "T" T-bolt / T-Schraube

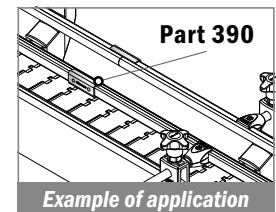
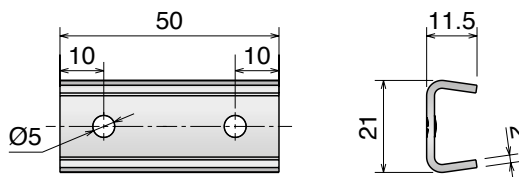
Used with Part 112



Part	Article-Nr.	A
3629	362901	17
3629	362902	22
3629	362903	27

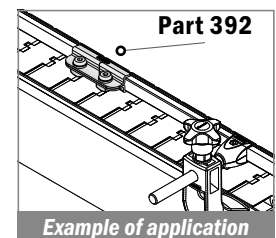
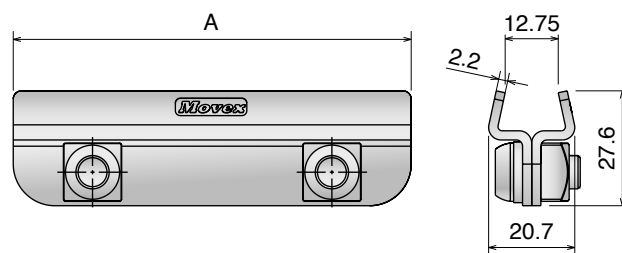
390 Elemento di giunzione Connecting element / Verbinder

Used with Guide rail Pag 99



392 Elemento di connessione Connecting clamp / Verbindungsklemme

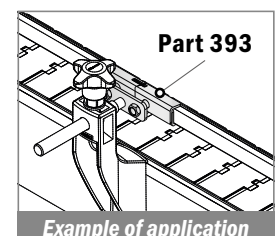
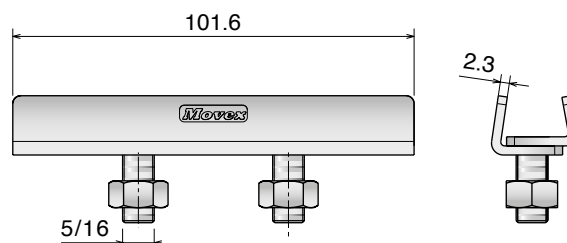
Used with Guide rail Pag 99



Part	Article-Nr.	A
392	39201	75
392	39202	100
392	39203	150

393 Elemento di connessione Connecting clamp / Verbindungsklemme

Used with Guide rail Pag 99



Part	Article-Nr.
393	39302

Materiale / Material / Materialien: Acciaio inox/Stainless steel/Edelstahl
 Morsetto: PA/Clamp: PA/Klemme: PA
 Vite, perno e rondella: Acciaio inox/Screw, pin and washer: Stainless steel/Schraube, Bolzen und Scheibe: Edelstahl
 Dado: ottone nichelato/Nut: nickel plated brass/Mutter: Messing vernickelt

341 Morsetto Clamp / Klemme

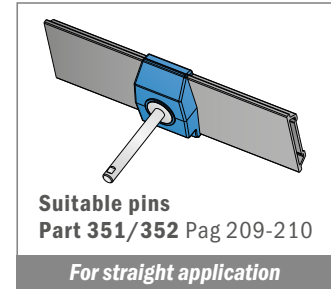
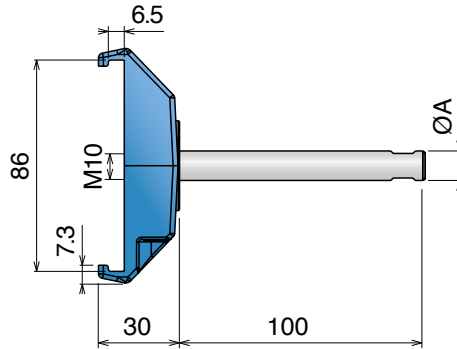
Versions without pins don't include nuts and washer too

Part	Article-Nr.	ØA	Colour
341	34151	without pin	Hygienic blue
341	34152	12	Hygienic blue
341	34153	16	Hygienic blue
341	34101	without pin	Black
341	34102	12	Black
341	34103	16	Black



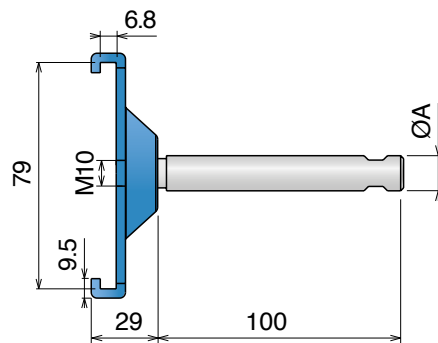
TYPE A

Used with Part 136 Pag 150

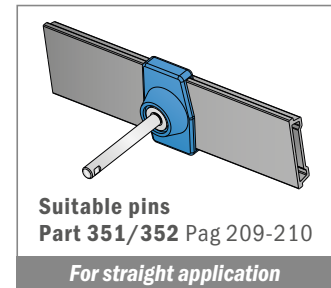


TYPE B

Used with Part 135 Pag 150

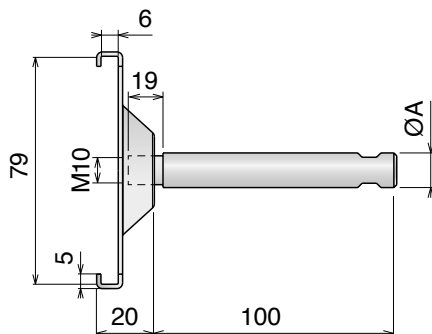


Part	Article-Nr.	ØA	Colour
341	34161	without pin	Hygienic blue
341	34162	12	Hygienic blue
341	34163	16	Hygienic blue
341	34111	without pin	Black
341	34112	12	Black
341	34113	16	Black



3310 Morsetto acciaio inox Clamp, stainless steel / Klemme, Edelstahl

Used with Part 135 Pag 150 - Suitable pins Part 351/352 Pag 209-210

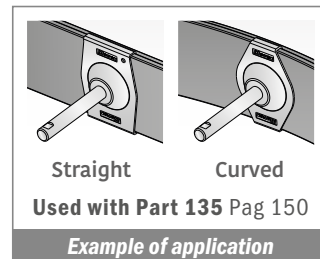


For straight application

Part	Article-Nr.	ØA
3310	33101	without pin
3310	33102	12
3310	33103	16

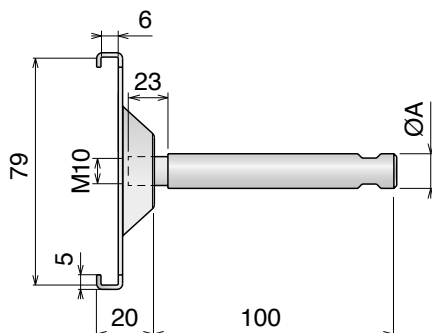
For curved application

Part	Article-Nr.	ØA
3310	33105	without pin
3310	33106	12
3310	33107	16



3311 Morsetto acciaio inox Clamp, stainless steel / Klemme, Edelstahl

Suitable pins Part 3004/3005 Pag 210

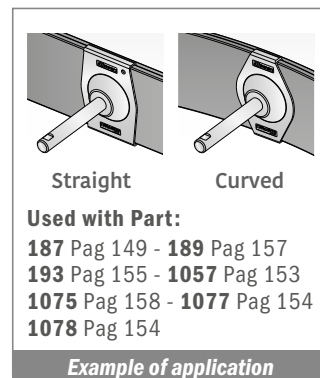


For straight application

Part	Article-Nr.	ØA
3311	33112	12
3311	33113	16

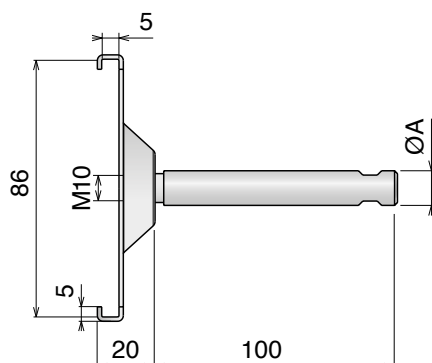
For curved application

Part	Article-Nr.	ØA
3311	33116	12
3311	33117	16

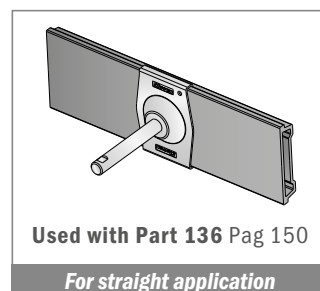


345 Morsetto acciaio inox Clamp, stainless steel / Klemme, Edelstahl

Suitable pins Part 351/352 Pag 209-210



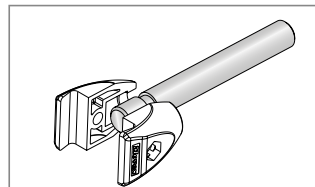
Part	Article-Nr.	ØA
345	34501	without pin
345	34502	12
345	34503	16



349 Perno Rod / Bolzen



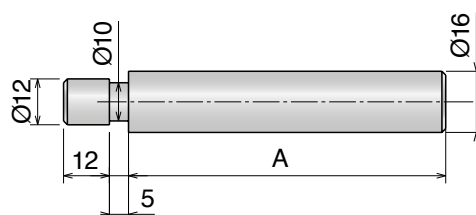
Part	Article-Nr.	A
349	34901	80
349	34902	100
349	34903	150



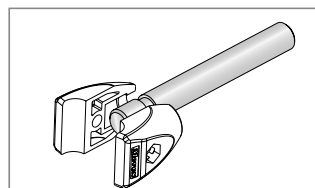
Used with Part:
324 Pag 202 - 337 Pag 204

Example of application

350 Perno Rod / Bolzen



Part	Article-Nr.	A
350	35001	80
350	35002	100
350	35003	150



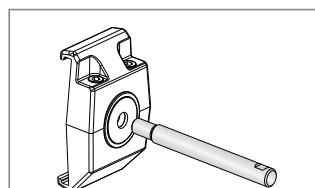
Used with Part:
324 Pag 202 - 337 Pag 204

Example of application

351 Perno Rod / Bolzen



Part	Article-Nr.	A	B
351	35101	80	M10
351	35102	100	M10
351	35103	150	M10
351	35151	80	M8
351	35152	100	M8
351	35153	150	M8



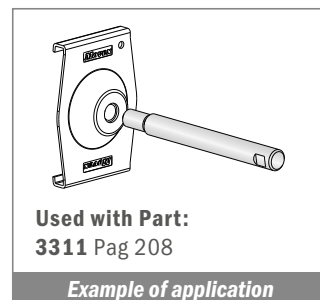
Used with Part:
341 Pag 207 - 345 Pag 208
3310 Pag 208

Example of application

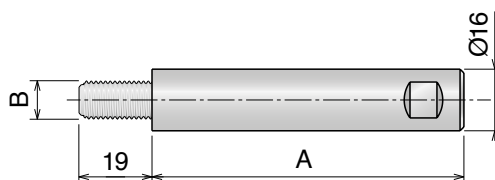
3004 Perno Rod / Bolzen



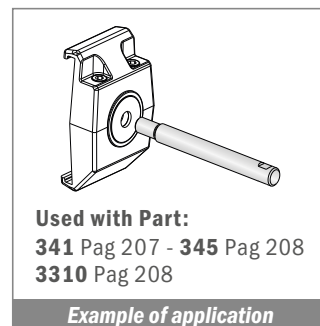
Part	Article-Nr.	A	B
3004	300401	80	M10
3004	300402	100	M10
3004	300403	150	M10
3004	300451	80	M8
3004	300452	100	M8
3004	300453	150	M8



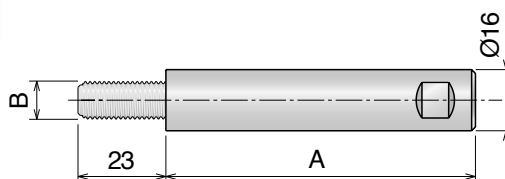
352 Perno Rod / Bolzen



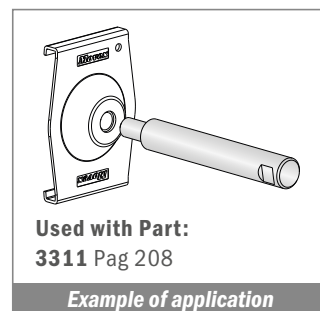
Part	Article-Nr.	A	B
352	35201	80	M10
352	35202	100	M10
352	35203	150	M10
352	35251	80	M8
352	35252	100	M8
352	35253	150	M8



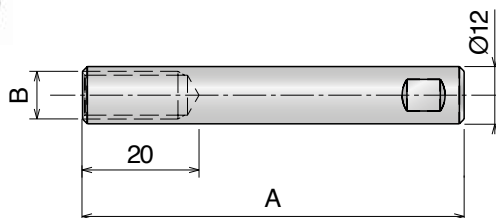
3005 Perno Rod / Bolzen



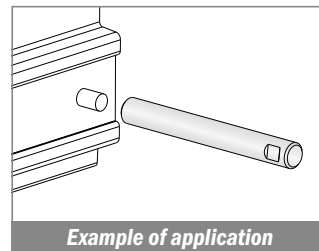
Part	Article-Nr.	A	B
3005	300501	80	M10
3005	300502	100	M10
3005	300503	150	M10
3005	300551	80	M8
3005	300552	100	M8
3005	300553	150	M8



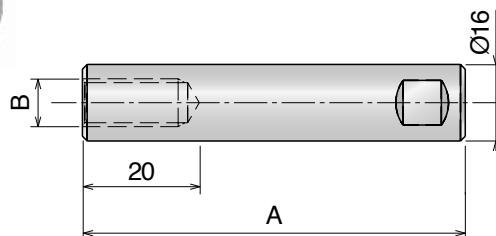
347 Perno filettato femmina Rod / Bolzen



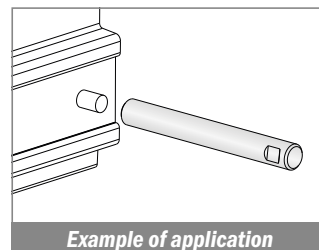
Part	Article-Nr.	A	B
347	34701	80	M10
347	34702	100	M10
347	34703	150	M10
347	34751	80	M8
347	34752	100	M8
347	34753	150	M8



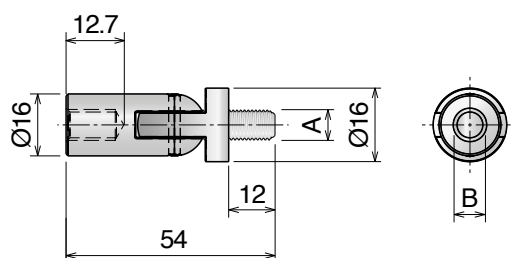
348 Perno filettato femmina Rod / Bolzen



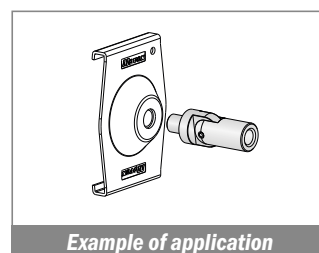
Part	Article-Nr.	A	B
348	34801	80	M10
348	34802	100	M10
348	34803	150	M10
348	34851	80	M8
348	34852	100	M8
348	34853	150	M8



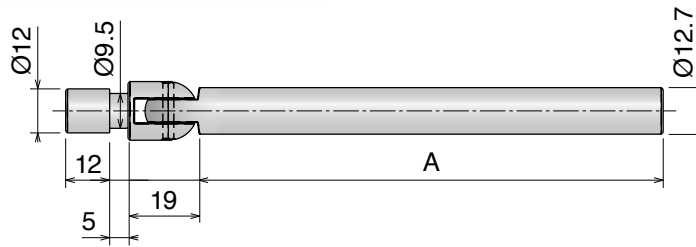
346 Snodo Joint rod adapter / Gelenk



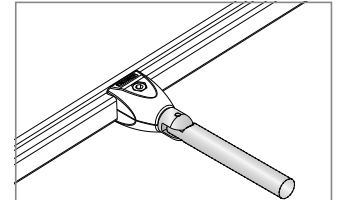
Part	Article-Nr.	A	B
346	34699	M8	M8
346	34602	M8	M10
346	34603	M10	M10



356 Perno snodato Jointed rods / Gelenkbolzen



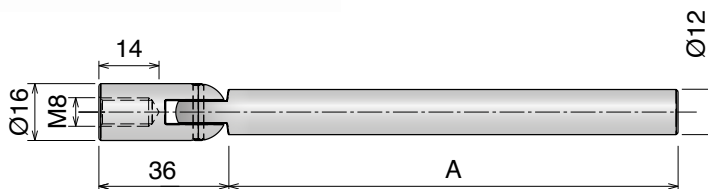
Part	Article-Nr.	A
356	35601	80
356	35602	100
356	35603	150



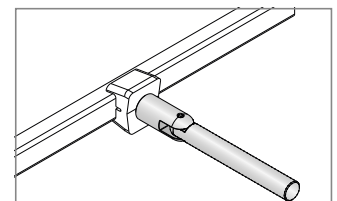
Used with Part:
324 Pag 202
337 Pag 204

Example of application

357 Perno snodato Jointed rods / Gelenkbolzen

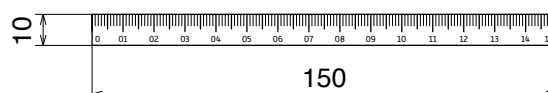
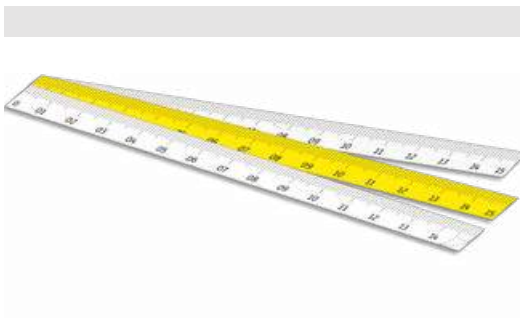


Part	Article-Nr.	A
357	35701	80
357	35702	100
357	35703	150

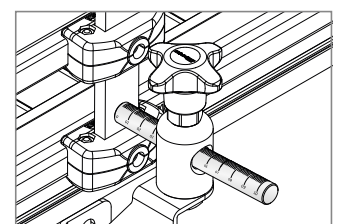


Example of application

3099 Righelli adesivi Sticker rulers / Aufkleber Lineale

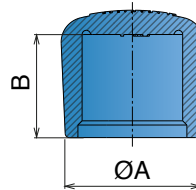
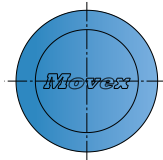


Part	Article-Nr.	Color	Sheet
3099	309999	White	26 pcs
3099	309999T	Transparent	26 pcs
3099	309999Y	Yellow	26 pcs



Example of application

3011 Cappucci terminali End caps / Abdeckstopfen

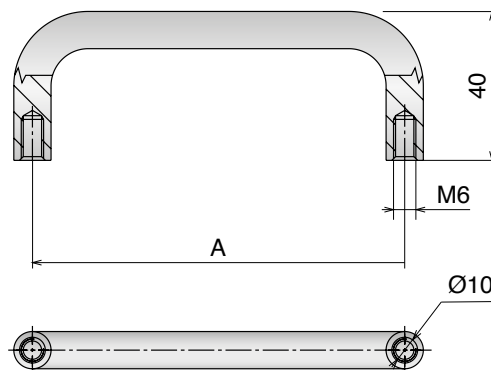
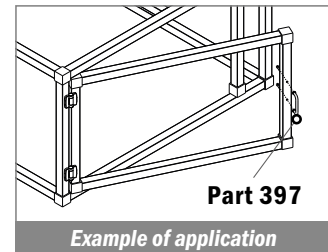


Part	Article-Nr.	ØA	B	Colour	Box
3011	301101C	Ø12	12,3	Hygienic blue	100 pcs
3011	301102C	Ø14	12,8	Hygienic blue	100 pcs
3011	301103C	Ø16	16,4	Hygienic blue	100 pcs
3011	301104C	Ø20	20,1	Hygienic blue	100 pcs
3011	301101A	Ø12	12,3	Black	100 pcs
3011	301102A	Ø14	12,8	Black	100 pcs
3011	301103A	Ø16	16,4	Black	100 pcs
3011	301104A	Ø20	20,1	Black	100 pcs
3011	301101B	Ø12	12,3	Yellow	100 pcs
3011	301102B	Ø14	12,8	Yellow	100 pcs
3011	301103B	Ø16	16,4	Yellow	100 pcs
3011	301104B	Ø20	20,1	Yellow	100 pcs

397 Maniglia acciaio inox Stainless Steel handle / Handgriffe Edelstahl

Stainless Steel | AISI 304

Part	Article-Nr.	A
397	39701	95
397	39702	100
397	39703	110



Materiale / Material / Materialien:

Maniglia: Poliammide/Handle: Polyamide/Griff: Polyamid

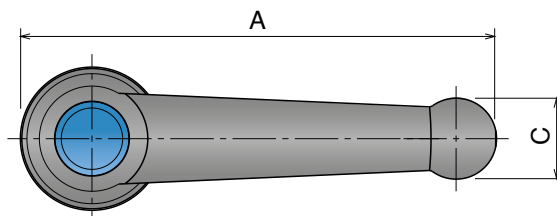
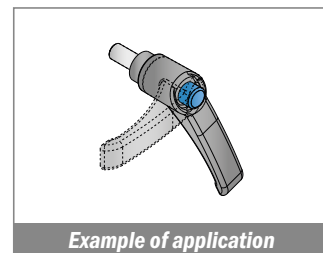
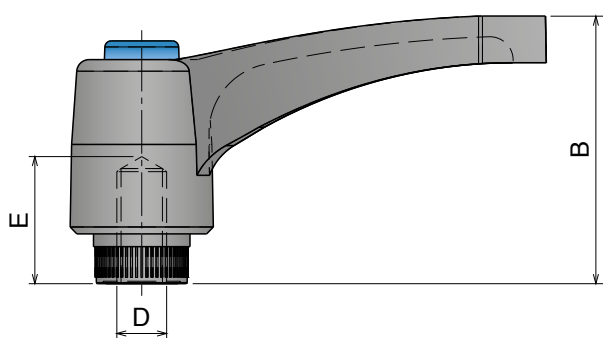
Inserto femmina: Ottone nichelato/Female insert: Nickel plated brass/Einsatz: Messing vernickelt

Inserto maschio: Acciaio inox/Male insert: Stainless steel/Aussengewinde: Edelstahl

374 Maniglia a ripresa Adjustable handle / Ratschenhebel



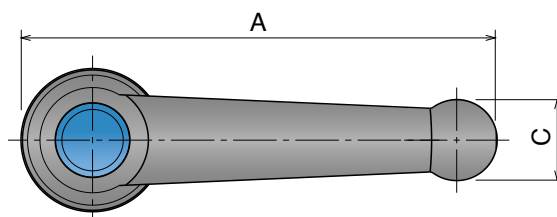
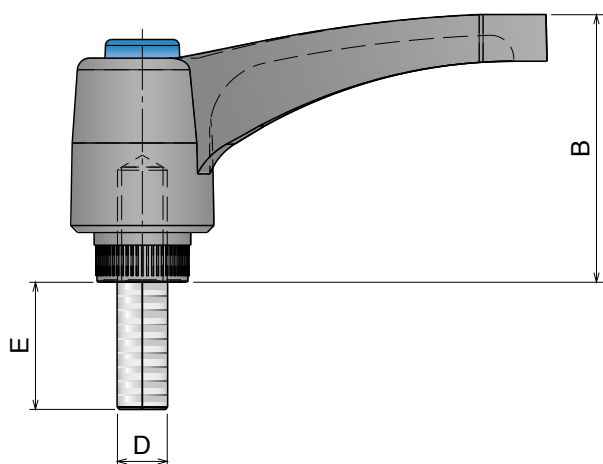
Part	Article-Nr.	A	B	C	D	E	Box
374	37453	51	33	9	M5	12	20 pcs
374	37454	51	33	9	M6	12	20 pcs
374	37455	63	41	12	M6	18	20 pcs
374	37456	63	41	12	M8	18	20 pcs
374	37457	63	41	12	M10	18	20 pcs
374	37451	76.5	43	13	M8	18	20 pcs
374	37459	76.5	43	13	M10	18	20 pcs
374	37452	93.5	54	15.5	M10	22	20 pcs
374	37458	93.5	54	15.5	M12	22	20 pcs



375 Maniglia a ripresa Adjustable handle / Ratschenhebel



Part	Article-Nr.	A	B	C	D	E	Box
375	37558	51	33	9	M5	15	20 pcs
375	37559	51	33	9	M6	15	20 pcs
375	37560	63	41	12	M8	15	20 pcs
375	37561	63	41	12	M8	20	20 pcs
375	37565	63	41	12	M8	55	20 pcs
375	37551	76.5	43	13	M8	20	20 pcs
375	37562	76.5	43	13	M8	25	20 pcs
375	37552	76.5	43	13	M10	25	20 pcs
375	37563	93.5	54	15.5	M10	20	20 pcs
375	37564	93.5	54	15.5	M10	25	20 pcs



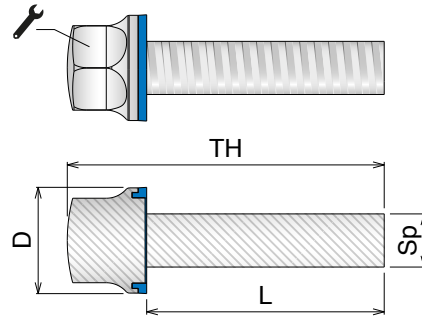
903 Vite igienica certificata ed igienica Certified hygienic screw / Zertifiziert hygienische Schraube



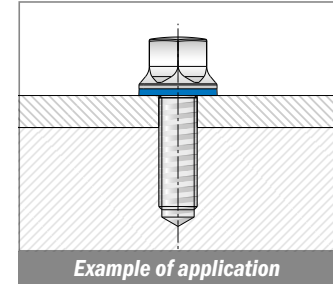
Main features:

- Stainless steel AISI 304
- Blue seal for hermetic closure

Art-Nr.	Sp	D	TH	L		Box
903255	M8	16	58	45	13	10 pcs
903253	M10	20	60	45	16	10 pcs
903251	M12	24,5	78	60	18	10 pcs



CERTIFIED PRODUCTS
ASK FOR CERTIFICATION:
certificate@movexii.com



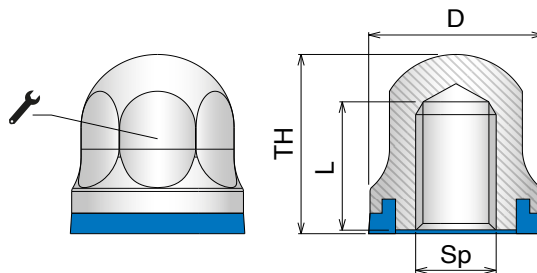
903 Dado certificato ed igienico Certified hygienic nut / Zertifiziert hygienische Hutmutter



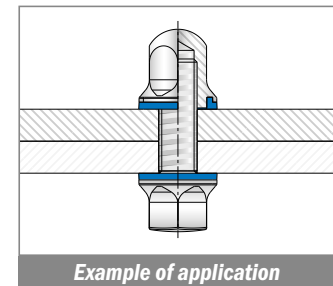
Main features:

- Stainless steel AISI 304
- Blue seal for hermetic closure

Art-Nr.	Sp	D	TH	L		Box
903235	M6	13	14	10	10	10 pcs
903236	M8	16	17	12	13	10 pcs
903237	M10	20	20,5	15	16	10 pcs
903238	M12	24,5	25	18	18	10 pcs
903239	M16	32	32	23	24	10 pcs
903240	M20	39	38	27	30	10 pcs



CERTIFIED PRODUCTS
ASK FOR CERTIFICATION:
certificate@movexii.com



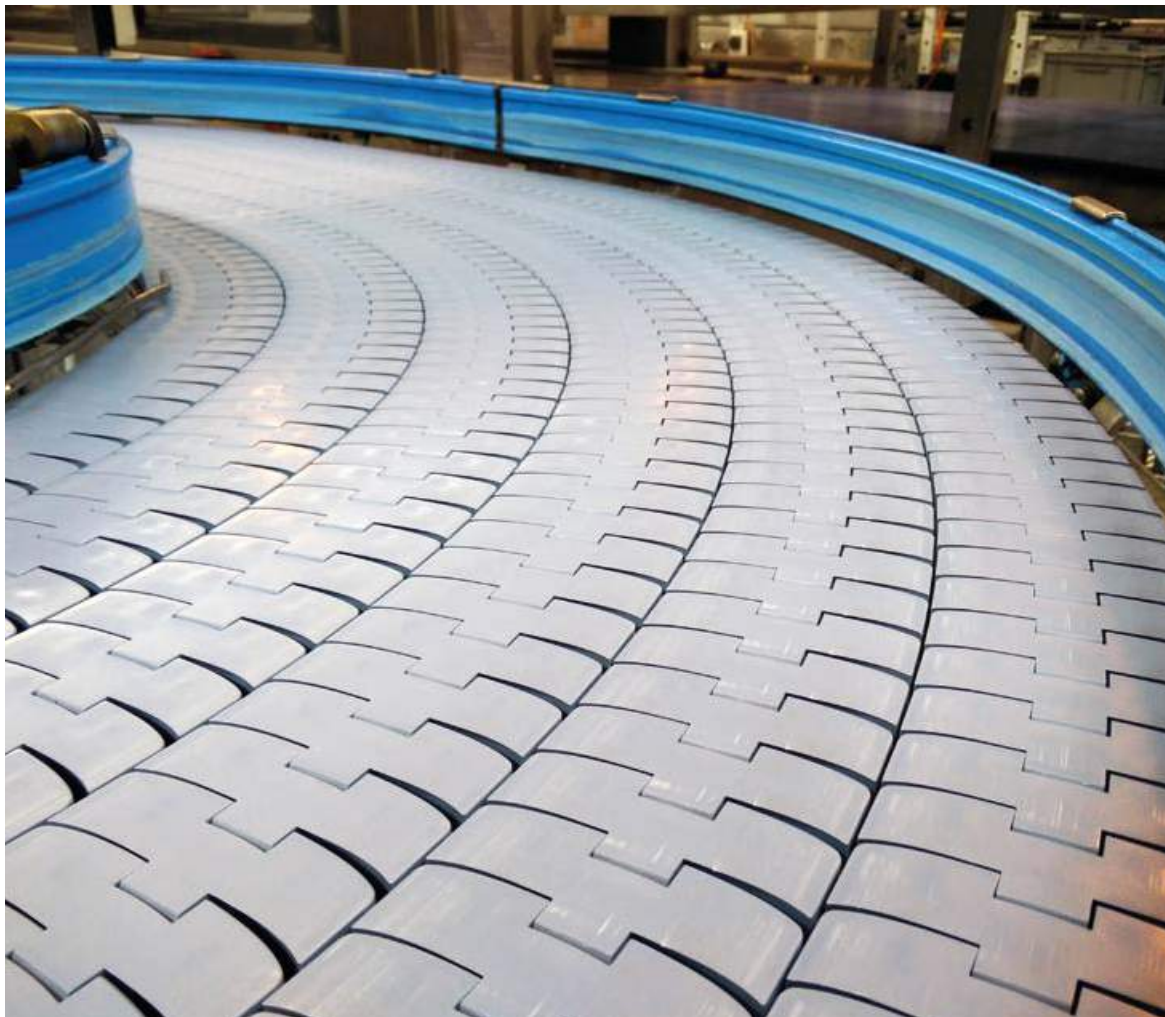
998 Dado Nut / Sechskantmutter

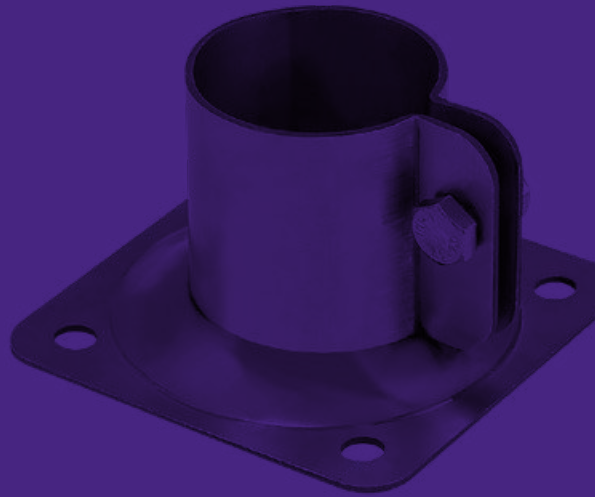


Main features:

- Stainless steel (SS) or Zinc plated steel (FeZn)
- UNI 5588 - ISO 4032 - DIN 934

Art-Nr.	Art-Nr.	Sp	Box
SS	FeZn		
99801	99801Z	M10	50 pcs
99802	99802Z	M12	50 pcs
99804	99804Z	M16	10 pcs
99805	99805Z	M20	10 pcs
99806	99806Z	M24	5 pcs
99807	99807Z	M30	5 pcs
99808	99808Z	M36	5 pcs





401 Pag 218	402 Pag 218	403 Pag 219	404 Pag 219	407 Pag 220	408 Pag 220
409 Pag 221	499 Pag 221	410 Pag 222	411 Pag 222	426 Pag 223	432 Pag 223
427 Pag 224	343 Pag 224	425 Pag 225	413 Pag 225	433 Pag 226	414 Pag 226
419 Pag 227	420 Pag 227	415 Pag 228	416 Pag 229		

This catalog contains only a limited selection of all the products available at Movex S.p.A.
For a complete overview, please visit our website or contact your sales representative.

401-402

Componenti di supporto / Conveyor support components / Stützelemente

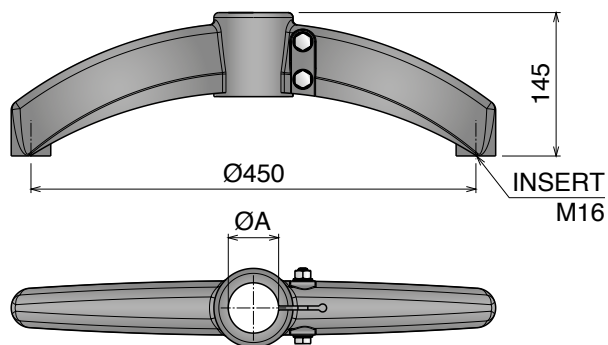
Materiale / Material / Materialien:

Basi: Poliammide/Base: Polyamide/Halter: Polyamid

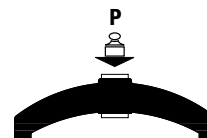
Viti e rondelle: Acciaio inox/Screws and washers: Stainless steel/Schrauben und Scheibe: Edelstahl
Inserti e dadi: ottone nichelato/Inserts nuts: nickel plated brass/Mutter: Messing vernickelt

401 Base a due braccia Bipod / Zweibeinhalter

Fasteners included | Max recommended tightening torque: 25 N mt



Part	Article-Nr.	ØA
401	40101	48,3
401	40105	50,9
401	40102	60,3



Tube sliding load resistance

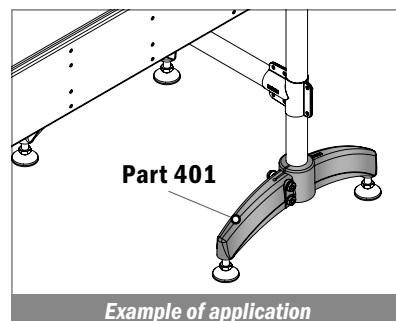
$P = 8000 \text{ N}$

Max applicable load

$P = 9600 \text{ N}$

Bolts tightening torque

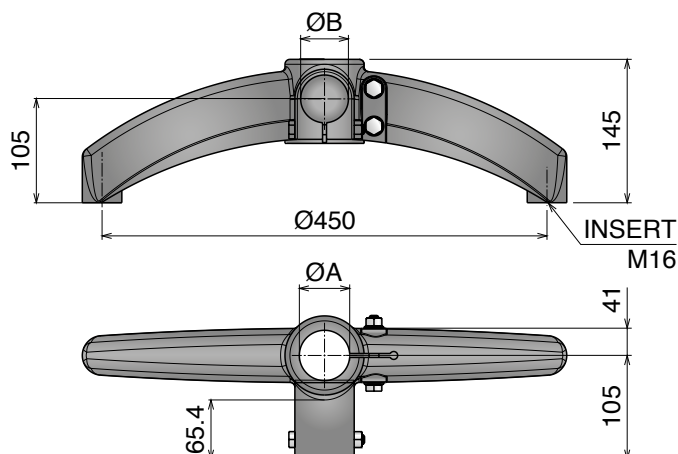
25 N.m



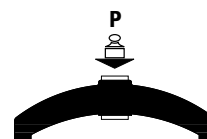
Example of application

402 Base a due braccia 180° con giunto Bipod 180° with connector / Zweibeinhalter 180° m. Verbinder

Fasteners included | Max recommended tightening torque: 25 N mt



Part	Article-Nr.	ØA	ØB
402	40201	48,3	48,3
402	40205	50,9	48,3
402	40202	60,3	48,3
402	40203	48,3	42,4
402	40206	50,9	42,4
402	40204	60,3	42,4



Tube sliding load resistance

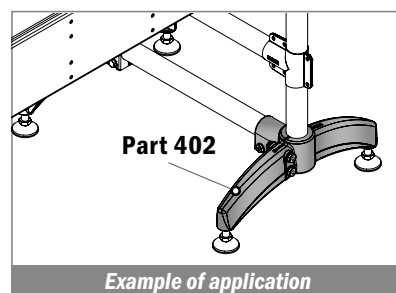
$P = 8000 \text{ N}$

Max applicable load

$P = 8000 \text{ N}$

Bolts tightening torque

25 N.m



Example of application

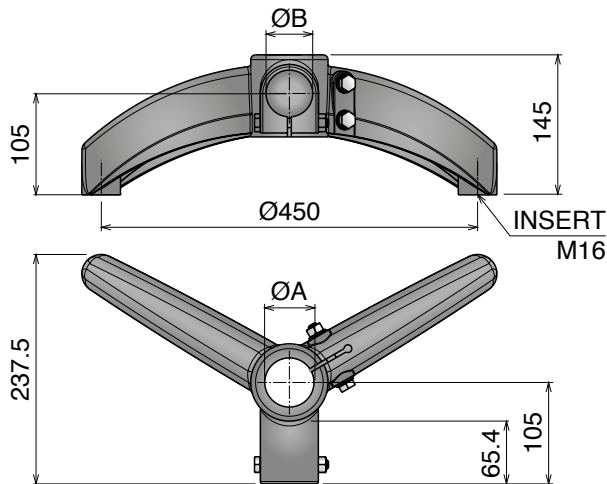
Materiale / Material / Materialien:

Basi: Poliammide/Base: Polyamide/Halter: Polyamid

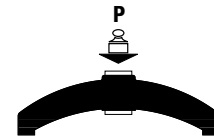
Viti e rondelle: Acciaio inox/Screws and washers: Stainless steel/Schrauben und Scheibe: Edelstahl
 Inserti e dadi: ottone nichelato/Inserts nuts: nickel plated brass/Mutter: Messing vernickelt

403 Base a due braccia 120° con giunto Bipod 120° with connector / Zweibeinhalter 120° m. Verbinder

Fasteners included | Max recommended tightening torque: 25 N mt



Part	Article-Nr.	ØA	ØB
403	40301	48,3	48,3
403	40305	50,9	48,3
403	40302	60,3	48,3
403	40303	48,3	42,4
403	40306	50,9	42,4
403	40304	60,3	42,4



Tube sliding load resistance

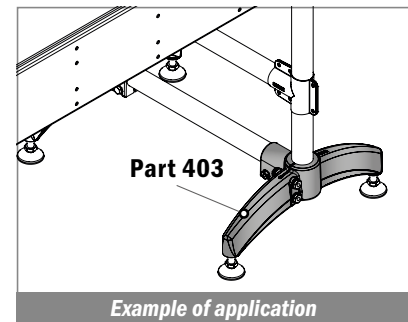
$P = 8000 \text{ N}$

Max applicable load

$P = 8000 \text{ N}$

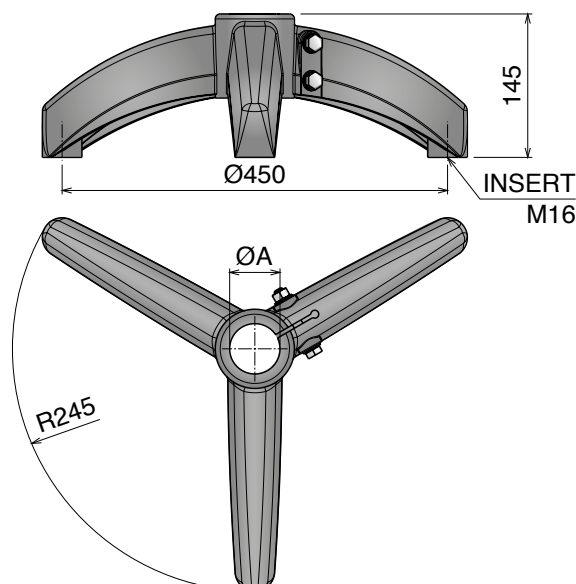
Bolts tightening torque

25 N.m

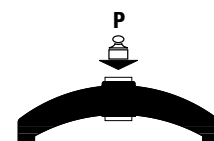


404 Base a tre braccia Tripod / Dreibeinhalter

Fasteners included | Max recommended tightening torque: 25 N mt



Part	Article-Nr.	ØA
404	40401	48,3
404	40405	50,9
404	40402	60,3



Tube sliding load resistance

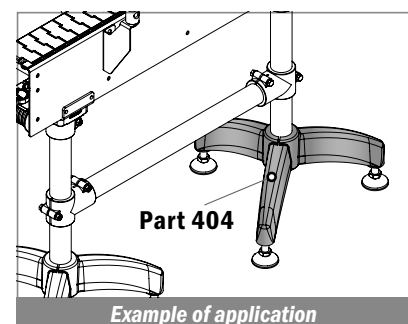
$P = 8000 \text{ N}$

Max applicable load

$P = 10000 \text{ N}$

Bolts tightening torque

25 N.m



407-408

Componenti di supporto / Conveyor support components / Stützelemente

Materiale / Material / Materialien:

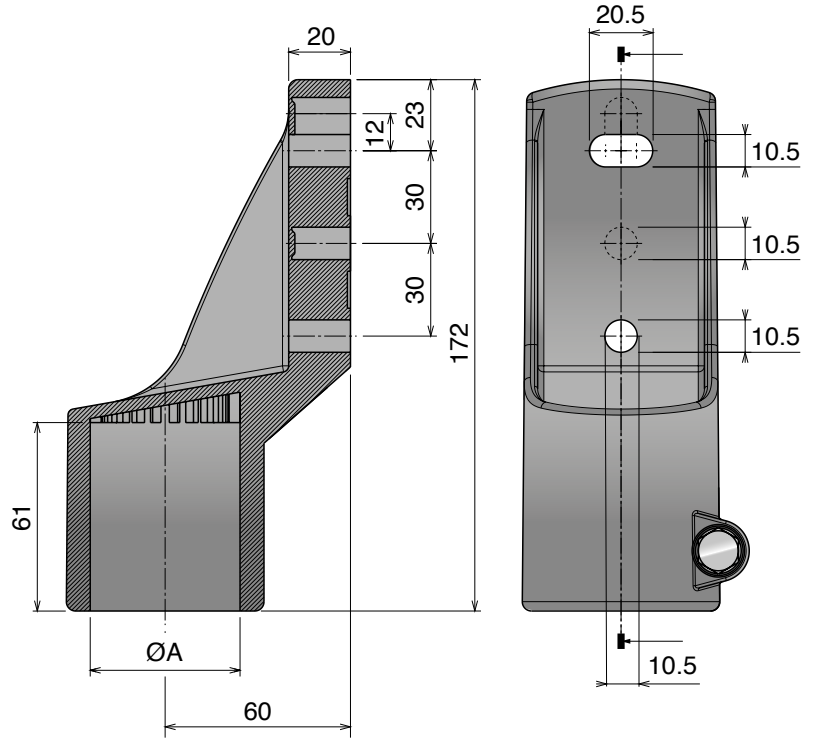
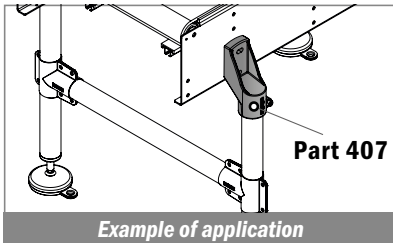
Testata: Poliammide / Side bracket: Polyamide / Halter: Polyamid

Viti e rondelle: Acciaio inox / Screws and washers: Stainless steel / Schrauben und Scheibe: Edelstahl
Dadi: ottone nichelato / Nuts: nickel plated brass / Mutter: Messing vernickelt

407 Testata laterale Side mounting top bracket / seitlicher Stützkopf

Max recommended tightening torque: 20 N mt

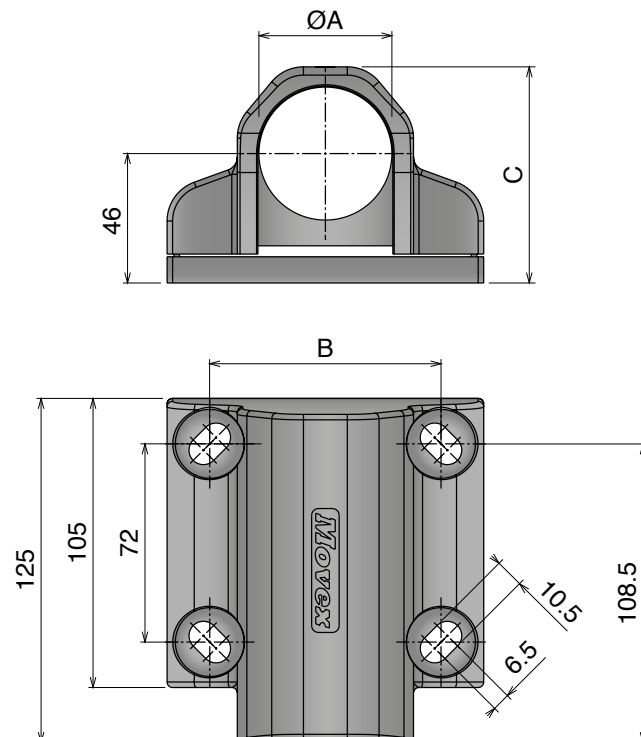
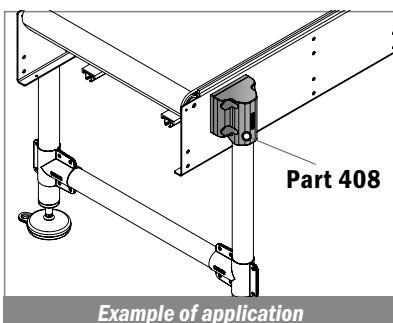
Part	Article-Nr.	ØA
407	40701	48,3
407	40702	50,9



408 Testata laterale Side mounting top bracket / seitlicher Stützkopf

Fasteners not included | Max recommended tightening torque: 25 N mt

Part	Article-Nr.	ØA	B	C
408	40801	48,3	84	72,5
408	40802	50,9	94	83,5
408	40803	60,3	94	83,5



Materiale / Material / Materialien:

Testata: Acciaio inox / Support head: stainless steel / Halter: Edelstahl
 Viti e rondelle: Acciaio inox / Screws and washers: Stainless steel / Mutter: Edelstahl

409-499

Componenti di supporto / Conveyor support components / Stützelemente

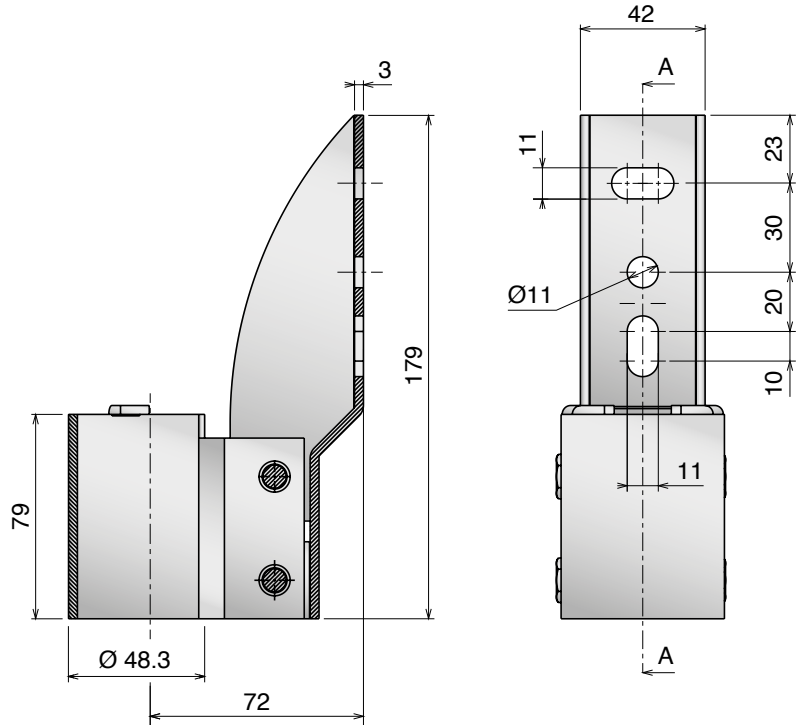
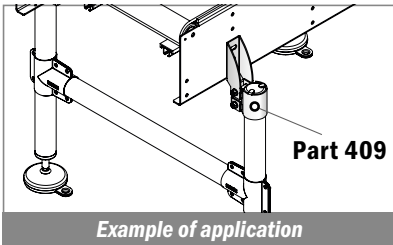
409 Testata laterale
 Side mounting top bracket / seitlicher Stützkopf

Stainless Steel | AISI 304

Fasteners not included

Part Article-Nr.

409 40901



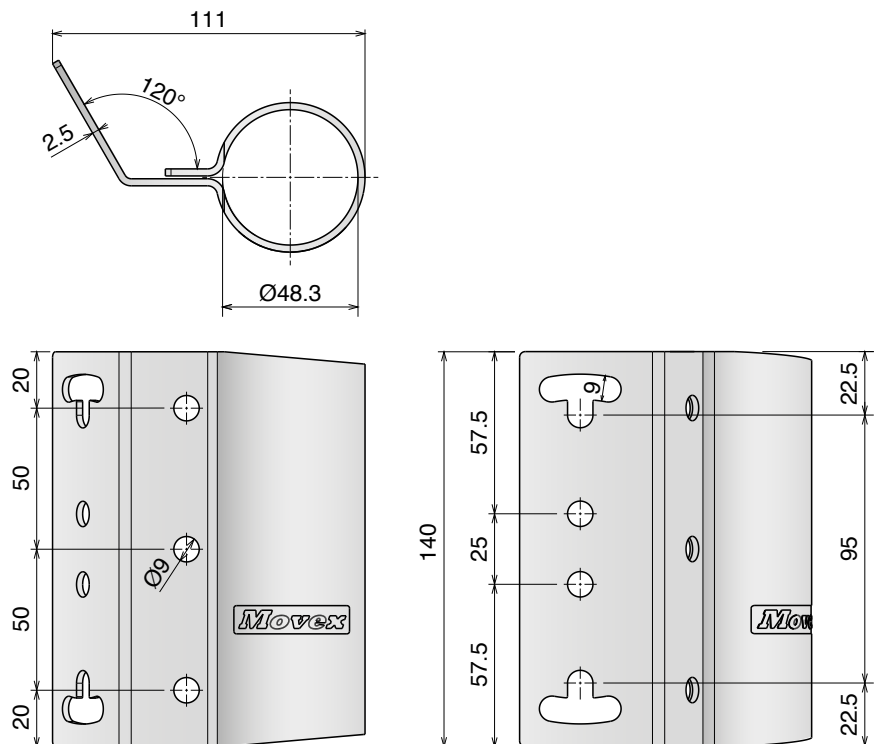
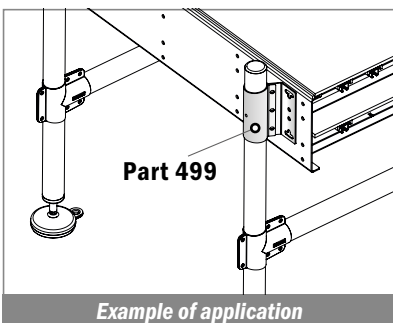
499 Testata laterale
 Side mounting top bracket / seitlicher Stützkopf

Stainless Steel | AISI 304

Fasteners not included

Part Article-Nr.

499 49995



410-411

Componenti di supporto / Conveyor support components / Stützelemente

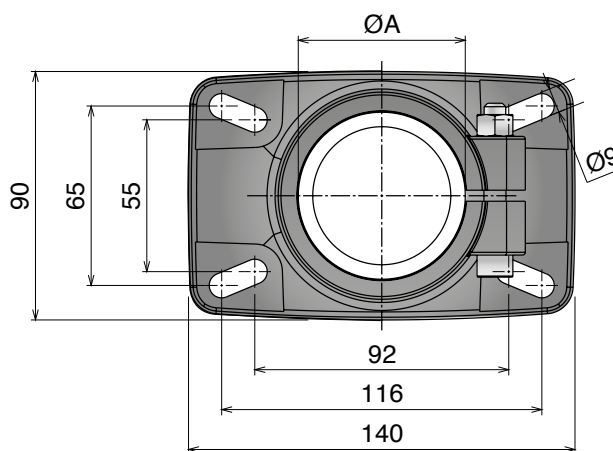
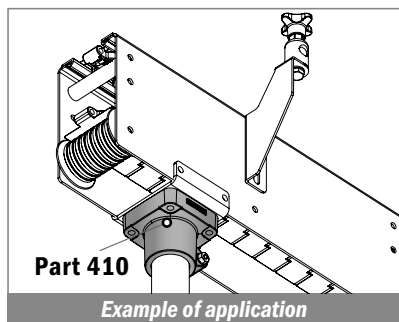
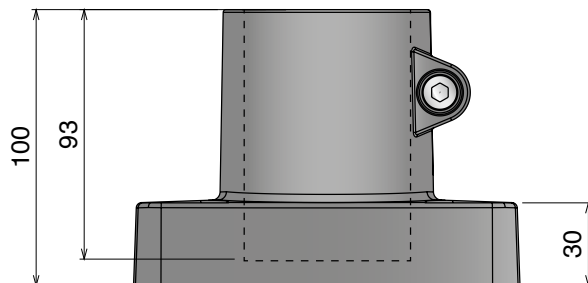
Materiale / Material / Materialien:

Testata: Poliammide / Support head: Polyamide / Halter: Polyamid
Viti e rondelle e dado: Acciaio inox / Screws, washers and nut: Stainless steel / Schrauben, Scheibe und Mutter: Edelstahl

410 Testata d'appoggio Support head / Stützkopf

Max recommended tightening torque: 20 N mt

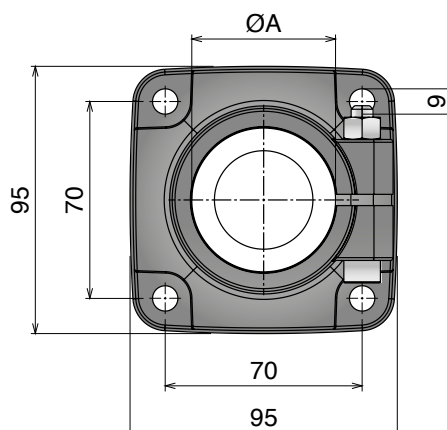
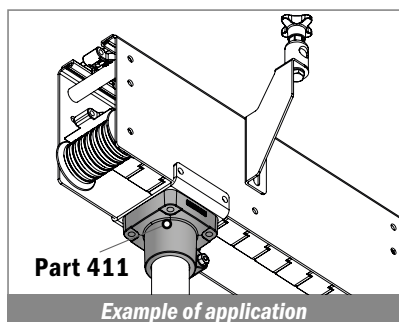
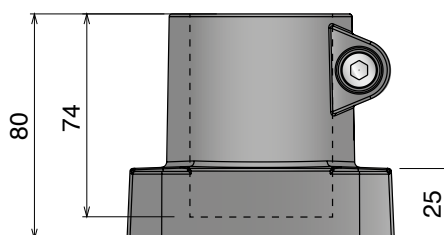
Part	Article-Nr.	ØA
410	41001	48,3
410	41002	60,3



411 Testata d'appoggio Support head / Stützkopf

Max recommended tightening torque: 20 N mt

Part	Article-Nr.	ØA
411	41101	48,3
411	41102	50,9



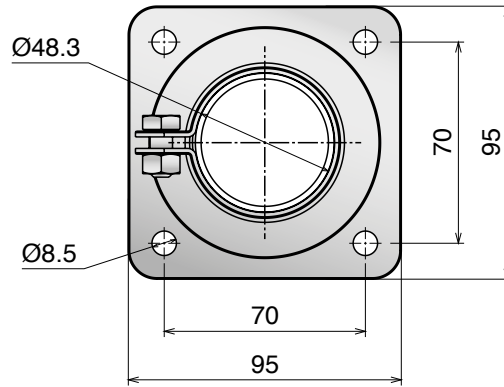
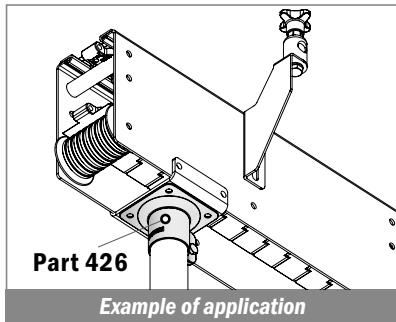
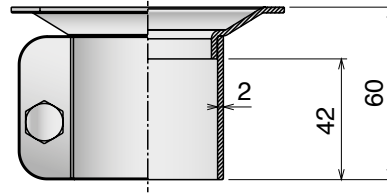
426 Testata d'appoggio Support head / Stützkopf

Stainless Steel | AISI 304

Screw included

Part Article-Nr.

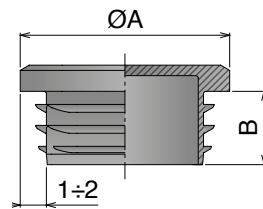
426 42601



432 Tappo per tubo metrico tondo e quadro Plug for round and square metric tube / Runde und Quadratische Lamellenstopfen für metrische Rohre

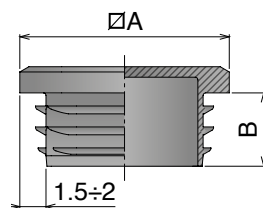


Part	Article-Nr.	ØA	B	Type
432	43202	20	11	A
432	43203	25	14	A
432	43204	30	14	A
432	43205	35	14	A
432	43206	40	14	A
432	43201	48	14	A
432	43207	50	17	A

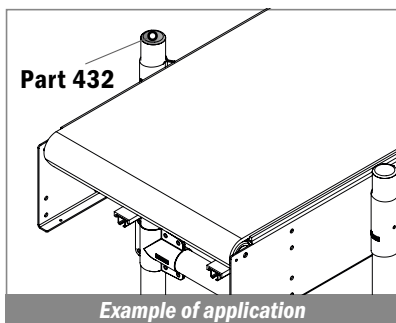


TYPE A - Rounded

Part	Article-Nr.	∇A	B	Type
432	43252	20 x 20	11	B
432	43253	25 x 25	14	B
432	43254	30 x 30	14	B
432	43255	35 x 35	14	B
432	43256	40 x 40	14	B
432	43251	50 x 50	14	B
432	43257	60 x 60	14	B



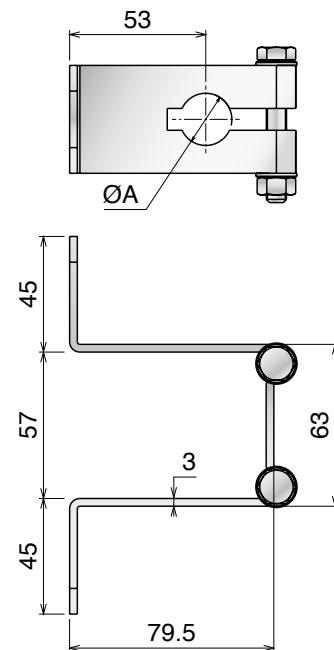
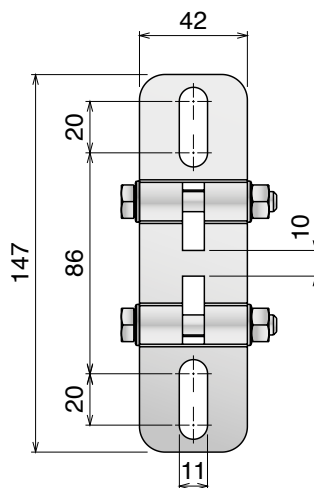
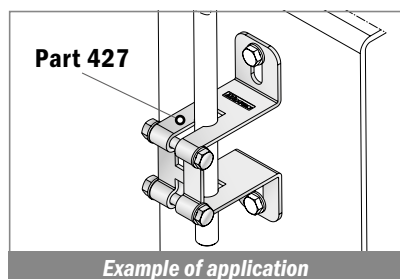
TYPE B - Square



427 Supporto laterale Side bracket / Seitenhalter

Stainless Steel | AISI 304

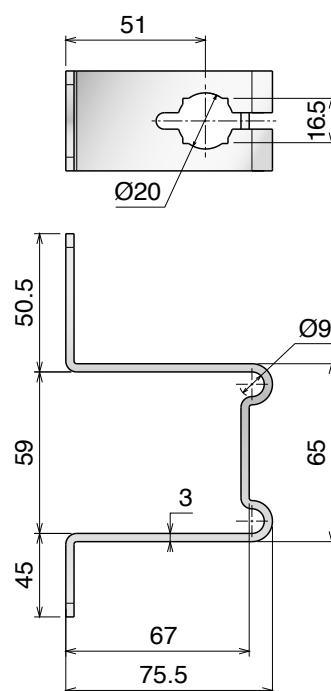
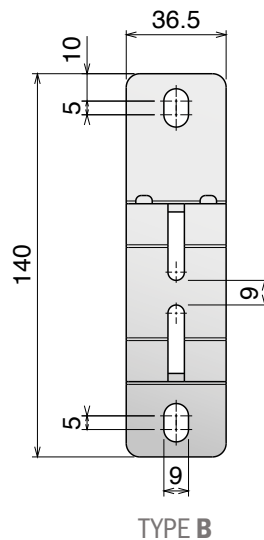
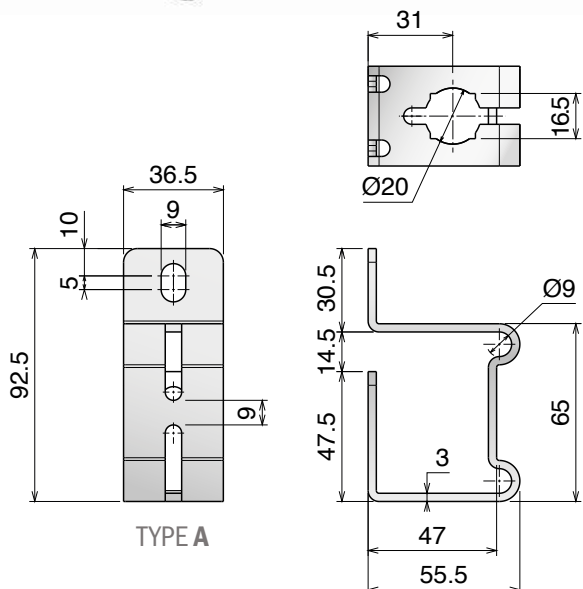
Part	Article-Nr.	ØA
427	42701	16
427	42702	20



343 Supporto laterale Side bracket / Seitenhalter

Stainless Steel | AISI 304

Part	Article-Nr.	Type
343	34301	A
343	34302	B



Materiale / Material / Materialien:

Giunto: Poliammide / Joint: Polyamide / Verbinder: Polyamid

Viti e rondelle: Acciaio inox / Screws and washers: Stainless steel / Schrauben und Scheibe: Edelstahl

Inserti e dadi: Acciaio inox / Inserts nuts: Stainless steel / Mutter: Edelstahl

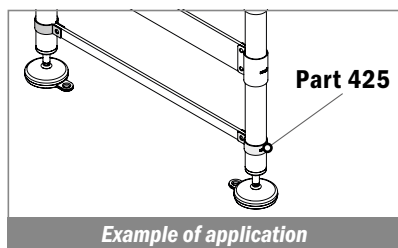
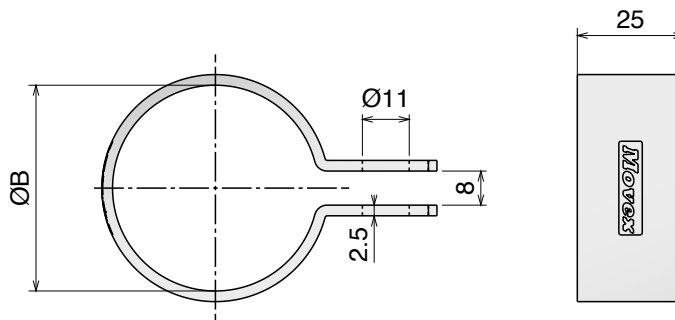
425-413

Componenti di supporto / Conveyor support components / Stützelemente

425 Morsetto a collare (acciaio inox) Clamp collar (SS) / Klemmschelle (Edelstahl)

Stainless Steel | AISI 304

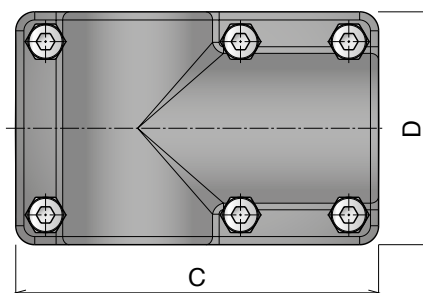
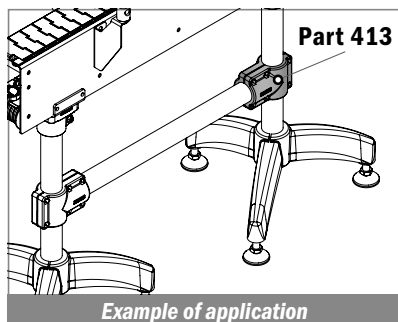
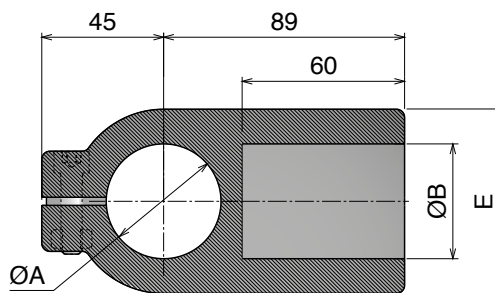
Part	Article-Nr.	ØB
425	42501	48,3
425	42511	50,8



413 Giunto di collegamento Connecting joint / Verbindungselement

Max recommended tightening torque: 15 N mt

Part	Article-Nr.	ØA	ØB	C	D	E
413	41301	48,3	48,3	134	86	68
413	41304	50,9	50,9	134	86	68
413	41302	60,3	48,3	146	98	80
413	41303	60,3	60,3	146	98	80



Materiale / Material / Materialien:

Giunto: Poliammide / Joint: Polyamide / Verbinder: Polyamid

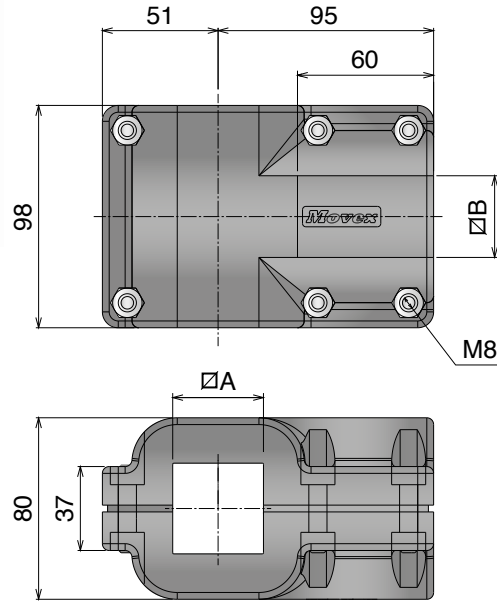
Viti e rondelle: Acciaio inox / Screws and washers: Stainless steel / Schrauben und Scheibe: Edelstahl

Inserti e dadi: Acciaio inox / Inserts nuts: Stainless steel / Mutter: Edelstahl

433

Giunto di collegamento per tubi quadrati

Connecting joint for square tubes / Verbindungselement für vierkant Rohre



Part	Article-Nr.	ØA	ØB
433	43301	30	30
433	43302	40	40
433	43303	45	45
433	43304	50	50

414

Giunto di collegamento (acciaio inox)

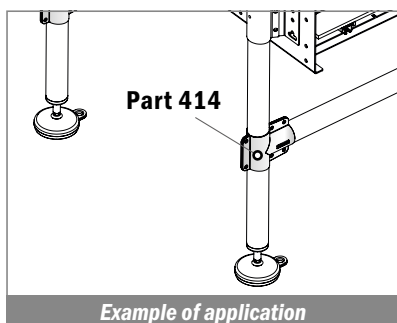
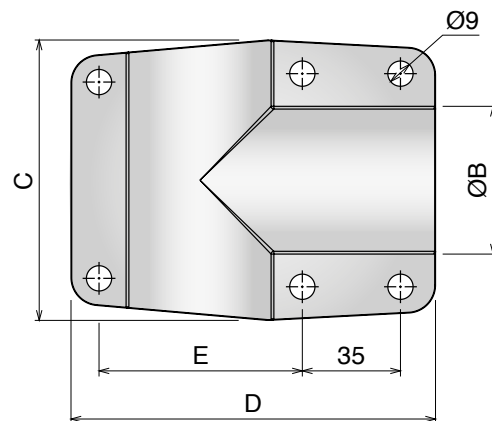
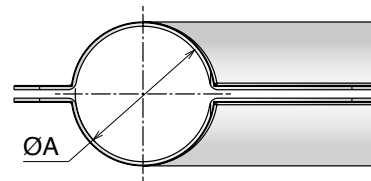
Connecting joint (SS) / Verbindungselement (Edelstahl)

Stainless Steel | AISI 304

Max recommended tightening torque: 25 N mt



Part	Article-Nr.	ØA	ØB	C	D	E
414	41401	48,3	48,3	100	130	72,5
414	41402	60,3	60,3	110	150	92,5



Materiale / Material / Materialien:

Tappo: Poliammide / Plug: Polyamide / Stopfen: Polyamid

Inseri: PA o Ottone / Inserts: PA or Brass

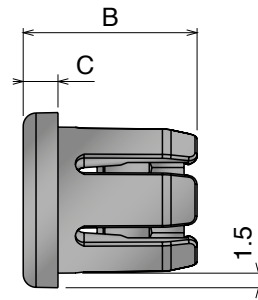
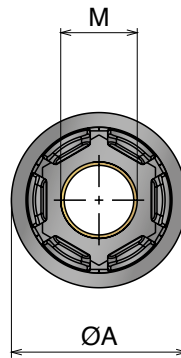
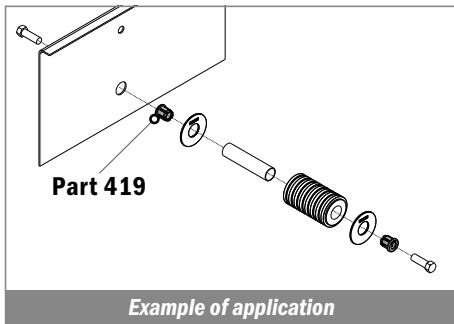
Einsatz: PA oder Messing

419 Tappi ad espansione Expansions plugs / Gewindezapfen, Spreizbar



**Brass insert
High Strength**

Part	Article-Nr.		ØA	B	C	M
	Brass Bush	PA Bush				
419	41907	-	20	19	3	M8
419	41908	-	20	19	3	M10
419	41901	-	20	20	4	M8
419	41902	-	20	20	4	M10
419	41903	41913	38	40	5	M8
419	41904	41914	38	40	5	M10
419	41905	41915	42,4	40	5	M8
419	41906	41916	42,4	40	5	M10

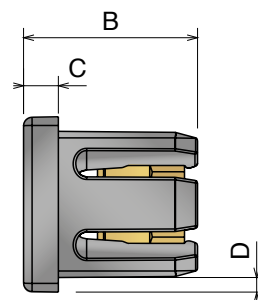
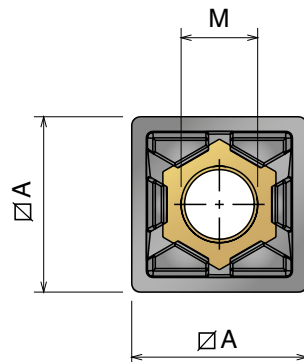
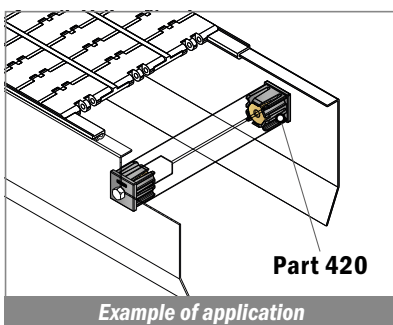


420 Tappi ad espansione Expansions plugs / Gewindezapfen, Spreizbar

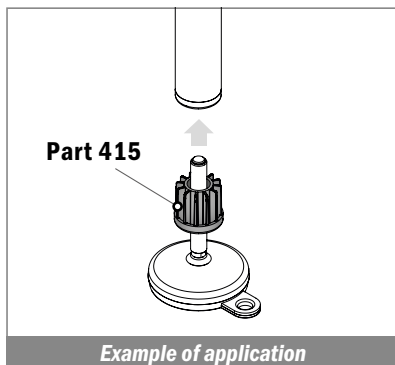
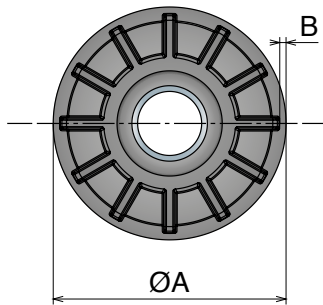
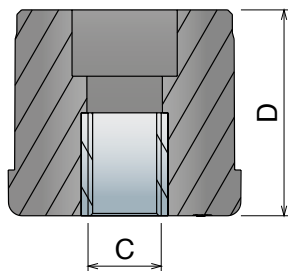


**Brass insert
High Strength**

Part	Article-Nr.		∇A	B	C	D	M
	Brass Bush	PA Bush					
420	42001	-	20	20	4	1,5	M8
420	42002	-	20	20	4	1,5	M10
420	42003	-	20	20	4	2	M8
420	42004	-	20	20	4	2	M10
420	42005	42015	40	40	5	2	M8
420	42006	42016	40	40	5	2	M10



415 Tappi tondi filettati Threaded bushings for round tubes / Gewindezapfen f. Rund-Rohr

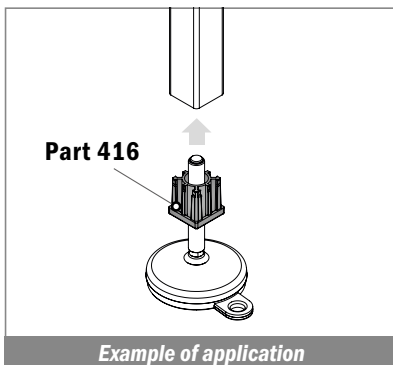
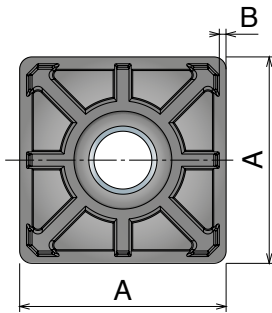
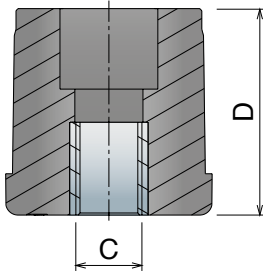


Part	Art.-Nr.	ØA	B	C	D	Part	Art.-Nr.	ØA	B	C	D
415	415001	20	2	M8	23	415	41550			M10	48
415	415002			M8	26	415	41551			M12	48
415	415003	25	2	M10	26	415	41552	48,3	1,5	M14	48
415	415004			M12	26	415	41501			M16	48
415	41507			M10	33	415	41502			M20	48
415	41508	30	1	M12	33	415	41553			M10	55
415	41509			M14	33	415	41554			M12	55
415	41510			M16	33	415	41555	48,3	2	M14	55
415	41511			M10	33	415	41556			M16	55
415	41512	30	1,5	M12	33	415	41557			M20	55
415	41513			M14	33	415	41558			M10	45
415	41514			M16	33	415	41559			M12	45
415	41515	30	2	M10	33	415	41560	48,3	2,5	M14	45
415	41516			M12	33	415	41561			M16	45
415	41517	30	2	M14	33	415	41562			M20	45
415	41518			M16	33	415	41563			M10	45
415	41519	30	2,5	M10	33	415	41564			M12	45
415	41520			M12	33	415	41565	50	1,5	M14	45
415	41521	30	2,5	M14	33	415	41503			M16	45
415	41522			M16	33	415	41504			M20	45
415	41523	38	1,5	M10	40	415	415015			M10	45
415	41524			M12	40	415	415016			M12	45
415	41525	38	1,5	M14	40	415	415017	50	3	M14	45
415	41526			M16	40	415	415018			M16	45
415	41527	38	2	M10	40	415	415019			M20	45
415	41528			M12	40	415	41566			M10	50
415	41529	38	2	M14	40	415	41567			M12	50
415	41530			M16	40	415	41568	50,9	1,5	M14	50
415	41531	38	2,5	M10	40	415	41569			M16	50
415	41532			M12	40	415	41570			M20	50
415	41533	38	2,5	M14	40	415	41571			M10	45
415	41534			M16	40	415	41572			M12	45
415	415005			M8	40	415	41573	50,9	2	M14	45
415	415006			M10	40	415	41574			M16	45
415	415007	40	3	M12	40	415	41575			M20	45
415	415008			M14	40	415	41576			M10	45
415	415009			M16	40	415	41577			M12	45
415	41535	42,4	1,5	M10	43	415	41578	50,9	2,5	M14	45
415	41536			M12	43	415	41579			M16	45
415	41537			M14	43	415	41580			M20	45
415	41538			M16	43	415	415020			M10	55
415	41539			M20	43	415	415021			M12	55
415	41540	42,4	2	M10	43	415	415022	60,3	1,2	M14	55
415	41541			M12	43	415	415023			M16	55
415	41542			M14	43	415	415024			M20	55
415	41543	42,4	2	M16	43	415	41581			M10	55
415	41544			M20	43	415	41582			M12	55
415	41545			M10	43	415	41583	60,3	1,5	M14	55
415	41546			M12	43	415	41584			M16	55
415	41547	42,4	2,5	M14	43	415	41585			M20	55
415	41548			M16	43	415	41586			M10	55
415	41549			M20	43	415	41587			M12	55
415	415010			M10	38	415	41588	60,3	2	M14	55
415	415011			M12	38	415	41505			M16	55
415	415012	45	3	M14	38	415	41506			M20	55
415	415013			M16	38	415	41589			M10	55
415	415014			M20	38	415	41590			M12	55
						415	41591	60,3	2,5	M14	55
						415	41592			M16	55
						415	41593			M20	55

416

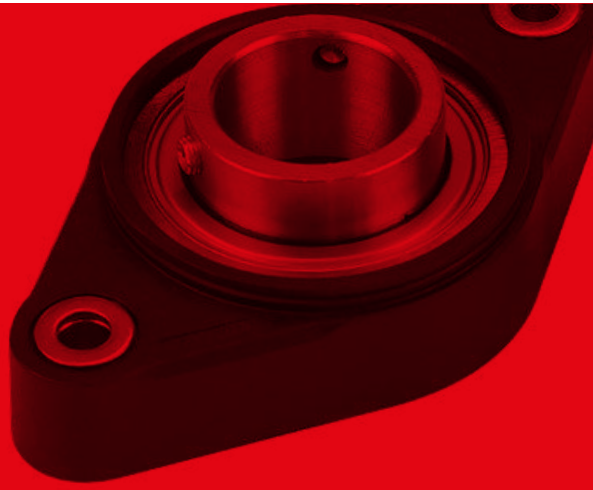
Tappi quadri filettati

Threaded bushings for square tubes / Gewindezapfen f. Vierkant-Rohr



Part	Article-Nr.	A	B	C	D	Part	Article-Nr.	A	B	C	D
416	416001	20	1,5	M8	23	416	416003			M10	38
416	416002	20	2	M8	23	416	416004			M12	38
416	41601	25	1,5	M10	26	416	416005	45	3	M14	38
416	41602			M12	26	416	416006			M16	38
416	41611	30	1,5	M10	33	416	416007			M20	38
416	41603			M12	33	416	41648			M10	50
416	41612			M14	33	416	41649			M12	50
416	41604			M16	33	416	41650	50	1,2	M14	50
416	41613			M10	33	416	41651			M16	50
416	41614	30	2	M12	33	416	41652			M20	50
416	41615			M14	33	416	41653			M10	50
416	41616			M16	33	416	41654			M12	50
416	41617			M10	38	416	41655	50	1,5	M14	50
416	41618			M12	38	416	41656			M16	50
416	41619	35	1,5	M14	38	416	41657			M20	50
416	41620			M16	38	416	41658			M10	50
416	41621			M20	38	416	41659			M12	50
416	41622			M10	43	416	41660	50	2	M14	50
416	41623			M12	43	416	41609			M16	50
416	41624	35	2	M14	43	416	41610			M20	50
416	41625			M16	43	416	41661			M10	50
416	41626			M20	43	416	41662			M12	50
416	41681			M10	43	416	41663	50	2,5	M14	50
416	41682			M12	43	416	41664			M16	50
416	41683	38,1	1,6	M14	43	416	41665			M20	50
416	41684			M16	43	416	41666			M10	50
416	41685			M20	43	416	41667			M12	50
416	41686			M10	43	416	41668	50	3	M14	50
416	41687			M12	43	416	41669			M16	50
416	41688	38,1	3	M14	43	416	41670			M20	50
416	41689			M16	43	416	41671			M10	55
416	41690			M20	43	416	41672			M12	55
416	41627			M10	38	416	41673	60	2	M14	55
416	41628			M12	38	416	41674			M16	55
416	41629	40	1,2	M14	38	416	41675			M20	55
416	41630			M16	38	416	41676			M10	55
416	41631			M20	38	416	41677			M12	55
416	41632			M10	43	416	41678	60	3	M14	55
416	41605			M12	43	416	41679			M16	55
416	41633	40	1,5	M14	43	416	41680			M20	55
416	41606			M16	43	416	41608			M14	55
416	41634			M20	43	416	41609	80	3	M16	55
416	41635			M10	43	416	416010			M20	55
416	41636			M12	43						
416	41637	40	2	M14	45						
416	41607			M16	45						
416	41608			M20	45						
416	41638			M10	38						
416	41639			M12	38						
416	41640	40	2,5	M14	38						
416	41641			M16	38						
416	41642			M20	38						
416	41643			M10	38						
416	41644			M12	38						
416	41645	45	2	M14	38						
416	41646			M16	38						
416	41647			M20	38						





FL Series - Hygienic version



Standard version
Pag 232



Watertight version
Close & open cap
Pag 233/234

F Series - Hygienic version



Standard version
Pag 235



Watertight version
Close & open cap
Pag 236/237

FB Series - Hygienic version



Standard version
Pag 238



Watertight version
Close & open cap
Pag 239/240

UCP Series - Hygienic version



Standard version
Pag 241



Watertight version
Close & open cap
Pag 242/243

UCT Series - Hygienic version



Standard version
Pag 244



Watertight version
Close & open cap
Pag 245/246

Hygienic Accessories

898



Pag 247

898



Pag 247

897



Pag 247

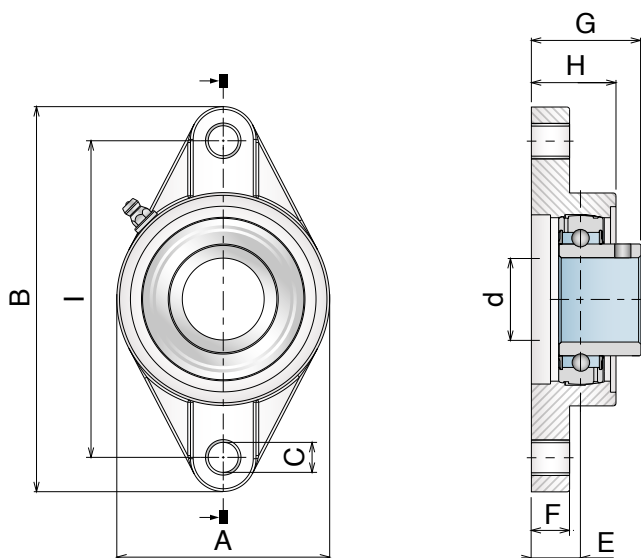
This catalog contains only a limited selection of all the products available at Movex S.p.A.
For a complete overview, please visit our website or contact your sales representative.

FL Grub screw

Standard bearings - solid version

Main features:

- Housing in reinforced polypropylene
- Stainless steel ball bearing (pre-lubricated)
- Stainless steel mounting hole spacers
- Stainless steel grease nipple 1/8" GAS
- Washer for grease nipple in PE



FIXING METHOD



GRUB SCREW

Stainless Steel											Caps (Accessories)	
Article-Number	Series	d	I	A	B	C	E	F	G	H	Close	Open
○ 81300 ● 81300B	FL 204	20	90	64	113	11	15,4	11,4	33,4	26,5	89801	89851
○ 81301 ● 81301B	FL 205	25	99	70	131	11	17	14	36,5	29,5	89802	89852
○ 81305 ● 81305B	FL 206/90,5	30	90,5	84	112,5	11	11,5	20,5	33,5	23,3	89803	89853
○ 81302 ● 81302B	FL 206		117	80	148	11	18	14	40	30,5	89803	89853
○ 81303 ● 81303B	FL 207	35	130	90	164	13	18	16,1	41,5	32,8	89804	89854
○ 81306 ● 81306B	FL 208/119	40	119	99	150	14	13,5	24,5	38,5	27,5	89805	89855
○ 81304 ● 81304B	FL 208		144	100	176	14	21,5	20	46,5	37,5	89805	89855

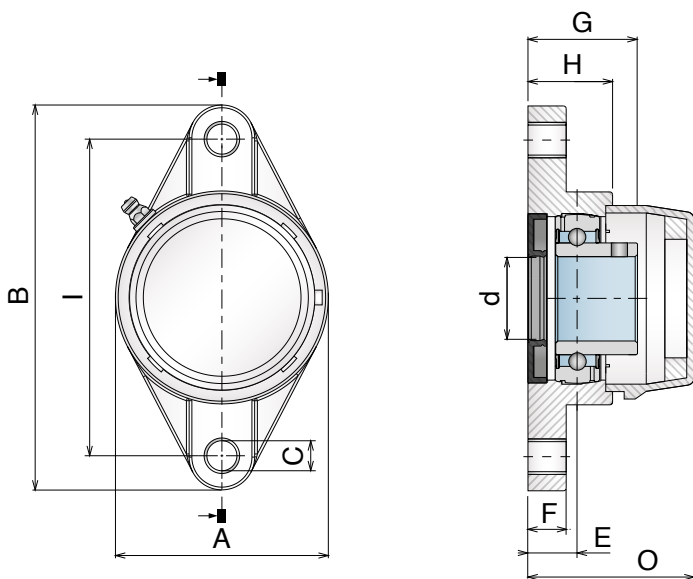
For blue caps, add "B" to the code (e.g.: 89801B)

FL Grub screw

Watertight bearings - solid version

Main features:

- Housing in reinforced polypropylene
- Stainless steel ball bearing (pre-lubricated)
- Stainless steel mounting hole spacers
- Stainless steel grease nipple 1/8" GAS
- Polypropylene closed cap with O-ring seal
- Washer for grease nipple in PE
- NBR bottom seal



FIXING METHOD



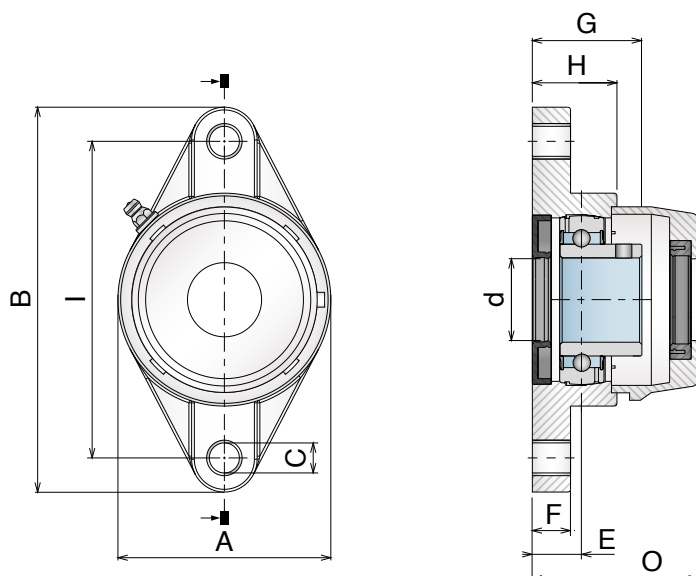
Stainless Steel		Series	d	I	A	B	C	E	F	G	H	O
○ 81320 ● 81320B	FL 204	20	90	64	113	11	15,4	11,4	33,4	26,5	46,5	
○ 81321 ● 81321B	FL 205	25	99	70	131	11	17	14	36,5	29,5	51	
○ 81325 ● 81325B	FL 206/90,5	30	90,5	84	112,5	11	11,5	20,5	33,5	23,3	50	
○ 81322 ● 81322B	FL 206		117	80	148	11	18	14	40	30,5	58	
○ 81323 ● 81323B	FL 207	35	130	90	164	13	18	16,1	41,5	32,8	61	
○ 81326 ● 81326B	FL 208/119	40	119	99	150	14	13,5	24,5	38,5	27,5	60,5	
○ 81324 ● 81324B	FL 208		144	100	176	14	21,5	20	46,5	37,5	71	

FL Grub screw

Watertight bearings - solid version

Main features:

- Housing in reinforced polypropylene
- Stainless steel ball bearing (pre-lubricated)
- Stainless steel mounting hole spacers
- Stainless steel grease nipple 1/8" GAS
- Polypropylene open cap with O-ring seal & NBR top seal
- Washer for grease nipple in PE
- NBR bottom seal



FIXING METHOD



GRUB SCREW

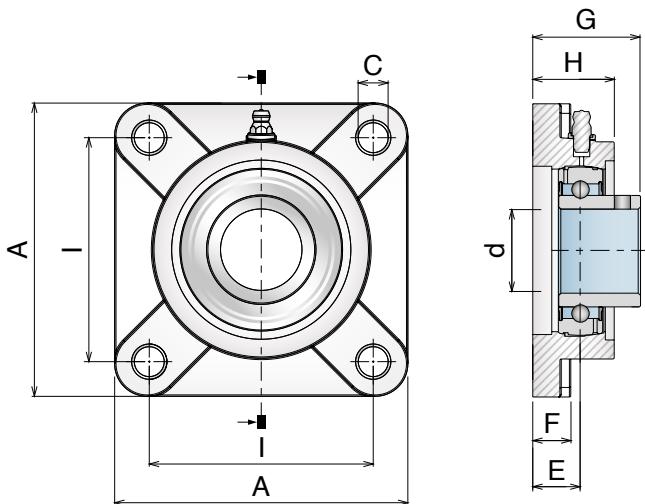
Stainless Steel		Series	d	I	A	B	C	E	F	G	H	O
○ 81330 ● 81330B	FL 204	20	90	64	113	11	15,4	11,4	33,4	26,5	46,5	
○ 81331 ● 81331B	FL 205	25	99	70	131	11	17	14	36,5	29,5	51	
○ 81335 ● 81335B	FL 206/90,5	30	90,5	84	112,5	11	11,5	20,5	33,5	23,3	50	
○ 81332 ● 81332B	FL 206		117	80	148	11	18	14	40	30,5	58	
○ 81333 ● 81333B	FL 207	35	130	90	164	13	18	16,1	41,5	32,8	61	
○ 81336 ● 81336B	FL 208/119	40	119	99	150	14	13,5	24,5	38,5	27,5	60,5	
○ 81334 ● 81334B	FL 208		144	100	176	14	21,5	20	46,5	37,5	71	

F Grub screw

Standard bearings - solid version

Main features:

- Housing in reinforced polypropylene
- Stainless steel ball bearing (pre-lubricated)
- Stainless steel mounting hole spacers
- Stainless steel grease nipple 1/8" GAS
- Washer for grease nipple in PE



FIXING METHOD



Stainless Steel										Caps (Accessories)				
Article-Number		Series	d	I	A	C	E	F	G	H	Close	Open		
○	81400	●	81400B	F 204	20	63,5	86	11	18	13,4	34,8	25,3	89801	89851
○	81401	●	81401B	F 205	25	70	95	11	17	14	35,8	28,5	89802	89852
○	81402	●	81402B	F 206	30	83	107	11	19,2	14,3	40,8	31,5	89803	89853
○	81403	●	81403B	F 207	35	92	118	13	21,5	15,5	42,8	34,4	89804	89854
○	81404	●	81404B	F 208	40	102	130	14	23	17	46,2	33,4	89805	89855

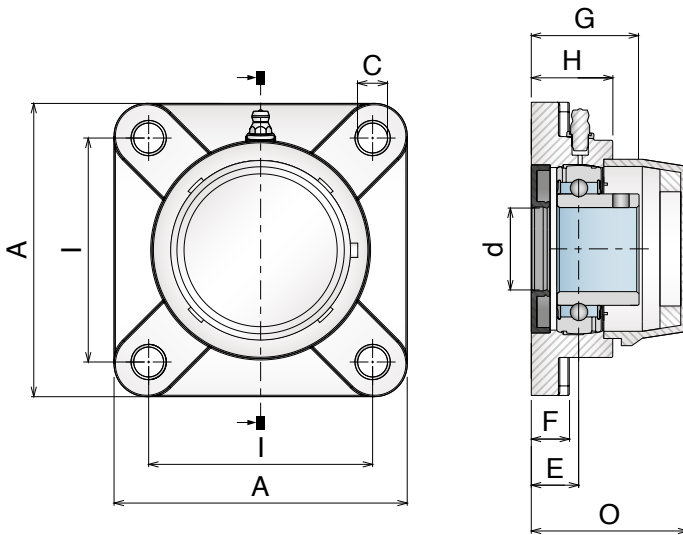
For blue caps, add "B" to the code (e.g.: 89801B)

F Grub screw

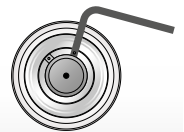
Watertight bearings - solid version

Main features:

- Housing in reinforced polypropylene
- Stainless steel ball bearing (pre-lubricated)
- Stainless steel mounting hole spacers
- Stainless steel grease nipple 1/8" GAS
- Polypropylene closed cap with O-ring seal
- Washer for grease nipple in PE
- NBR bottom seal



FIXING METHOD



GRUB SCREW

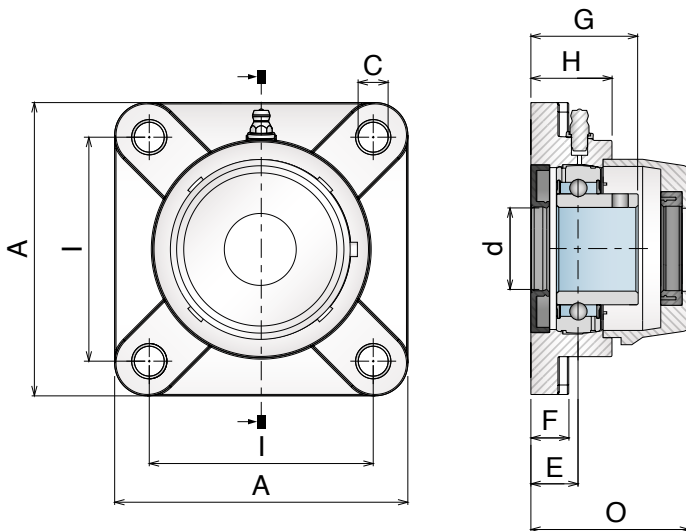
Stainless Steel		Article-Number	Series	d	I	A	C	E	F	G	H	O	
○	●	81420	81420B	F 204	20	63,5	86	11	18	13,4	34,8	25,3	48,5
○	●	81421	81421B	F 205	25	70	95	11	17	14	35,8	28,5	51
○	●	81422	81422B	F 206	30	83	107	11	19,2	14,3	40,8	31,5	59
○	●	81423	81423B	F 207	35	92	118	13	21,5	15,5	42,8	34,4	62,5
○	●	81424	81424B	F 208	40	102	130	14	23	17	46,2	33,4	71

F Grub screw

Watertight bearings - solid version

Main features:

- Housing in reinforced polypropylene
- Stainless steel ball bearing (pre-lubricated)
- Stainless steel mounting hole spacers
- Stainless steel grease nipple 1/8" GAS
- Polypropylene open cap with O-ring seal & NBR top seal
- Washer for grease nipple in PE
- NBR bottom seal



FIXING METHOD



GRUB SCREW

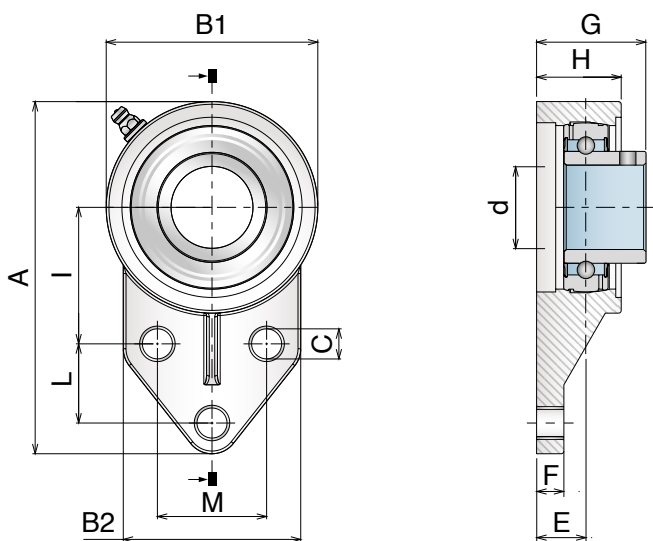
Stainless Steel		Series	d	I	A	C	E	F	G	H	O
○ 81430 ● 81430B	F 204	20	63,5	86	11	18	13,4	34,8	25,3	48,5	
○ 81431 ● 81431B	F 205	25	70	95	11	17	14	35,8	28,5	51	
○ 81432 ● 81432B	F 206	30	83	107	11	19,2	14,3	40,8	31,5	59	
○ 81433 ● 81433B	F 207	35	92	118	13	21,5	15,5	42,8	34,4	62,5	
○ 81434 ● 81434B	F 208	40	102	130	14	23	17	46,2	33,4	71	

FB Grub screw

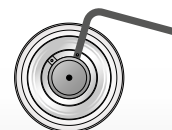
Standard bearings - solid version

Main features:

- Housing in reinforced polypropylene
- Stainless steel ball bearing (pre-lubricated)
- Stainless steel mounting hole spacers
- Stainless steel grease nipple 1/8" GAS
- Washer for grease nipple in PE



FIXING METHOD



GRUB SCREW

Stainless Steel														Caps (Accessories)	
Article-Number	Series	d	A	B1	B2	C	E	F	G	H	I	L	M	Close	Open
○ 81500 ● 81500B	FB 204	20	108,5	62	62	11	15,4	12	33,4	26,2	42,9	22,2	38,1	89801	89851
○ 81501 ● 81501B	FB 205	25	120,6	68,5	63,5	11	21	12	40,5	33,5	46	28,6	41,3	89802	89852
○ 81502 ● 81502B	FB 206	30	140	82	75	11	19	14	41	31,5	52,4	31,8	47,6	89803	89853
○ 81503 ● 81503B	FB 207	35	158	94	89	13	21,4	17	44,9	36,5	60,3	31,8	50,8	89804	89854
○ 81504 ● 81504B	FB 208	40	164	100	78	13	21,4	18	46,4	35,7	60,3	41,3	50	89805	89855

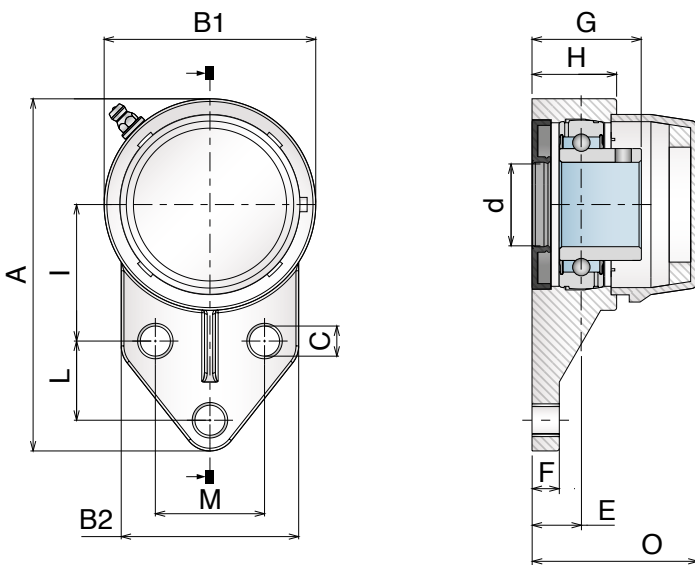
For blue caps, add "B" to the code (e.g.: 89801B)

FB Grub screw

Watertight bearings - solid version

Main features:

- Housing in reinforced polypropylene
- Stainless steel ball bearing (pre-lubricated)
- Stainless steel mounting hole spacers
- Stainless steel grease nipple 1/8" GAS
- Polypropylene closed cap with O-ring seal
- Washer for grease nipple in PE
- NBR bottom seal



FIXING METHOD



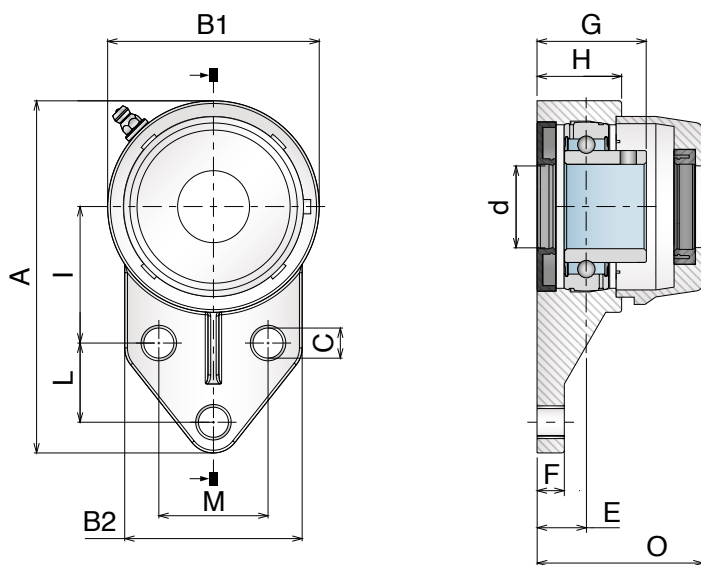
Stainless Steel		Series	d	A	B1	B2	C	E	F	G	H	I	L	M	O	
○	81520	● 81520B	FB 204	20	108,5	62	62	11	15,4	12	33,4	26,2	42,9	22,2	38,1	46
○	81521	● 81521B	FB 205	25	120,6	68,5	63,5	11	21	12	40,5	33,5	46	28,6	41,3	54,5
○	81522	● 81522B	FB 206	30	140	82	75	11	19	14	41	31,5	52,4	31,8	47,6	58
○	81523	● 81523B	FB 207	35	158	94	89	13	21,4	17	44,9	36,5	60,3	31,8	50,8	65,5
○	81524	● 81524B	FB 208	40	164	100	78	13	21,4	18	46,4	35,7	60,3	41,3	50	70

FB Grub screw

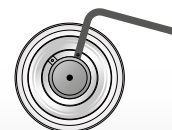
Watertight bearings - solid version

Main features:

- Housing in reinforced polypropylene
- Stainless steel ball bearing (pre-lubricated)
- Stainless steel mounting hole spacers
- Stainless steel grease nipple 1/8" GAS
- Polypropylene open cap with O-ring seal & NBR top seal
- Washer for grease nipple in PE
- NBR bottom seal



FIXING METHOD



GRUB SCREW

Stainless Steel

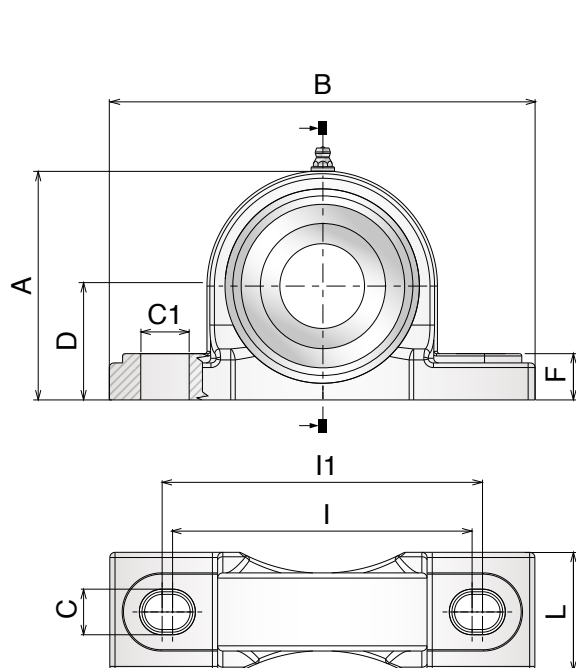
Article-Number	Series	d	A	B1	B2	C	E	F	G	H	I	L	M	O
○ 81530 ● 81530B	FB 204	20	108,5	62	62	11	15,4	12	33,4	26,2	42,9	22,2	38,1	46
○ 81531 ● 81531B	FB 205	25	120,6	68,5	63,5	11	21	12	40,5	33,5	46	28,6	41,3	54,5
○ 81532 ● 81532B	FB 206	30	140	82	75	11	19	14	41	31,5	52,4	31,8	47,6	58
○ 81533 ● 81533B	FB 207	35	158	94	89	13	21,4	17	44,9	36,5	60,3	31,8	50,8	65,5
○ 81534 ● 81534B	FB 208	40	164	100	78	13	21,4	18	46,4	35,7	60,3	41,3	50	70

UCP *Grub screw*

Standard bearings - solid version

Main features:

- Housing in reinforced polypropylene
- Stainless steel ball bearing (pre-lubricated)
- Stainless steel mounting hole spacers
- Stainless steel grease nipple 1/8" GAS
- Washer for grease nipple in PE



FIXING METHOD



GRUB SCREW

Stainless Steel													Caps (Accessories)						
Article-Number		Series	d	I	I1	A	B	C	C1	D	E	F	G	H	L	Close	Open		
○	81800	●	81800B	UCP 204	20	92	98	65,5	127	11	14	34	18,8	15	37	30	37	89801	89851
○	81801	●	81801B	UCP 205	25	102	108	71	140,5	11	14	36,7	19	15	38	33	37,8	89802	89852
○	81802	●	81802B	UCP 206	30	115	123	83,5	163,6	14	18	43,3	23	17,8	46	38	46	89803	89853
○	81803	●	81803B	UCP 207	35	123	131	94,2	168	14	18	48	24	18	48	39	48	89804	89854
○	81804	●	81804B	UCP 208	40	133	141	98,8	184	14	18	50	26,9	20	51,8	43	53,6	89805	89855

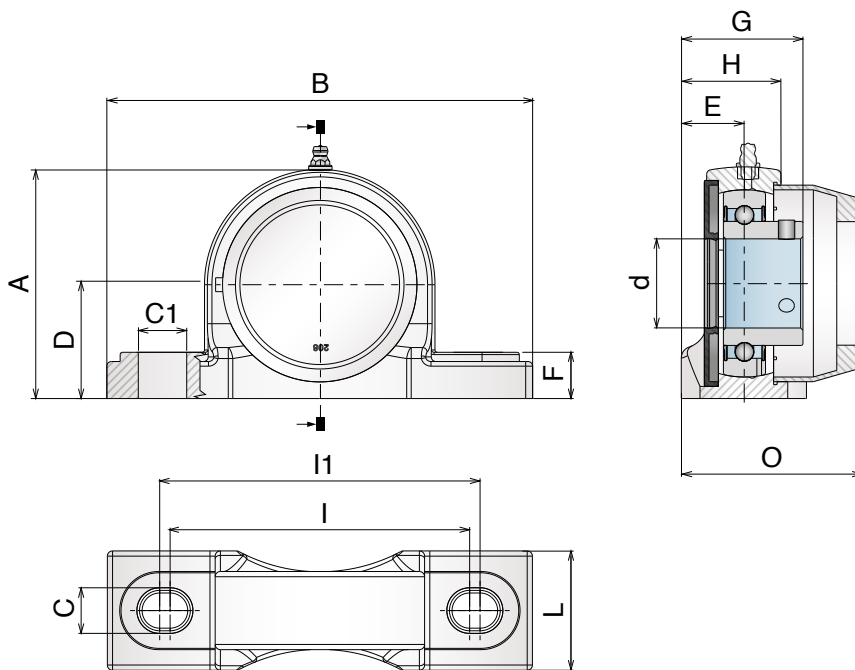
For blue caps, add "B" to the code (e.g.: 89801B)

UCP Grub screw

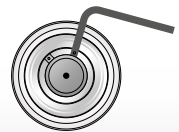
Watertight bearings - solid version

Main features:

- Housing in reinforced polypropylene
- Stainless steel ball bearing (pre-lubricated)
- Stainless steel mounting hole spacers
- Stainless steel grease nipple 1/8" GAS
- Polypropylene closed cap with O-ring seal
- Washer for grease nipple in PE
- NBR bottom seal



FIXING METHOD



GRUB SCREW

Stainless Steel

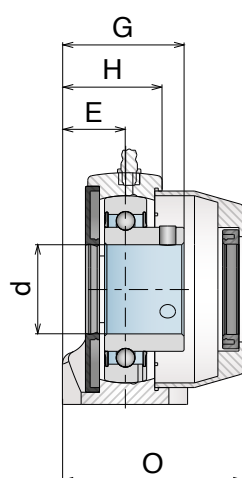
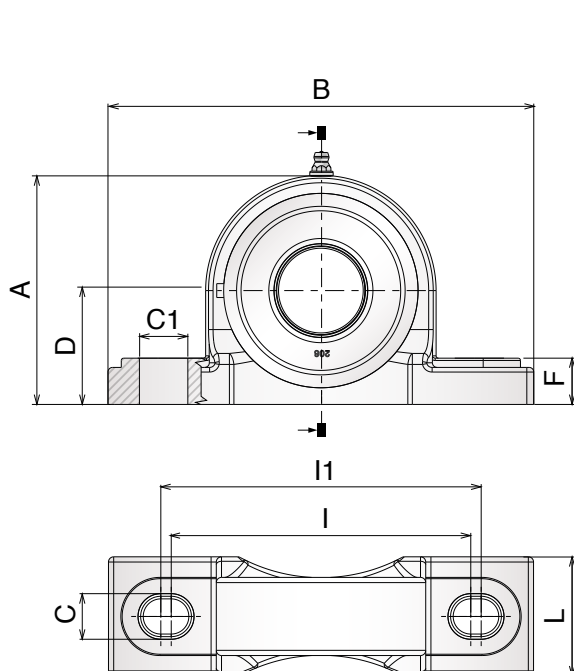
Article-Number	Series	d	I	I1	A	B	C	C1	D	E	F	G	H	L	O
○ 81820 ● 81820B	UCP 204	20	92	98	65,5	127	11	14	34	18,8	15	37	30	37	50
○ 81821 ● 81821B	UCP 205	25	102	108	71,1	140,5	11	14	36,7	19	15	38	33	37,8	54,1
○ 81822 ● 81822B	UCP 206	30	115	123	83,5	163,6	14	18	43,3	23	17,8	46	38	46	65
○ 81823 ● 81823B	UCP 207	35	123	131	94,2	168	14	18	48	24	18	48	39	48	67
○ 81824 ● 81824B	UCP 208	40	133	141	98,8	184	14	18	50	26,9	20	51,8	43	53,6	77,5

UCP Grub screw

Watertight bearings - solid version

Main features:

- Housing in reinforced polypropylene
- Stainless steel ball bearing (pre-lubricated)
- Stainless steel mounting hole spacers
- Stainless steel grease nipple 1/8" GAS
- Polypropylene open cap with O-ring seal & NBR top seal
- Washer for grease nipple in PE
- NBR bottom seal



FIXING METHOD



GRUB SCREW

Stainless Steel

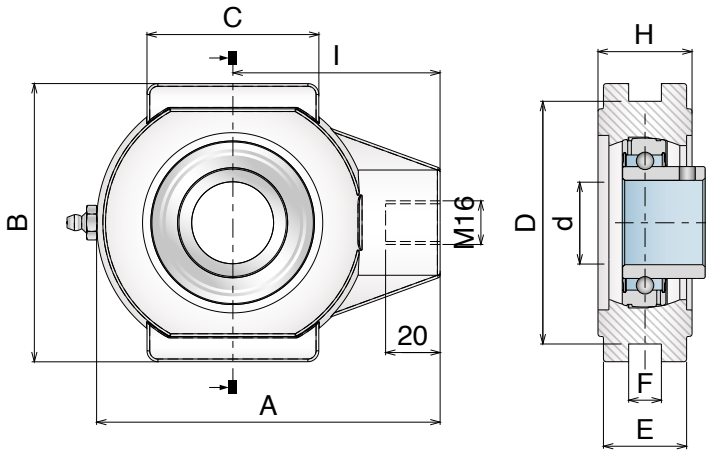
Article-Number	Series	d	I	I1	A	B	C	C1	D	E	F	G	H	L	O
○ 81830 ● 81830B	UCP 204	20	92	98	65,5	127	11	14	34	18,8	15	37	30	37	50
○ 81831 ● 81831B	UCP 205	25	102	108	71,1	140,5	11	14	36,7	19	15	38	33	37,8	54,1
○ 81832 ● 81832B	UCP 206	30	115	123	83,5	163,6	14	18	43,3	23	17,8	46	38	46	65
○ 81833 ● 81833B	UCP 207	35	123	131	94,2	168	14	18	48	24	18	48	39	48	67
○ 81834 ● 81834B	UCP 208	40	133	141	98,8	184	14	18	50	26,9	20	51,8	43	53,6	77,5

UCT Grub screw

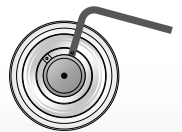
Standard bearings - solid version

Main features:

- Housing in reinforced polypropylene
- Stainless steel ball bearing (pre-lubricated)
- Stainless steel mounting hole spacers
- Stainless steel grease nipple 1/8" GAS
- Washer for grease nipple in PE



FIXING METHOD



GRUB SCREW

Stainless Steel											Caps (Accessories)	
Article-Number	Series	d	I	A	B	C	D	E	F	H	Close	Open
○ 86000 ● 86000B	UCT 204	20	64	99	88	47	76	23,5	12	27,5	89801	89851
○ 86001 ● 86001B	UCT 205	25	64	99	88	47	76	23,5	12	27,5	89802	89852
○ 86002 ● 86002B	UCT 206	30	76	125	102	63	90	30,5	12	34,5	89803	89853
○ 86003 ● 86003B	UCT 207	35	76	125	102	63	90	30,5	12	34,5	89804	89854
○ 86004 ● 86004B	UCT 208	40	140	114	80	102	33,5	16	38,5	70	89805	89855

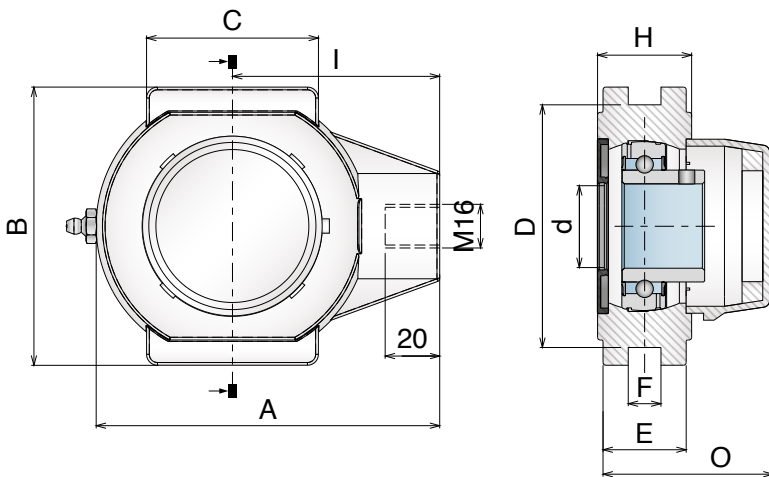
For blue caps, add "B" to the code (e.g.: 89802B)

UCT *Grub screw*

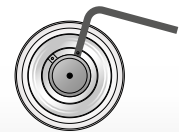
Watertight bearings - solid version

Main features:

- Housing in reinforced polypropylene
- Stainless steel ball bearing (pre-lubricated)
- Stainless steel mounting hole spacers
- Stainless steel grease nipple 1/8" GAS
- Polypropylene closed cap with O-ring seal
- Washer for grease nipple in PE
- NBR bottom seal



FIXING METHOD



GRUB SCREW

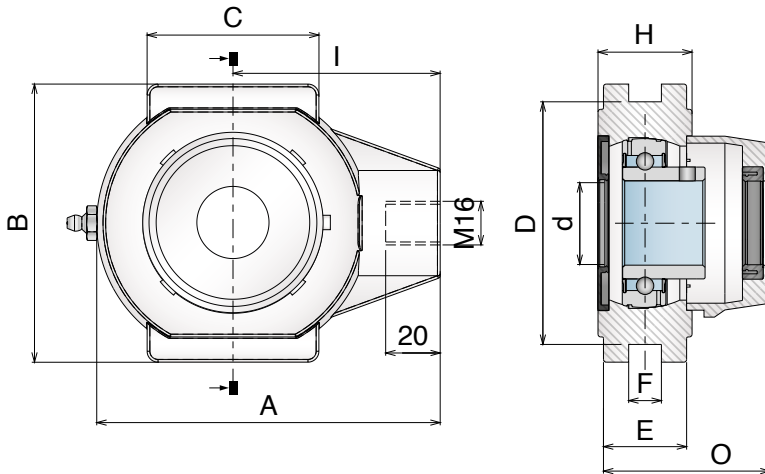
Stainless Steel		Series	d	I	A	B	C	D	E	F	H	O
○ 86020	● 86020B	UCT 204	20	64	99	88	47	76	23,5	12	27,5	46,5
○ 86021	● 86021B	UCT 205	25	64	99	88	47	76	23,5	12	27,5	46,5
○ 86022	● 86022B	UCT 206	30	76	125	102	63	90	30,5	12	34,5	60
○ 86023	● 86023B	UCT 207	35	76	125	102	63	90	30,5	12	34,5	62
○ 86024	● 86024B	UCT 208	40	140	114	80	102	33,5	16	38,5	70	76

UCT Grub screw

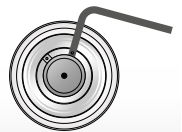
Watertight bearings - solid version

Main features:

- Housing in reinforced polypropylene
- Stainless steel ball bearing (pre-lubricated)
- Stainless steel mounting hole spacers
- Stainless steel grease nipple 1/8" GAS
- Polypropylene open cap with O-ring seal & NBR top seal
- Washer for grease nipple in PE
- NBR bottom seal



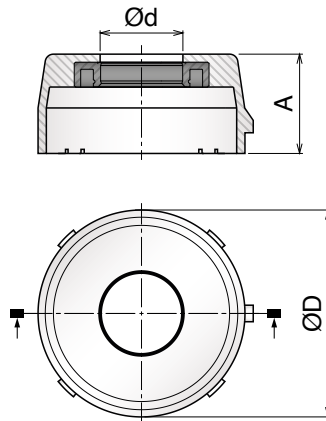
FIXING METHOD



GRUB SCREW

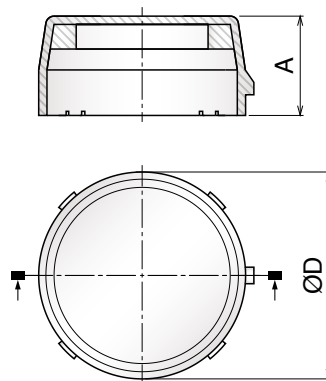
Stainless Steel		Series	d	I	A	B	C	D	E	F	H	O
○ 86030	● 86030B	UCT 204	20	64	99	88	47	76	23,5	12	27,5	46,5
○ 86031	● 86031B	UCT 205	25	64	99	88	47	76	23,5	12	27,5	46,5
○ 86032	● 86032B	UCT 206	30	76	125	102	63	90	30,5	12	34,5	60
○ 86033	● 86033B	UCT 207	35	76	125	102	63	90	30,5	12	34,5	62
○ 86034	● 86034B	UCT 208	40	140	114	80	102	33,5	16	38,5	70	76

898 Coperchio di sicurezza aperto / Open clip-on safety cap / Offene Schutzkappe



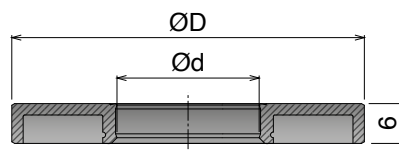
Color / Article - Nr.	ØD	Ød	A	Series
○ 89851	50	20	23	204
● 89851B	50	20	23	
○ 89852	55	25	25	205
● 89852B	55	25	25	
○ 89853	64	30	30	206
● 89853B	64	30	30	
○ 89854	73	35	32	207
● 89854B	73	35	32	
○ 89855	84	40	38	208
● 89855B	84	40	38	

898 Coperchio di sicurezza chiuso / Closed clip-on safety cap / Geschlossene Schutzkappe



Color / Article - Nr.	ØD	A	Series
○ 89801	50	23	204
● 89801B	50	23	
○ 89802	55	25	205
● 89802B	55	25	
○ 89803	64	30	206
● 89803B	64	30	
○ 89804	73	32	207
● 89804B	73	32	
○ 89805	84	38	208
● 89805B	84	38	

897 Anello di tenuta igienico / Hygienic ealing ring / Dichtringe



Color / Article - Nr.	ØD	Ød	Series
● 89701	52	20	204
● 89701B	52	20	
● 89702	62	25	205
● 89702B	62	25	
● 89703	72	30	206
● 89703B	72	30	
● 89704	82	35	207
● 89704B	82	35	
● 89705	88	40	208
● 89705B	88	40	

C500 Series

DECLARATION OF CONFORMITY

C500, C500-HEAVY, C500-SPLIT, C500-HEAVY-SPLIT series are certified 3A and EHEDG, following product details.

FEATURES



Base, spindle and cover material:

- Stainless steel AISI 304 (1.4301) – available also in AISI 316 (1.4401) on request

Anti-slip rubber:

- NBR rubber, color black
- Hardness: 70-75 Shore-A
- Working temperature: $-30^{\circ}\text{C} \div 110^{\circ}\text{C}$
- Compliant to REACH (CE 1907-2006)
- Compliant to ROHS&ROHS 2 (2002/95/EC)

Seals:

- Silicone rubber, color blue
- Hardness: 60 Shore-A
- Working temperature: $-60^{\circ}\text{C} \div 200^{\circ}\text{C}$
- Compliant to FDA normative

Ref. Norms.



The **C500 series** and all its versions (**HEAVY, SPLIT** and **HEAVY-SPLIT**) are the ideal choice for all those environments where hygienic level is constantly monitored (dairy, food, chemical and pharmaceutical industries) subjected to daily washing cycles.

Self-draining surfaces with roughness lower than $0,8 \mu\text{m}$ and the 3 seals (blue silicone detectable with food scanner) placed respectively inside the cover and between the spindle and the baseplate guarantee a hermetic closure, avoiding any external parts infiltration.

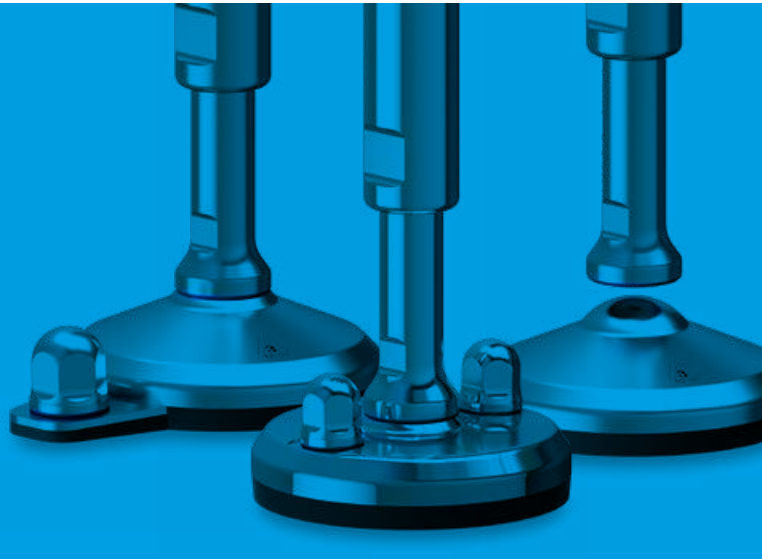
Following **3A** normative, levelers are properly installed when they provide a minimum clearance between the lowest part of the equipment and the floor of not less than 4.0 in. (102 mm) when the equipment base outlines an area in which no point is more than 12.5 in. (318 mm) from the nearest edge of the base, or a clearance of at least 6 in. (152 mm) when any point is more than 12.5 in. (318 mm) from the nearest edge.

Following **EHEDG** normative, recommended distance between floor and machined is at least 300 mm. Levelers with fixation need to be installed always with Movex certified nuts, on the contrary the company will not guarantee certifications requirements (follow installation manual – floor fixation, provided with every delivery).

Movex supplies all certified levelers with seals (unlosable); nevertheless, the end user should always check correct seals position before proceeding with the installation (follow installation manual, provided with every delivery).

C500 levelers have great resistance to the most common industrial detergents, following material specifications, compatible with producer specifications.

For a correct execution, please always follow provided manual (maintenance and cleaning manual, included in every delivery).



C500 Series



Pag 250

C500 Series SPLIT



Pag 255

C500 Series HEAVY



Pag 258

C500 Series HEAVY-SPLIT



Pag 263

Accessories



Pag 266



Pag 266



Pag 267



Pag 267



Pag 267

This catalog contains only a limited selection of all the products available at Movex S.p.A.
For a complete overview, please visit our website or contact your sales representative.

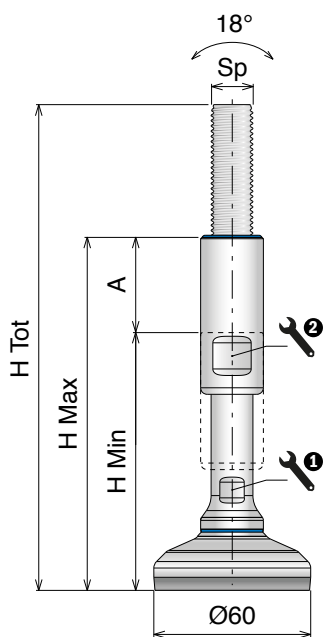
C500 Series

Piedi di livellamento / Leveling feet / Nivellierfüße

On request vulcanized rubber can be provided
white or blue and spindle can be made in AISI 316.

Materiale / Material / Materialien:

Base, stelo, rondella e boccia: Acciaio inox
Base plate, spindle, washer and cover: Stainless steel
Fussplatte, Spindel, Scheibe und Hülse: Edelstahl

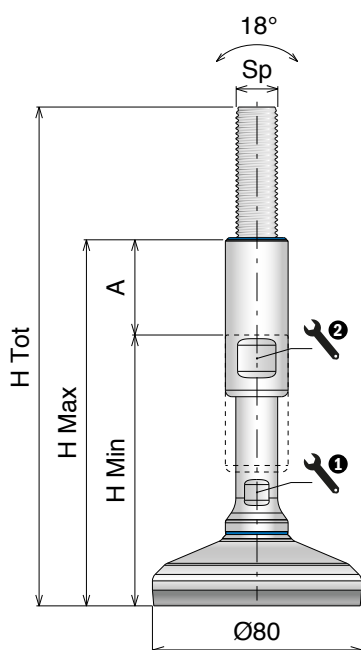


Ø60

DIAMETER (mm)



Art-Nr.	Sp	H Tot (mm)	H Min (mm)	H Max (mm)	A (mm)	1 (mm)	2 (mm)	Load (N)
902823	M12	185	105	150	45	10	17	4.500
902824		235	135	200	65	10	17	
902825	M16	185	105	150	45	13	19	4.500
902826		235	135	200	65	13	19	
902827	M20	185	105	150	45	17	24	4.500
902828		235	135	200	65	17	24	
902829	M24	185	105	150	45	19	30	4.500
902830		235	135	200	65	19	30	
902831	M30	185	105	150	45	24	36	4.500
902832		235	135	200	65	24	36	
902833		295	195	260	65	24	36	
902834	M36	185	105	150	45	30	42	4.500
902835		235	135	200	65	30	42	
902836		295	195	260	65	30	42	



Ø80

DIAMETER (mm)



Art-Nr.	Sp	H Tot (mm)	H Min (mm)	H Max (mm)	A (mm)	1 (mm)	2 (mm)	Load (N)
902837	M12	190	110	155	45	10	17	12.000
902838		240	140	205	65	10	17	
902839	M16	190	110	155	45	13	19	15.000
902840		240	140	205	65	13	19	
902841	M20	190	110	155	45	17	24	15.000
902842		240	140	205	65	17	24	
902843	M24	190	110	155	45	19	30	15.000
902844		240	140	205	65	19	30	
902845	M30	190	110	155	45	24	36	15.000
902846		240	140	205	65	24	36	
902847		300	200	265	65	24	36	
902848	M36	190	110	155	45	30	42	15.000
902849		240	140	205	65	30	42	
902850		300	200	265	65	30	42	



CERTIFIED PRODUCTS

ASK FOR CERTIFICATION:
certificate@movexii.com

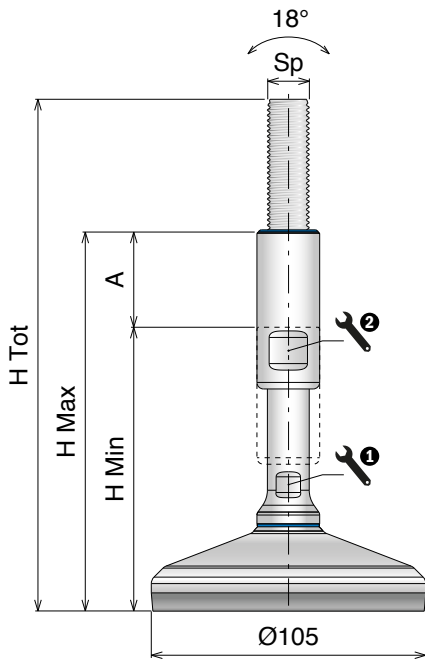
Materiale / Material / Materialien:

Base, stelo, rondella e boccia: Acciaio inox
 Base plate, spindle, washer and cover: Stainless steel
 Fussplatte, Spindel, Scheibe und Hülse: Edelstahl

On request vulcanized rubber can be provided
 white or blue and spindle can be made in AISI 316.

C500 Series

Piedi di livellamento / Leveling feet / Nivellierfüße

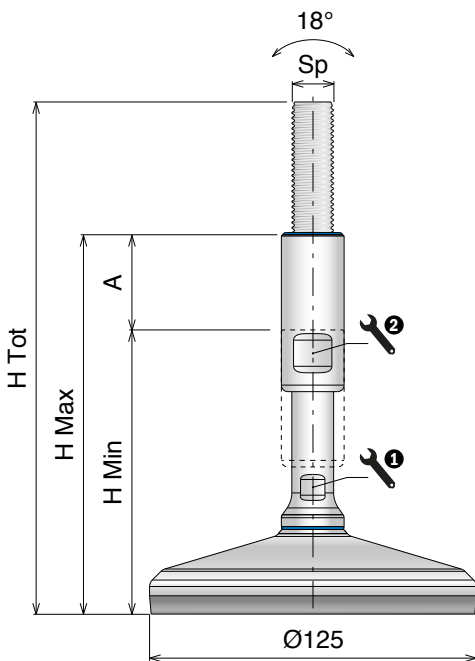


Ø105

DIAMETER (mm)



Art-Nr.	Sp	H Tot (mm)	H Min (mm)	H Max (mm)	A (mm)	1 (mm)	2 (mm)	Load (N)
902851	M12	195	115	160	45	10	17	12.000
902852		245	145	210	65	10	17	
902853	M16	195	115	160	45	13	19	25.000
902854		245	145	210	65	13	19	
902855	M20	195	115	160	45	17	24	25.000
902856		245	145	210	65	17	24	
902857	M24	195	115	160	45	19	30	25.000
902858		245	145	210	65	19	30	
902859	M30	195	115	160	45	24	36	25.000
902860		245	145	210	65	24	36	
902861		305	205	270	65	24	36	
902862	M36	195	115	160	45	30	42	25.000
902863		245	145	210	65	30	42	
902864		305	205	270	65	30	42	



Ø125

DIAMETER (mm)



Art-Nr.	Sp	H Tot (mm)	H Min (mm)	H Max (mm)	A (mm)	1 (mm)	2 (mm)	Load (N)
902865	M12	195	115	160	45	10	17	12.000
902866		245	145	210	65	10	17	
902867	M16	195	115	160	45	13	19	30.000
902868		245	145	210	65	13	19	
902869	M20	195	115	160	45	17	24	30.000
902870		245	145	210	65	17	24	
902871	M24	195	115	160	45	19	30	30.000
902872		245	145	210	65	19	30	
902873	M30	195	115	160	45	24	36	30.000
902874		245	145	210	65	24	36	
902875		305	205	270	65	24	36	
902876	M36	195	115	160	45	30	42	30.000
902877		245	145	210	65	30	42	
902878		305	205	270	65	30	42	

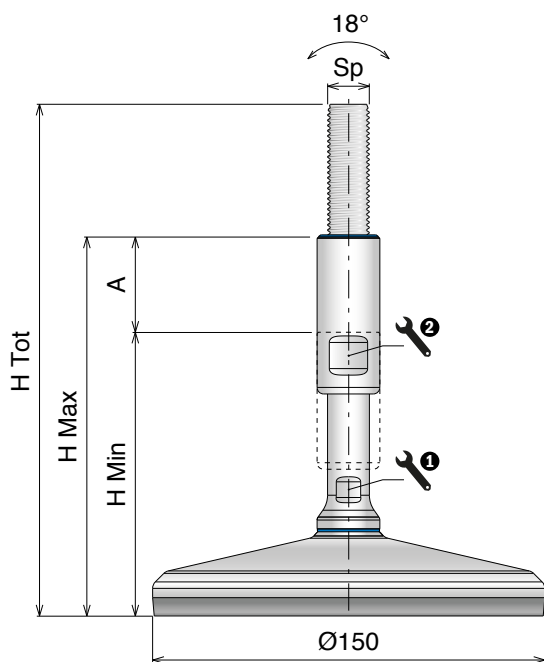
C500 Series

Piedi di livellamento / Leveling feet / Nivellierfüße

On request vulcanized rubber can be provided
white or blue and spindle can be made in AISI 316.

Materiale / Material / Materialien:

Base, stelo, rondella e boccia: Acciaio inox
Base plate, spindle, washer and cover: Stainless steel
Fussplatte, Spindel, Scheibe und Hülse: Edelstahl

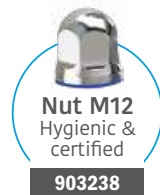
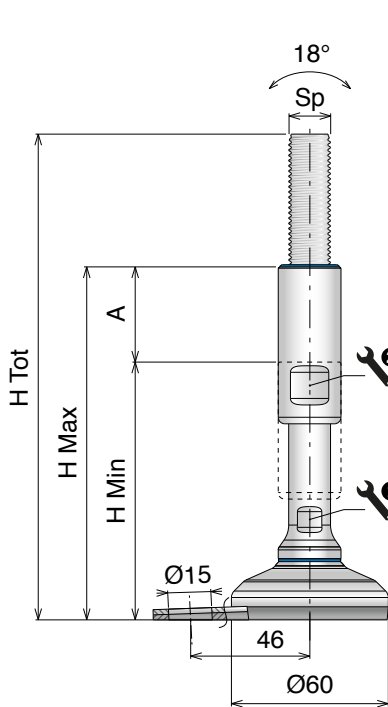


Ø150

DIAMETER (mm)

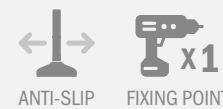


Art-Nr.	Sp	H Tot (mm)	H Min (mm)	H Max (mm)	A (mm)	1 (mm)	2 (mm)	Load (N)
902879	M12	195	115	160	45	10	17	12.000
902880		245	145	210	65	10	17	
902881	M16	195	115	160	45	13	19	30.000
902882		245	145	210	65	13	19	
902883	M20	195	115	160	45	17	24	45.000
902884		245	145	210	65	17	24	
902885	M24	195	115	160	45	19	30	45.000
902886		245	145	210	65	19	30	
902887	M30	195	115	160	45	24	36	45.000
902888		245	145	210	65	24	36	
902889		305	205	270	65	24	36	
902890	M36	195	115	160	45	30	42	45.000
902891		245	145	210	65	30	42	
902892		305	205	270	65	30	42	



Ø60

DIAMETER (mm)



Art-Nr.	Sp	H Tot (mm)	H Min (mm)	H Max (mm)	A (mm)	1 (mm)	2 (mm)	Load (N)
902893	M12	185	105	150	45	10	17	4.500
902894		235	135	200	65	10	17	
902895	M16	185	105	150	45	13	19	4.500
902896		235	135	200	65	13	19	
902897	M20	185	105	150	45	17	24	4.500
902898		235	135	200	65	17	24	
902899	M24	185	105	150	45	19	30	4.500
902900		235	135	200	65	19	30	
902901	M30	185	105	150	45	24	36	4.500
902902		235	135	200	65	24	36	
902903		295	195	260	65	24	36	
902904	M36	185	105	150	45	30	42	4.500
902905		235	135	200	65	30	42	
902906		295	195	260	65	30	42	



CERTIFIED PRODUCTS

ASK FOR CERTIFICATION:
certificate@movexii.com

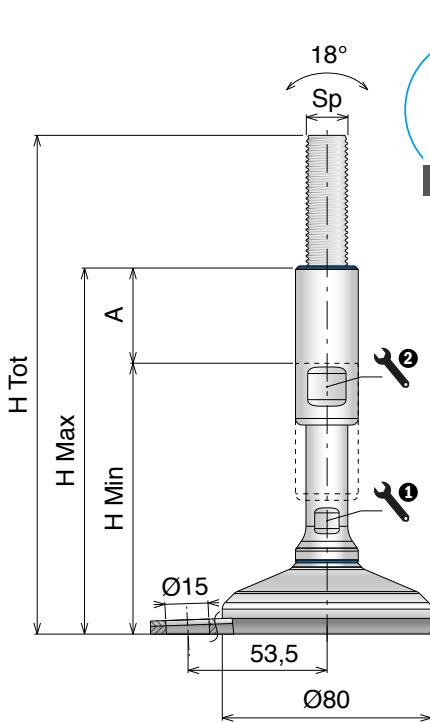
Materiale / Material / Materialien:

Base, stelo, rondella e boccia: Acciaio inox
 Base plate, spindle, washer and cover: Stainless steel
 Fussplatte, Spindel, Scheibe und Hülse: Edelstahl

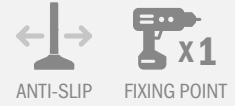
On request vulcanized rubber can be provided
 white or blue and spindle can be made in AISI 316.

C500 Series

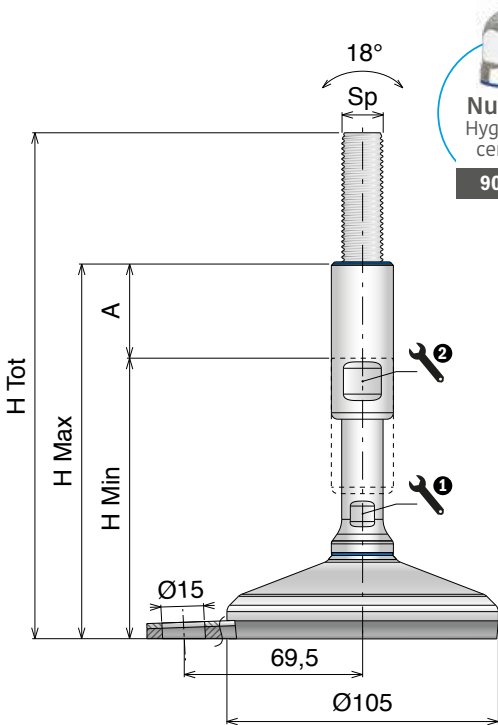
Piedi di livellamento / Leveling feet / Nivellierfüße



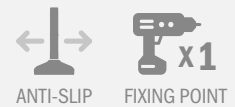
Ø 80
 DIAMETER (mm)



Art-Nr.	Sp	H Tot (mm)	H Min (mm)	H Max (mm)	A (mm)	1 (mm)	2 (mm)	Load (N)
902907	M12	190	110	155	45	10	17	12.000
902908		240	140	205	65	10	17	
902909	M16	190	110	155	45	13	19	15.000
902910		240	140	205	65	13	19	
902911	M20	190	110	155	45	17	24	15.000
902912		240	140	205	65	17	24	
902913	M24	190	110	155	45	19	30	15.000
902914		240	140	205	65	19	30	
902915	M30	190	110	155	45	24	36	15.000
902916		240	140	205	65	24	36	
902917		300	200	265	65	24	36	
902918	M36	190	110	155	45	30	42	15.000
902919		240	140	205	65	30	42	
902920		300	200	265	65	30	42	



Ø 105
 DIAMETER (mm)



Art-Nr.	Sp	H Tot (mm)	H Min (mm)	H Max (mm)	A (mm)	1 (mm)	2 (mm)	Load (N)
902921	M12	195	115	160	45	10	17	12.000
902922		245	145	210	65	10	17	
902923	M16	195	115	160	45	13	19	25.000
902924		245	145	210	65	13	19	
902925	M20	195	115	160	45	17	24	25.000
902926		245	145	210	65	17	24	
902927	M24	195	115	160	45	19	30	25.000
902928		245	145	210	65	19	30	
902929	M30	195	115	160	45	24	36	25.000
902930		245	145	210	65	24	36	
902931		305	205	270	65	24	36	
902932	M36	195	115	160	45	30	42	25.000
902933		245	145	210	65	30	42	
902934		305	205	270	65	30	42	



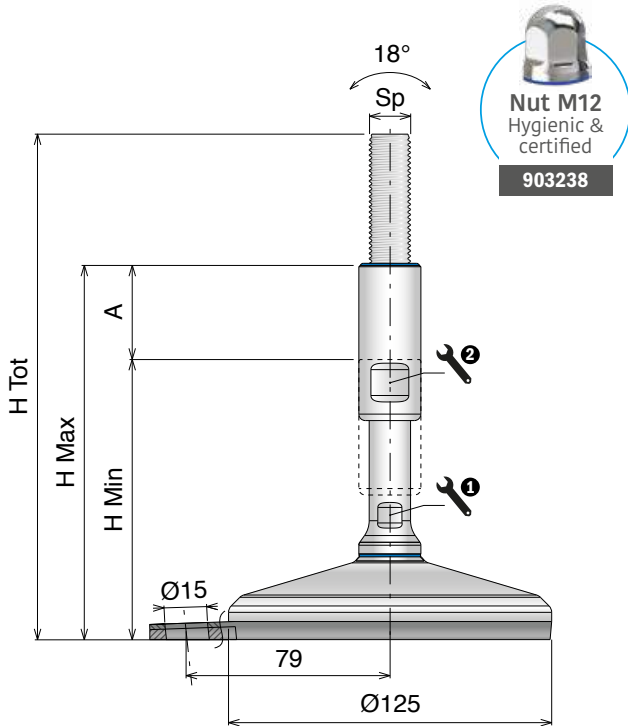
C500 Series

Piedi di livellamento / Leveling feet / Nivellierfüße

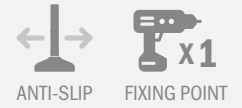
On request vulcanized rubber can be provided
white or blue and spindle can be made in AISI 316.

Materiale / Material / Materialien:

Base, stelo, rondella e boccola: Acciaio inox
Base plate, spindle, washer and cover: Stainless steel
Fussplatte, Spindel, Scheibe und Hülse: Edelstahl



Ø125
DIAMETER (mm)



Art-Nr.	Sp	H Tot (mm)	H Min (mm)	H Max (mm)	A (mm)	1 (mm)	2 (mm)	Load (N)
902935	M12	195	115	160	45	10	17	12.000
902936		245	145	210	65	10	17	
902937	M16	195	115	160	45	13	19	30.000
902938		245	145	210	65	13	19	
902939	M20	195	115	160	45	17	24	30.000
902940		245	145	210	65	17	24	
902941	M24	195	115	160	45	19	30	30.000
902942		245	145	210	65	19	30	
902943	M30	195	115	160	45	24	36	30.000
902944		245	145	210	65	24	36	
902945		305	205	270	65	24	36	
902946	M36	195	115	160	45	30	42	30.000
902947		245	145	210	65	30	42	
902948		305	205	270	65	30	42	



CERTIFIED PRODUCTS
ASK FOR CERTIFICATION:
certificate@movexii.com

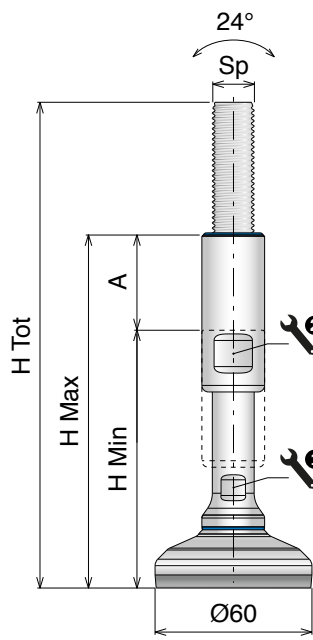
Materiale / Material / Materialien:

Base, stelo e boccia: Acciaio inox
 Base plate, spindle and cover: Stainless steel
 Fussplatte, Spindel und Hülse: Edelstahl

On request vulcanized rubber can be provided
 white or blue and spindle can be made in AISI 316.

C500 SPLIT

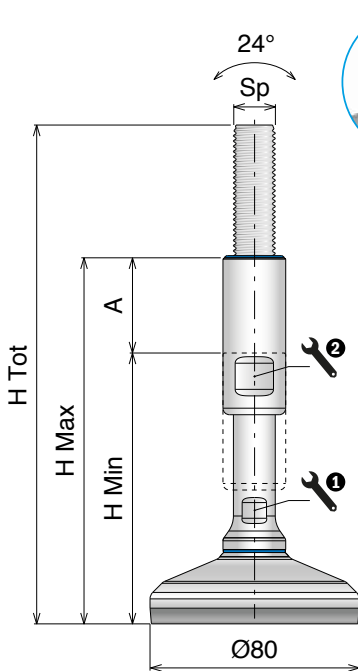
Piedi di livellamento / Leveling feet / Nivellierfüße



Ø60
 DIAMETER (mm)



Art-Nr.	Sp	H Tot (mm)	H Min (mm)	H Max (mm)	A (mm)	1 (mm)	2 (mm)	Load (N)
902949	M12	185	105	150	45	10	17	4.500
902950		235	135	200	65	10	17	
902951	M16	185	105	150	45	13	19	4.500
902952		235	135	200	65	13	19	
902953	M20	185	105	150	45	17	24	4.500
902954		235	135	200	65	17	24	
902955	M24	185	105	150	45	19	30	4.500
902956		235	135	200	65	19	30	
902957	M30	185	105	150	45	24	36	4.500
902958		235	135	200	65	24	36	
902959		295	195	260	65	24	36	
902960	M36	185	105	150	45	30	42	4.500
902961		235	135	200	65	30	42	
902962		295	195	260	65	30	42	



Ø80
 DIAMETER (mm)



Art-Nr.	Sp	H Tot (mm)	H Min (mm)	H Max (mm)	A (mm)	1 (mm)	2 (mm)	Load (N)
902963	M12	190	110	155	45	10	17	12.000
902964		240	140	205	65	10	17	
902965	M16	190	110	155	45	13	19	15.000
902966		240	140	205	65	13	19	
902967	M20	190	110	155	45	17	24	15.000
902968		240	140	205	65	17	24	
902969	M24	190	110	155	45	19	30	15.000
902970		240	140	205	65	19	30	
902971	M30	190	110	155	45	24	36	15.000
902972		240	140	205	65	24	36	
902973		300	200	265	65	24	36	
902974	M36	190	110	155	45	30	42	15.000
902975		240	140	205	65	30	42	
902976		300	200	265	65	30	42	



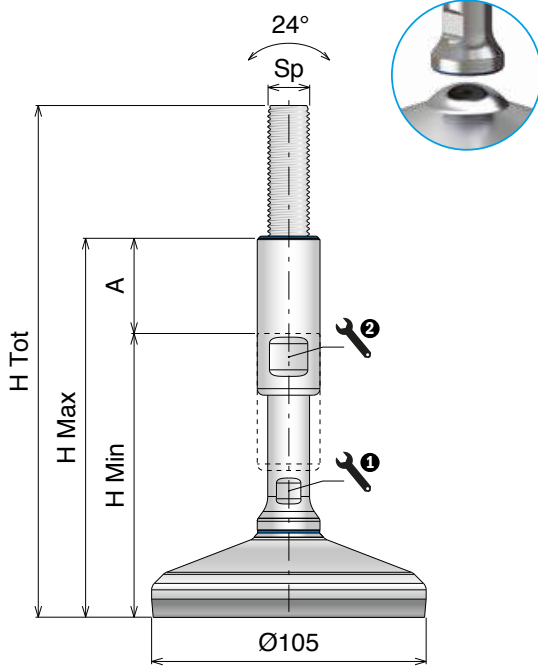
CERTIFIED PRODUCTS
 ASK FOR CERTIFICATION:
certificate@movexii.com

C500 SPLIT

Piedi di livellamento / Leveling feet / Nivellierfüße

On request vulcanized rubber can be provided
white or blue and spindle can be made in AISI 316.

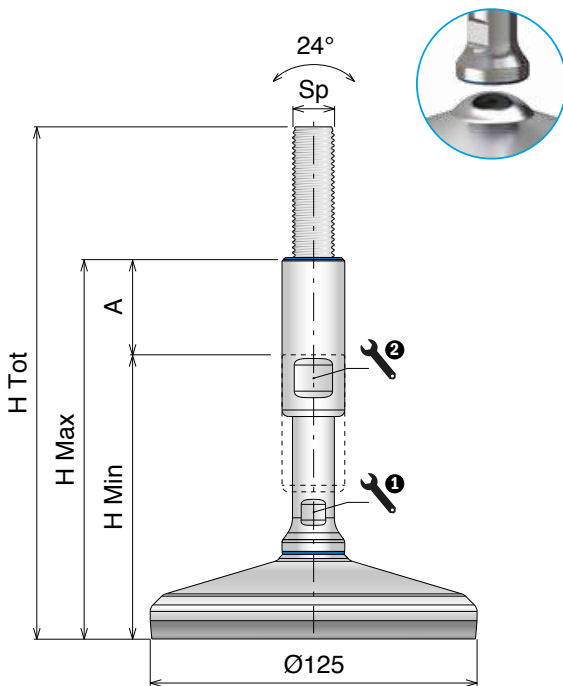
Materiale / Material / Materialien:
Base, stelo e boccia: Acciaio inox
Base plate, spindle and cover: Stainless steel
Fussplatte, Spindel und Hülse: Edelstahl



Ø105
DIAMETER (mm)



Art-Nr.	Sp	H Tot (mm)	H Min (mm)	H Max (mm)	A (mm)	1 (mm)	2 (mm)	Load (N)
902977	M12	195	115	160	45	10	17	12.000
902978		245	145	210	65	10	17	
902979	M16	195	115	160	45	13	19	25.000
902980		245	145	210	65	13	19	
902981	M20	195	115	160	45	17	24	25.000
902982		245	145	210	65	17	24	
902983	M24	195	115	160	45	19	30	25.000
902984		245	145	210	65	19	30	
902985	M30	195	115	160	45	24	36	25.000
902986		245	145	210	65	24	36	
902987		305	205	270	65	24	36	
902988	M36	195	115	160	45	30	42	25.000
902989		245	145	210	65	30	42	
902990		305	205	270	65	30	42	



Ø125
DIAMETER (mm)



Art-Nr.	Sp	H Tot (mm)	H Min (mm)	H Max (mm)	A (mm)	1 (mm)	2 (mm)	Load (N)
902991	M12	195	115	160	45	10	17	12.000
902992		245	145	210	65	10	17	
902993	M16	195	115	160	45	13	19	30.000
902994		245	145	210	65	13	19	
902995	M20	195	115	160	45	17	24	30.000
902996		245	145	210	65	17	24	
902997	M24	195	115	160	45	19	30	30.000
902998		245	145	210	65	19	30	
902999	M30	195	115	160	45	24	36	30.000
903000		245	145	210	65	24	36	
903001		305	205	270	65	24	36	
903002	M36	195	115	160	45	30	42	30.000
903003		245	145	210	65	30	42	
903004		305	205	270	65	30	42	



CERTIFIED PRODUCTS
ASK FOR CERTIFICATION:
certificate@movexii.com

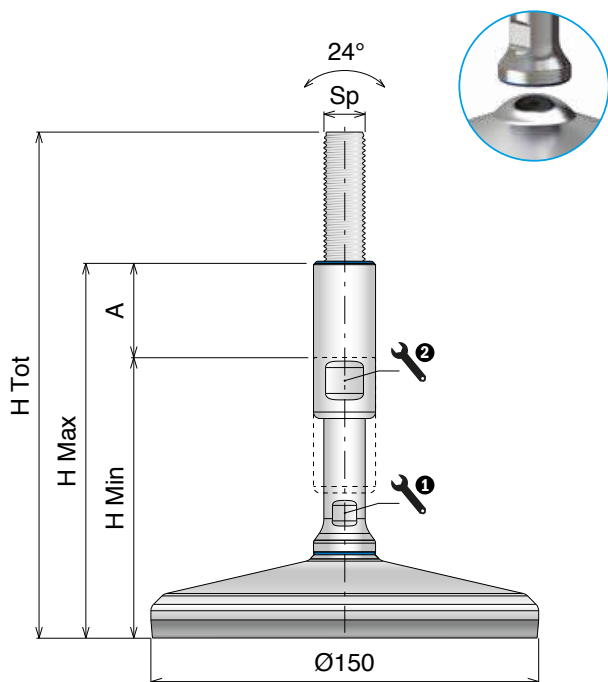
Materiale / Material / Materialien:

Base, stelo e boccia: Acciaio inox
 Base plate, spindle and cover: Stainless steel
 Fussplatte, Spindel und Hülse: Edelstahl

On request vulcanized rubber can be provided
 white or blue and spindle can be made in AISI 316.

C500 SPLIT

Piedi di livellamento / Leveling feet / Nivellierfüße



Ø150
DIAMETER (mm)



Art-Nr.	Sp	H Tot (mm)	H Min (mm)	H Max (mm)	A (mm)	1 (mm)	2 (mm)	Load (N)
903005	M12	195	115	160	45	10	17	12.000
903006		245	145	210	65	10	17	
903007	M16	195	115	160	45	13	19	30.000
903008		245	145	210	65	13	19	
903009	M20	195	115	160	45	17	24	45.000
903010		245	145	210	65	17	24	
903011	M24	195	115	160	45	19	30	45.000
903012		245	145	210	65	19	30	
903013	M30	195	115	160	45	24	36	45.000
903014		245	145	210	65	24	36	
903015		305	205	270	65	24	36	
903016	M36	195	115	160	45	30	42	45.000
903017		245	145	210	65	30	42	
903018		305	205	270	65	30	42	



CERTIFIED PRODUCTS
 ASK FOR CERTIFICATION:
certificate@movexii.com

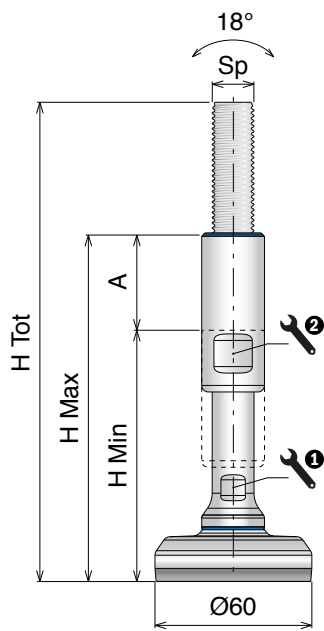
C500 HEAVY

Piedi di livellamento / Leveling feet / Nivellierfüße

On request vulcanized rubber can be provided
white or blue and spindle can be made in AISI 316.

Materiale / Material / Materialien:

Base, stelo, rondella e boccola: Acciaio inox
Base plate, spindle, washer and cover: Stainless steel
Fussplatte, Spindel, Scheibe und Hülse: Edelstahl



Ø60

DIAMETER (mm)

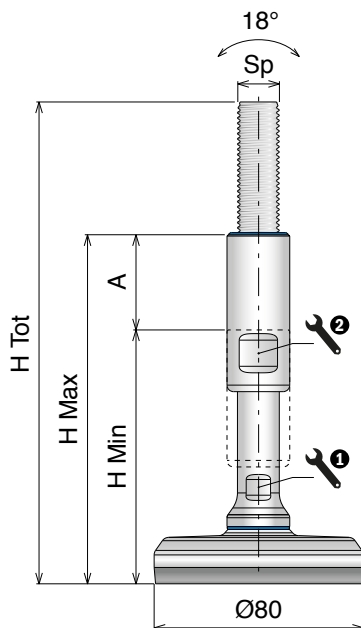


HIGH LOAD



ANTI-SLIP

Art-Nr.	Sp	H Tot (mm)	H Min (mm)	H Max (mm)	A (mm)	1 (mm)	2 (mm)	Load (N)
903019	M12	182,5	102,5	147,5	45	10	17	12.000
903020		232,5	132,5	197,5	65	10	17	
903021	M16	182,5	102,5	147,5	45	13	19	30.000
903022		232,5	132,5	197,5	65	13	19	
903023	M20	182,5	102,5	147,5	45	17	24	45.000
903024		232,5	132,5	197,5	65	17	24	
903025	M24	182,5	102,5	147,5	45	19	30	60.000
903026		232,5	132,5	197,5	65	19	30	
903027	M30	182,5	102,5	147,5	45	24	36	60.000
903028		232,5	132,5	197,5	65	24	36	
903029		292,5	192,5	257,5	65	24	36	
903030	M36	182,5	102,5	147,5	45	30	42	60.000
903031		232,5	132,5	197,5	65	30	42	
903032		292,5	192,5	257,5	65	30	42	



Ø80

DIAMETER (mm)



HIGH LOAD



ANTI-SLIP

Art-Nr.	Sp	H Tot (mm)	H Min (mm)	H Max (mm)	A (mm)	1 (mm)	2 (mm)	Load (N)
903033	M12	183,5	103,5	148,5	45	10	17	12.000
903034		233,5	133,5	198,5	65	10	17	
903035	M16	183,5	103,5	148,5	45	13	19	30.000
903036		233,5	133,5	198,5	65	13	19	
903037	M20	183,5	103,5	148,5	45	17	24	45.000
903038		233,5	133,5	198,5	65	17	24	
903039	M24	183,5	103,5	148,5	45	19	30	70.000
903040		233,5	133,5	198,5	65	19	30	
903041	M30	183,5	103,5	148,5	45	24	36	80.000
903042		233,5	133,5	198,5	65	24	36	
903043		293,5	193,5	258,5	65	24	36	
903044	M36	183,5	103,5	148,5	45	30	42	80.000
903045		233,5	133,5	198,5	65	30	42	
903046		293,5	193,5	258,5	65	30	42	



CERTIFIED PRODUCTS

ASK FOR CERTIFICATION:
certificate@movexii.com

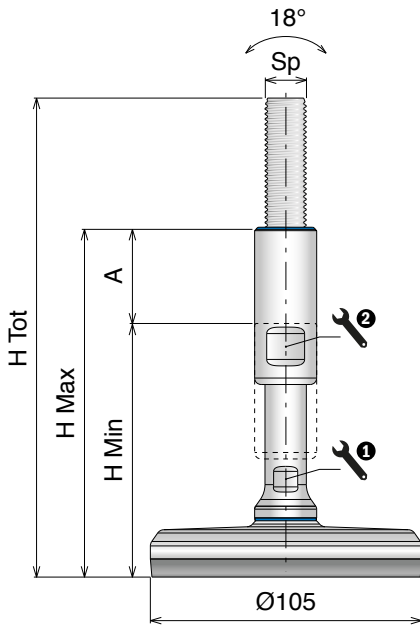
Materiale / Material / Materialien:

Base, stelo, rondella e boccia: Acciaio inox
 Base plate, spindle, washer and cover: Stainless steel
 Fussplatte, Spindel, Scheibe und Hülse: Edelstahl

On request vulcanized rubber can be provided
 white or blue and spindle can be made in AISI 316.

C500 HEAVY

Piedi di livellamento / Leveling feet / Nivellierfüße

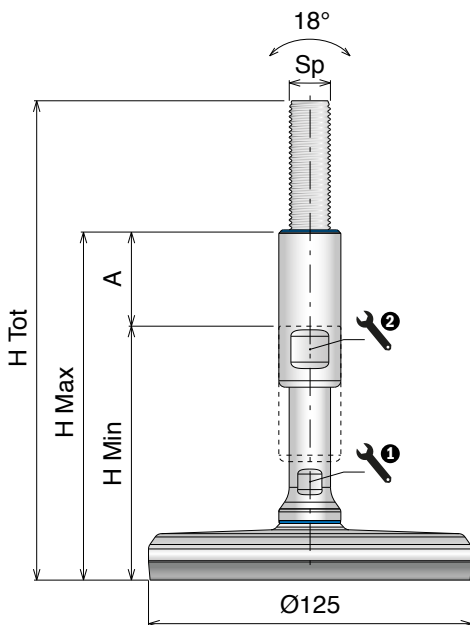


Ø105

DIAMETER (mm)



Art-Nr.	Sp	H Tot (mm)	H Min (mm)	H Max (mm)	A (mm)	1 (mm)	2 (mm)	Load (N)
903047	M12	184,5	104,5	149,5	45	10	17	12.000
903048		234,5	134,5	199,5	65	10	17	
903049	M16	184,5	104,5	149,5	45	13	19	30.000
903050		234,5	134,5	199,5	65	13	19	
903051	M20	184,5	104,5	149,5	45	17	24	45.000
903052		234,5	134,5	199,5	65	17	24	
903053	M24	184,5	104,5	149,5	45	19	30	70.000
903054		234,5	134,5	199,5	65	19	30	
903055	M30	184,5	104,5	149,5	45	24	36	100.000
903056		234,5	134,5	199,5	65	24	36	
903057		294,5	194,5	259,5	65	24	36	
903058	M36	184,5	104,5	149,5	45	30	42	120.000
903059		234,5	134,5	199,5	65	30	42	
903060		294,5	194,5	259,5	65	30	42	



Ø125

DIAMETER (mm)



Art-Nr.	Sp	H Tot (mm)	H Min (mm)	H Max (mm)	A (mm)	1 (mm)	2 (mm)	Load (N)
903061	M12	184,5	104,5	149,5	45	10	17	12.000
903062		234,5	134,5	199,5	65	10	17	
903063	M16	184,5	104,5	149,5	45	13	19	30.000
903064		234,5	134,5	199,5	65	13	19	
903065	M20	184,5	104,5	149,5	45	17	24	45.000
903066		234,5	134,5	199,5	65	17	24	
903067	M24	184,5	104,5	149,5	45	19	30	70.000
903068		234,5	134,5	199,5	65	19	30	
903069	M30	184,5	104,5	149,5	45	24	36	100.000
903070		234,5	134,5	199,5	65	24	36	
903071		294,5	194,5	259,5	65	24	36	
903072	M36	184,5	104,5	149,5	45	30	42	130.000
903073		234,5	134,5	199,5	65	30	42	
903074		294,5	194,5	259,5	65	30	42	



CERTIFIED PRODUCTS
 ASK FOR CERTIFICATION:
certificate@movexii.com

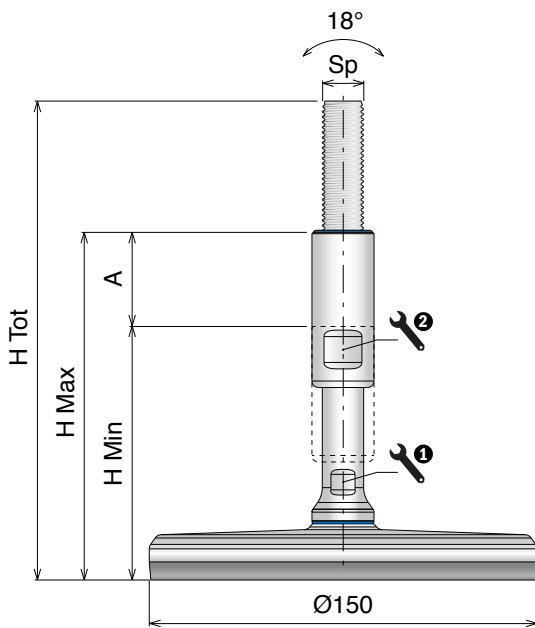
C500 HEAVY

Piedi di livellamento / Leveling feet / Nivellierfüße

On request vulcanized rubber can be provided
white or blue and spindle can be made in AISI 316.

Materiale / Material / Materialien:

Base, stelo, rondella e boccola: Acciaio inox
Base plate, spindle, washer and cover: Stainless steel
Fussplatte, Spindel, Scheibe und Hülse: Edelstahl



Ø 150

DIAMETER (mm)

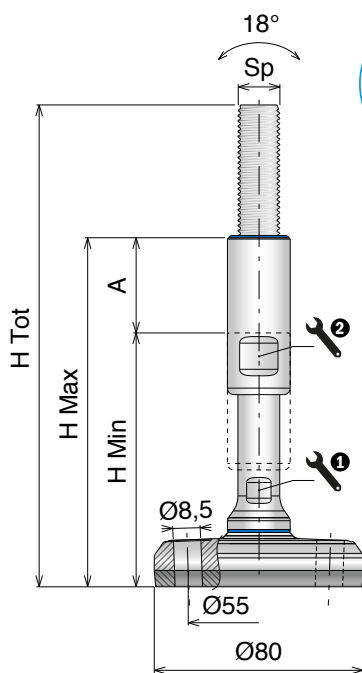


HIGH LOAD



ANTI-SLIP

Art-Nr.	Sp	H Tot (mm)	H Min (mm)	H Max (mm)	A (mm)	1 (mm)	2 (mm)	Load (N)
903075	M12	184,5	104,5	149,5	45	10	17	12.000
903076		234,5	134,5	199,5	65	10	17	
903077	M16	184,5	104,5	149,5	45	13	19	30.000
903078		234,5	134,5	199,5	65	13	19	
903079	M20	184,5	104,5	149,5	45	17	24	45.000
903080		234,5	134,5	199,5	65	17	24	
903081	M24	184,5	104,5	149,5	45	19	30	70.000
903082		234,5	134,5	199,5	65	19	30	
903083	M30	184,5	104,5	149,5	45	24	36	100.000
903084		234,5	134,5	199,5	65	24	36	
903085		294,5	194,5	259,5	65	24	36	
903086	M36	184,5	104,5	149,5	45	30	42	150.000
903087		234,5	134,5	199,5	65	30	42	
903088		294,5	194,5	259,5	65	30	42	



Nut M8
Hygienic & certified

903236

Ø 80

DIAMETER (mm)



HIGH LOAD



FIXING POINT



ANTI-SLIP

Art-Nr.	Sp	H Tot (mm)	H Min (mm)	H Max (mm)	A (mm)	1 (mm)	2 (mm)	Load (N)
903103	M12	183,5	103,5	148,5	45	10	17	12.000
903104		233,5	133,5	198,5	65	10	17	
903105	M16	183,5	103,5	148,5	45	13	19	30.000
903106		233,5	133,5	198,5	65	13	19	
903107	M20	183,5	103,5	148,5	45	17	24	45.000
903108		233,5	133,5	198,5	65	17	24	
903109	M24	183,5	103,5	148,5	45	19	30	70.000
903110		233,5	133,5	198,5	65	19	30	
903111	M30	183,5	103,5	148,5	45	24	36	80.000
903112		233,5	133,5	198,5	65	24	36	
903113		293,5	193,5	258,5	65	24	36	
903114	M36	183,5	103,5	148,5	45	30	42	80.000
903115		233,5	133,5	198,5	65	30	42	
903116		293,5	193,5	258,5	65	30	42	



CERTIFIED PRODUCTS
ASK FOR CERTIFICATION:
certificate@movexii.com

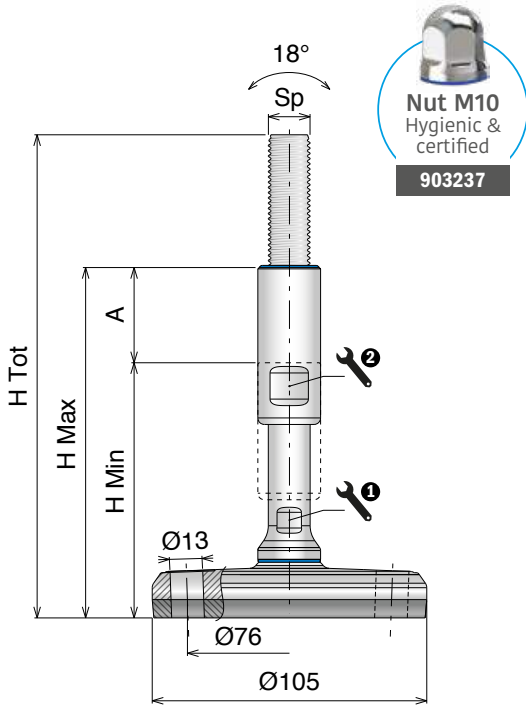
Materiale / Material / Materialien:

Base, stelo, rondella e boccia: Acciaio inox
 Base plate, spindle, washer and cover: Stainless steel
 Fussplatte, Spindel, Scheibe und Hülse: Edelstahl

On request vulcanized rubber can be provided
 white or blue and spindle can be made in AISI 316.

C500 HEAVY

Piedi di livellamento / Leveling feet / Nivellierfüße



Nut M10
 Hygienic &
 certified
 903237

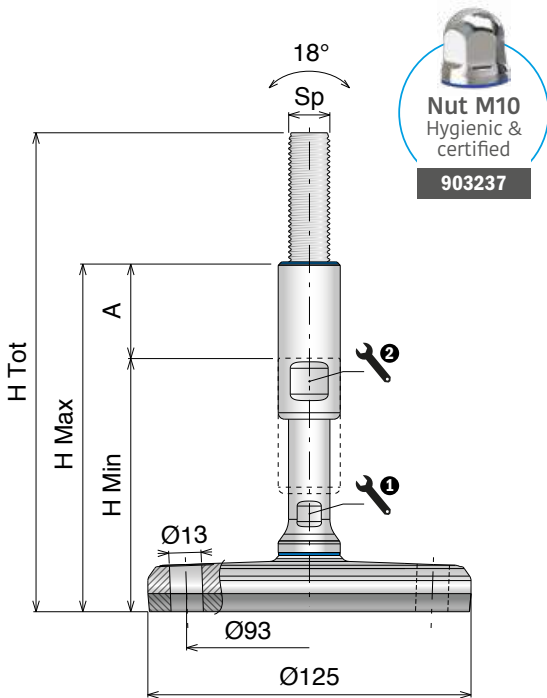
Ø105
 DIAMETER (mm)

Kg
 HIGH LOAD

X2
 FIXING POINT

←→
 ANTI-SLIP

Art-Nr.	Sp	H Tot (mm)	H Min (mm)	H Max (mm)	A (mm)	1 (mm)	2 (mm)	Load (N)
903117	M12	184,5	104,5	149,5	45	10	17	12.000
903118		234,5	134,5	199,5	65	10	17	
903119	M16	184,5	104,5	149,5	45	13	19	30.000
903120		234,5	134,5	199,5	65	13	19	
903121	M20	184,5	104,5	149,5	45	17	24	45.000
903122		234,5	134,5	199,5	65	17	24	
903123	M24	184,5	104,5	149,5	45	19	30	70.000
903124		234,5	134,5	199,5	65	19	30	
903125	M30	184,5	104,5	149,5	45	24	36	100.000
903126		234,5	134,5	199,5	65	24	36	
903127		294,5	194,5	259,5	65	24	36	
903128	M36	184,5	104,5	149,5	45	30	42	120.000
903129		234,5	134,5	199,5	65	30	42	
903130		294,5	194,5	259,5	65	30	42	



Nut M10
 Hygienic &
 certified
 903237

Ø125
 DIAMETER (mm)

Kg
 HIGH LOAD

X2
 FIXING POINT

←→
 ANTI-SLIP

Art-Nr.	Sp	H Tot (mm)	H Min (mm)	H Max (mm)	A (mm)	1 (mm)	2 (mm)	Load (N)
903131	M12	184,5	104,5	149,5	45	10	17	12.000
903132		234,5	134,5	199,5	65	10	17	
903133	M16	184,5	104,5	149,5	45	13	19	30.000
903134		234,5	134,5	199,5	65	13	19	
903135	M20	184,5	104,5	149,5	45	17	24	45.000
903136		234,5	134,5	199,5	65	17	24	
903137	M24	184,5	104,5	149,5	45	19	30	70.000
903138		234,5	134,5	199,5	65	19	30	
903139	M30	184,5	104,5	149,5	45	24	36	100.000
903140		234,5	134,5	199,5	65	24	36	
903141		294,5	194,5	259,5	65	24	36	
903142	M36	184,5	104,5	149,5	45	30	42	130.000
903143		234,5	134,5	199,5	65	30	42	
903144		294,5	194,5	259,5	65	30	42	

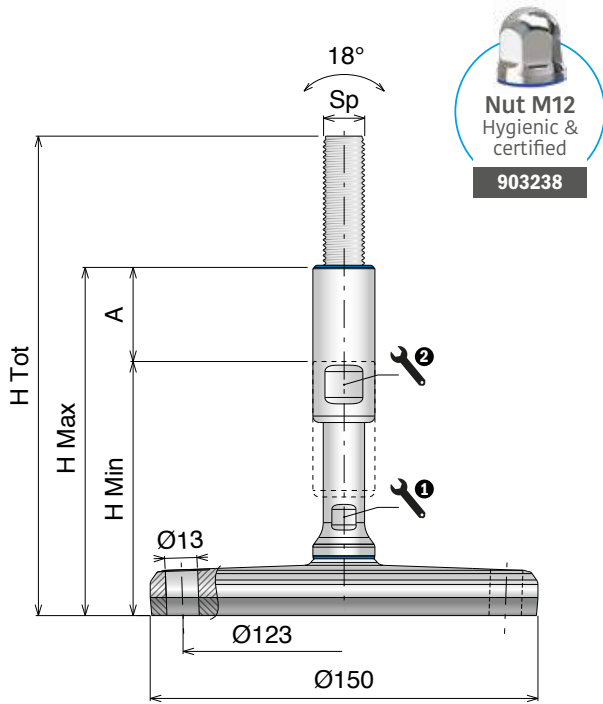
C500 HEAVY

Piedi di livellamento / Leveling feet / Nivellierfüße

On request vulcanized rubber can be provided
white or blue and spindle can be made in AISI 316.

Materiale / Material / Materialien:

Base, stelo, rondella e boccola: Acciaio inox
Base plate, spindle, washer and cover: Stainless steel
Fussplatte, Spindel, Scheibe und Hülse: Edelstahl



Ø 150
DIAMETER (mm)

Kg
HIGH LOAD

x2
FIXING POINT

← →
ANTI-SLIP

Art-Nr.	Sp	H Tot (mm)	H Min (mm)	H Max (mm)	A (mm)	1 (mm)	2 (mm)	Load (N)
903145	M12	184,5	104,5	149,5	45	10	17	12.000
903146		234,5	134,5	199,5	65	10	17	
903147	M16	184,5	104,5	149,5	45	13	19	30.000
903148		234,5	134,5	199,5	65	13	19	
903149	M20	184,5	104,5	149,5	45	17	24	45.000
903150		234,5	134,5	199,5	65	17	24	
903151	M24	184,5	104,5	149,5	45	19	30	70.000
903152		234,5	134,5	199,5	65	19	30	
903153	M30	184,5	104,5	149,5	45	24	36	100.000
903154		234,5	134,5	199,5	65	24	36	
903155		294,5	194,5	259,5	65	24	36	
903156	M36	184,5	104,5	149,5	45	30	42	150.000
903157		234,5	134,5	199,5	65	30	42	
903158		294,5	194,5	259,5	65	30	42	



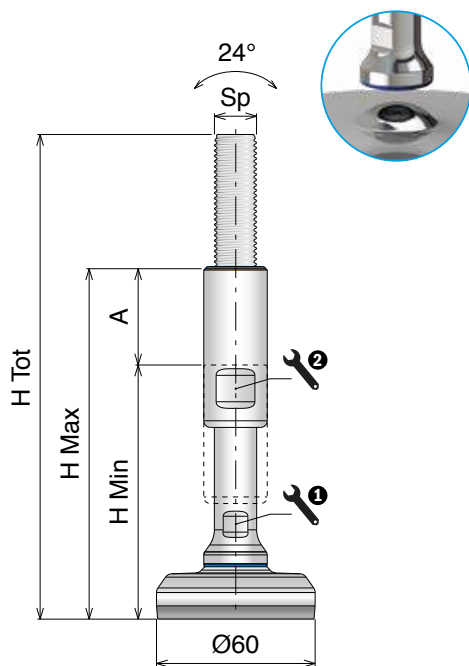
CERTIFIED PRODUCTS
ASK FOR CERTIFICATION:
certificate@movexii.com

Materiale / Material / Materialien:
 Base, stelo e boccia: Acciaio inox
 Base plate, spindle and cover: Stainless steel
 Fussplatte, Spindel und Hülse: Edelstahl

On request vulcanized rubber can be provided
 white or blue and spindle can be made in AISI 316.

C500 HEAVY-SPLIT

Piedi di livellamento / Leveling feet / Nivellierfüße



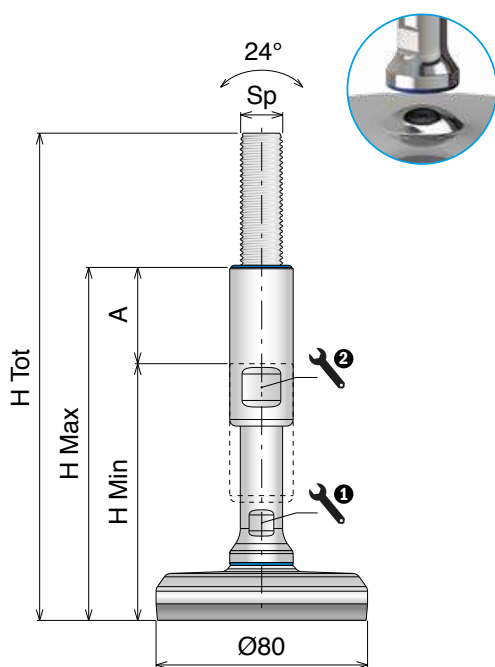
Ø60
 DIAMETER (mm)

Kg
 HIGH LOAD

Slit Version
 SLIT VERSION

Anti-Slip
 ANTI-SLIP

Art-Nr.	Sp	H Tot (mm)	H Min (mm)	H Max (mm)	A (mm)	1 (mm)	2 (mm)	Load (N)
903159	M12	182,5	102,5	147,5	45	10	17	12.000
903160		232,5	132,5	197,5	65	10	17	
903161	M16	182,5	102,5	147,5	45	13	19	30.000
903162		232,5	132,5	197,5	65	13	19	
903163	M20	182,5	102,5	147,5	45	17	24	45.000
903164		232,5	132,5	197,5	65	17	24	
903165	M24	182,5	102,5	147,5	45	19	30	60.000
903166		232,5	132,5	197,5	65	19	30	
903167	M30	182,5	102,5	147,5	45	24	36	60.000
903168		232,5	132,5	197,5	65	24	36	
903169		292,5	192,5	257,5	65	24	36	
903170	M36	182,5	102,5	147,5	45	30	42	60.000
903171		232,5	132,5	197,5	65	30	42	
903172		292,5	192,5	257,5	65	30	42	



Ø80
 DIAMETER (mm)

Kg
 HIGH LOAD

Slit Version
 SLIT VERSION

Anti-Slip
 ANTI-SLIP

Art-Nr.	Sp	H Tot (mm)	H Min (mm)	H Max (mm)	A (mm)	1 (mm)	2 (mm)	Load (N)
903173	M12	183,5	103,5	148,5	45	10	17	12.000
903174		233,5	133,5	198,5	65	10	17	
903175	M16	183,5	103,5	148,5	45	13	19	30.000
903176		233,5	133,5	198,5	65	13	19	
903177	M20	183,5	103,5	148,5	45	17	24	45.000
903178		233,5	133,5	198,5	65	17	24	
903179	M24	183,5	103,5	148,5	45	19	30	70.000
903180		233,5	133,5	198,5	65	19	30	
903181	M30	183,5	103,5	148,5	45	24	36	80.000
903182		233,5	133,5	198,5	65	24	36	
903183		293,5	193,5	258,5	65	24	36	
903184	M36	183,5	103,5	148,5	45	30	42	80.000
903185		233,5	133,5	198,5	65	30	42	
903186		293,5	193,5	258,5	65	30	42	

C500 HEAVY-SPLIT

Piedi di livellamento / Leveling feet / Nivellierfüße

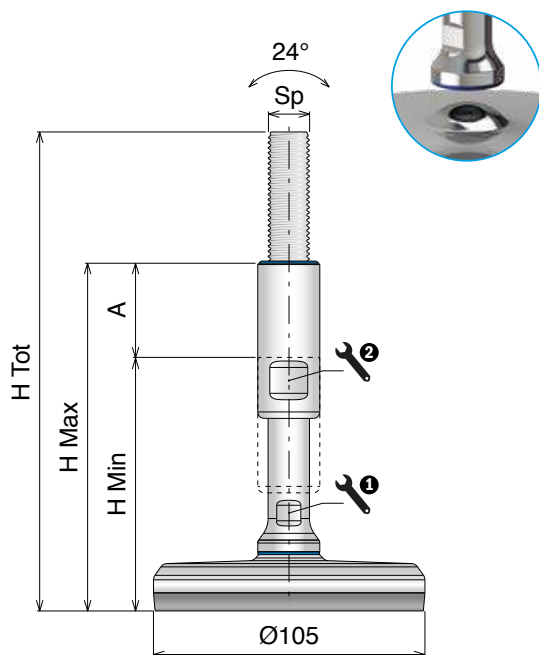
On request vulcanized rubber can be provided
white or blue and spindle can be made in AISI 316.

Materiale / Material / Materialien:

Base, stelo e boccola: Acciaio inox

Base plate, spindle and cover: Stainless steel

Fussplatte, Spindel und Hülse: Edelstahl



Ø105

DIAMETER (mm)



HIGH LOAD

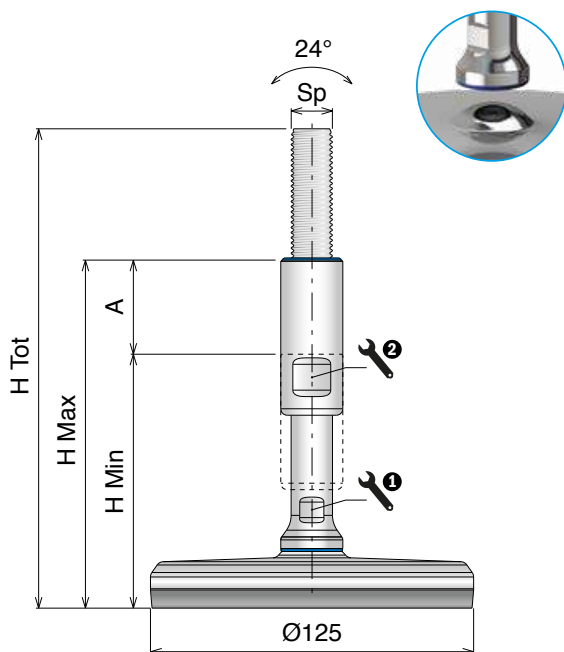


SLIT VERSION



ANTI-SLIP

Art-Nr.	Sp	H Tot (mm)	H Min (mm)	H Max (mm)	A (mm)	1 (mm)	2 (mm)	Load (N)
903187	M12	184,5	104,5	149,5	45	10	17	12.000
903188		234,5	134,5	199,5	65	10	17	
903189	M16	184,5	104,5	149,5	45	13	19	30.000
903190		234,5	134,5	199,5	65	13	19	
903191	M20	184,5	104,5	149,5	45	17	24	45.000
903192		234,5	134,5	199,5	65	17	24	
903193	M24	184,5	104,5	149,5	45	19	30	70.000
903194		234,5	134,5	199,5	65	19	30	
903195	M30	184,5	104,5	149,5	45	24	36	100.000
903196		234,5	134,5	199,5	65	24	36	
903197		294,5	194,5	259,5	65	24	36	
903198	M36	184,5	104,5	149,5	45	30	42	120.000
903199		234,5	134,5	199,5	65	30	42	
903200		294,5	194,5	259,5	65	30	42	



Ø125

DIAMETER (mm)



HIGH LOAD



SLIT VERSION



ANTI-SLIP

Art-Nr.	Sp	H Tot (mm)	H Min (mm)	H Max (mm)	A (mm)	1 (mm)	2 (mm)	Load (N)
903201	M12	184,5	104,5	149,5	45	10	17	12.000
903202		234,5	134,5	199,5	65	10	17	
903203	M16	184,5	104,5	149,5	45	13	19	30.000
903204		234,5	134,5	199,5	65	13	19	
903205	M20	184,5	104,5	149,5	45	17	24	45.000
903206		234,5	134,5	199,5	65	17	24	
903207	M24	184,5	104,5	149,5	45	19	30	70.000
903208		234,5	134,5	199,5	65	19	30	
903209	M30	184,5	104,5	149,5	45	24	36	100.000
903210		234,5	134,5	199,5	65	24	36	
903211		294,5	194,5	259,5	65	24	36	
903212	M36	184,5	104,5	149,5	45	30	42	130.000
903213		234,5	134,5	199,5	65	30	42	
903214		294,5	194,5	259,5	65	30	42	



CERTIFIED PRODUCTS

ASK FOR CERTIFICATION:
certificate@movexii.com

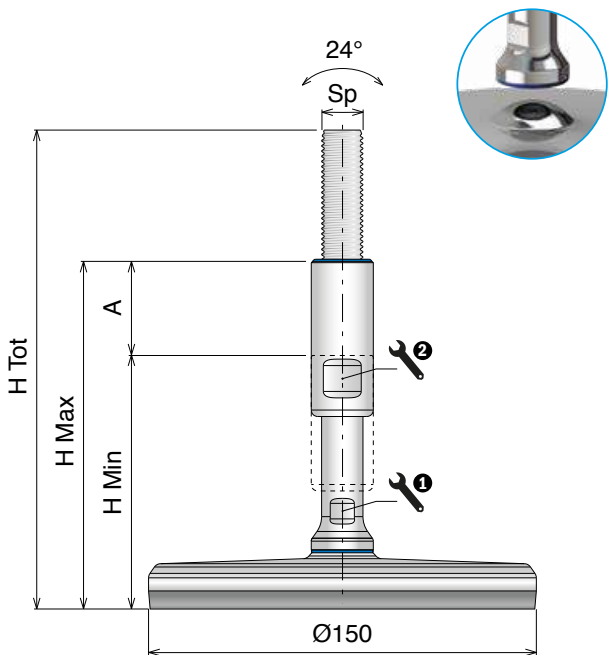
Materiale / Material / Materialien:

Base, stelo e boccia: Acciaio inox
 Base plate, spindle and cover: Stainless steel
 Fussplatte, Spindel und Hülse: Edelstahl

On request vulcanized rubber can be provided
 white or blue and spindle can be made in AISI 316.

C500 HEAVY-SPLIT

Piedi di livellamento / Leveling feet / Nivellierfüße



Ø 150
 DIAMETER (mm)



HIGH LOAD



SLIT VERSION



ANTI-SLIP

Art-Nr.	Sp	H Tot (mm)	H Min (mm)	H Max (mm)	A (mm)	1 (mm)	2 (mm)	Load (N)
903215	M12	184,5	104,5	149,5	45	10	17	12.000
903216		234,5	134,5	199,5	65	10	17	
903217	M16	184,5	104,5	149,5	45	13	19	30.000
903218		234,5	134,5	199,5	65	13	19	
903219	M20	184,5	104,5	149,5	45	17	24	45.000
903220		234,5	134,5	199,5	65	17	24	
903221	M24	184,5	104,5	149,5	45	19	30	70.000
903222		234,5	134,5	199,5	65	19	30	
903223	M30	184,5	104,5	149,5	45	24	36	100.000
903224		234,5	134,5	199,5	65	24	36	
903225		294,5	194,5	259,5	65	24	36	
903226	M36	184,5	104,5	149,5	45	30	42	150.000
903227		234,5	134,5	199,5	65	30	42	
903228		294,5	194,5	259,5	65	30	42	

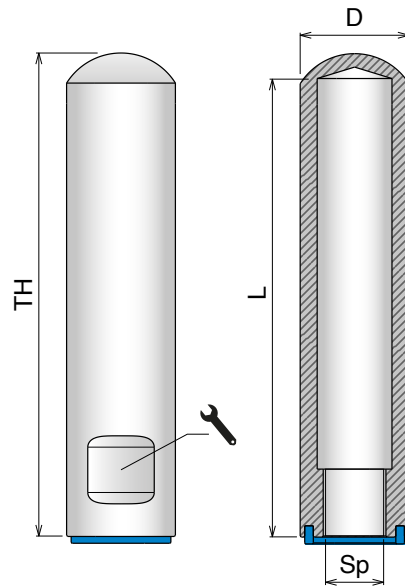


903 Boccola superiore certificata ed igienica Certified hygienic top cover / Zertifiziert hygienische Abdeckülse



Main features:

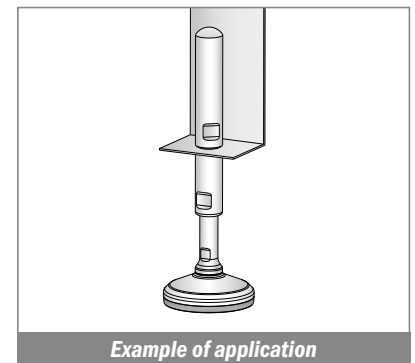
- Stainless steel AISI 304
- Blue seal for hermetic closure
- Perfect to protect the threaded spindle



Art-Nr.	Sp	D	TH	L	
903229	M12	Ø20	110	100	17
903230	M16	Ø24	110	100	19
903231	M20	Ø30	110	100	24
903232	M24	Ø34	110	100	30
903233	M30	Ø40	110	100	36
903234	M36	Ø46	110	100	42



CERTIFIED PRODUCTS
ASK FOR CERTIFICATION:
certificate@movexii.com

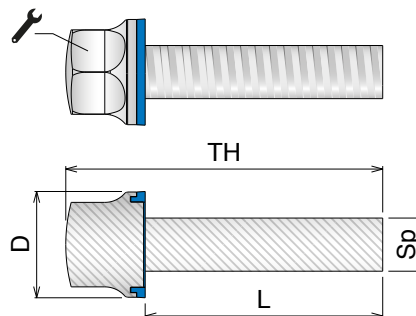


903 Vite igienica certificata ed igienica Certified hygienic screw / Zertifiziert hygienische Schraube



Main features:

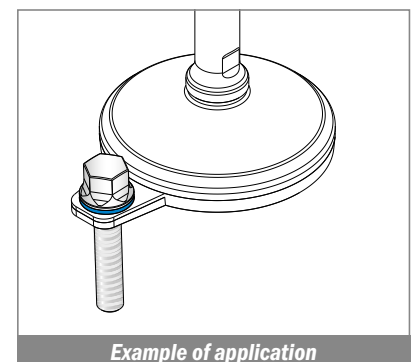
- Stainless steel AISI 304
- Blue seal for hermetic closure



Art-Nr.	Sp	D	TH	L		Box
903255	M8	16	58	45	13	10 pcs
903253	M10	20	60	45	16	10 pcs
903251	M12	24,5	78	60	18	10 pcs



CERTIFIED PRODUCTS
ASK FOR CERTIFICATION:
certificate@movexii.com

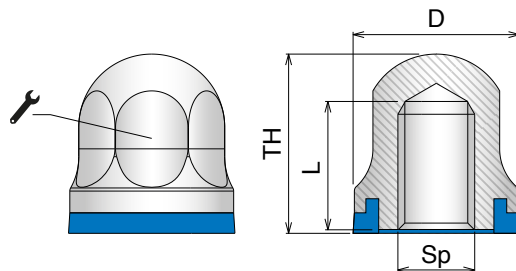


903 Dado certificato ed igienico Certified hygienic nut / Zertifiziert hygienische Hutmutter



Main features:

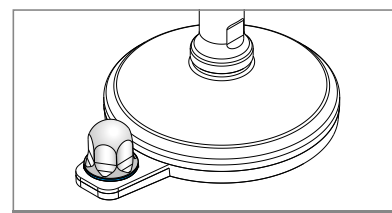
- Stainless steel AISI 304
- Blue seal for hermetic closure



Art-Nr.	Sp	D	TH	L		Box
903235	M6	13	14	10	10	10 pcs
903236	M8	16	17	12	13	10 pcs
903237	M10	20	20,5	15	16	10 pcs
903238	M12	24,5	25	18	18	10 pcs
903239	M16	32	32	23	24	10 pcs
903240	M20	39	38	27	30	10 pcs



CERTIFIED PRODUCTS
ASK FOR CERTIFICATION:
certificate@movexii.com



Example of application

998 Dado Nut / Sechskantmutter



Main features:

- Stainless steel (SS) or Zinc plated steel (FeZn)
- UNI 5588 - ISO 4032 - DIN 934

Art-Nr.	Art-Nr.	Sp	Box
SS	FeZn		
99801	99801Z	M10	50 pcs
99802	99802Z	M12	50 pcs
99804	99804Z	M16	10 pcs
99805	99805Z	M20	10 pcs
99806	99806Z	M24	5 pcs
99807	99807Z	M30	5 pcs
99808	99808Z	M36	5 pcs

996 Gomma anti-scivolo Anti-slip pad / Gummiplatte



Main features:

- High quality vulcanized anti-slip NBR rubber
- Suitable for leveling feet Basic, Articulated, Muscle and P400R series

Art-Nr.	For base
99601	Ø40
99602	Ø50
99603	Ø60
99604	Ø80
99605	Ø100
99607	Ø110
99606	Ø120
99608	Ø123

CORRELATED PRODUCTS

Support base



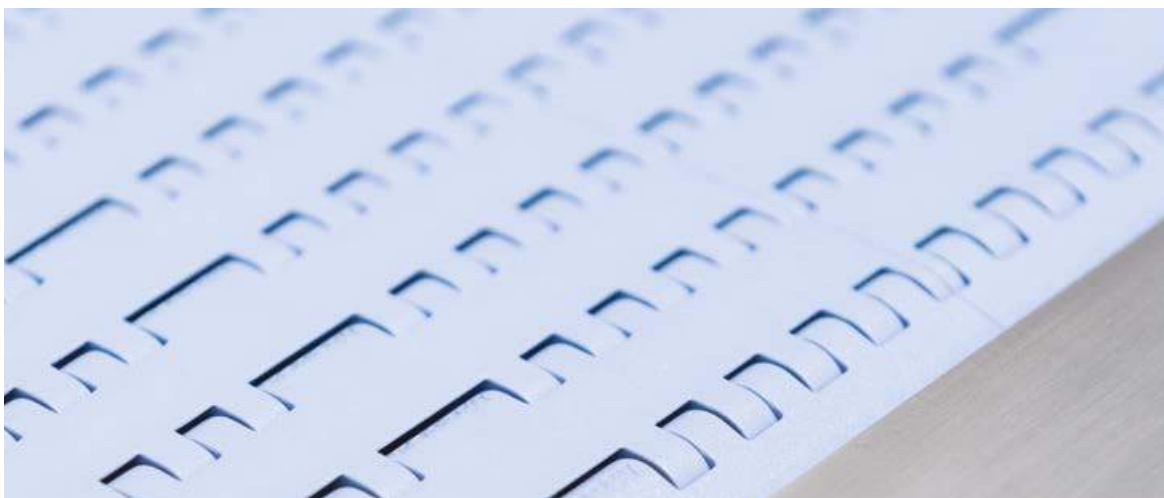
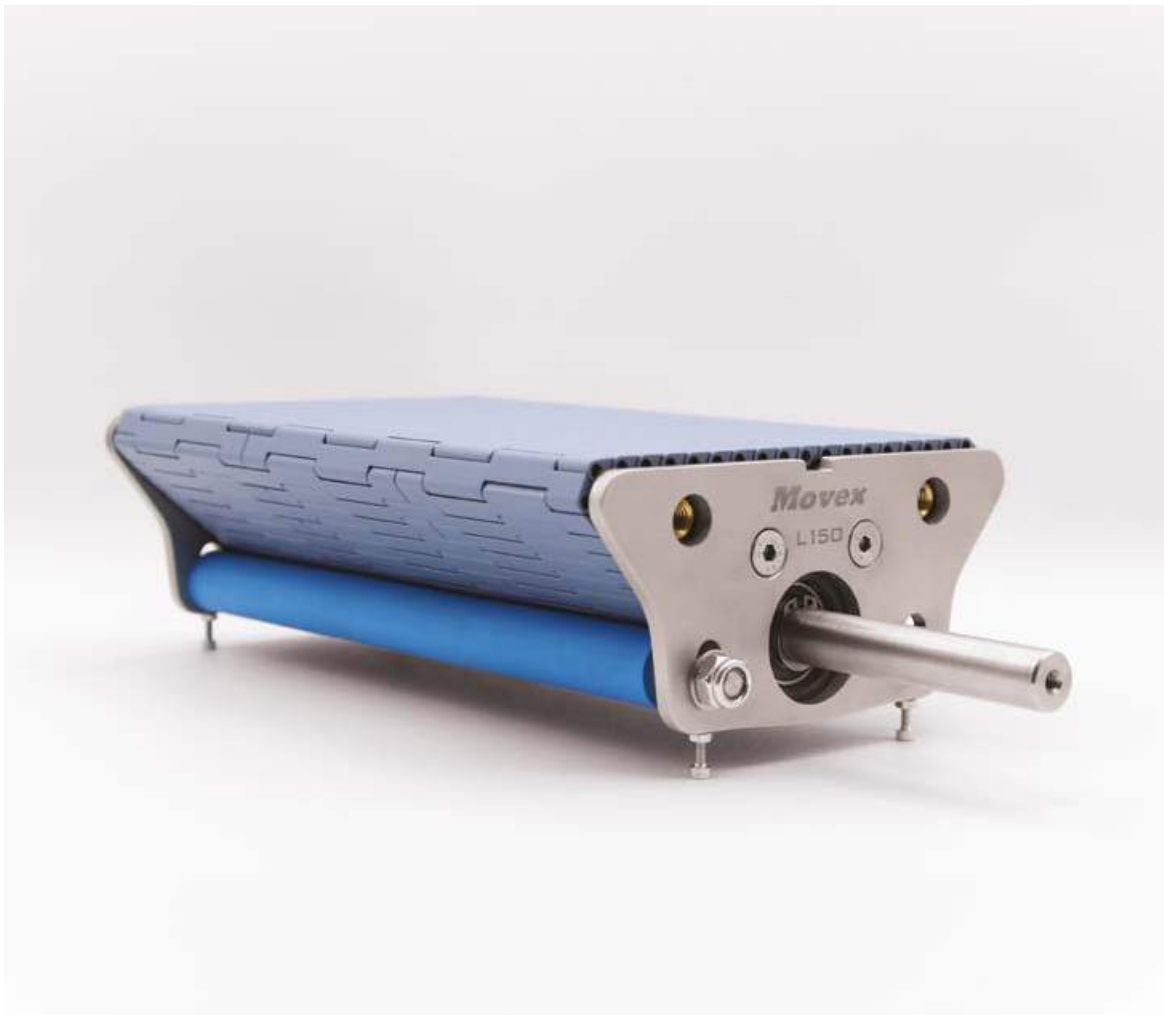
Page 218/219

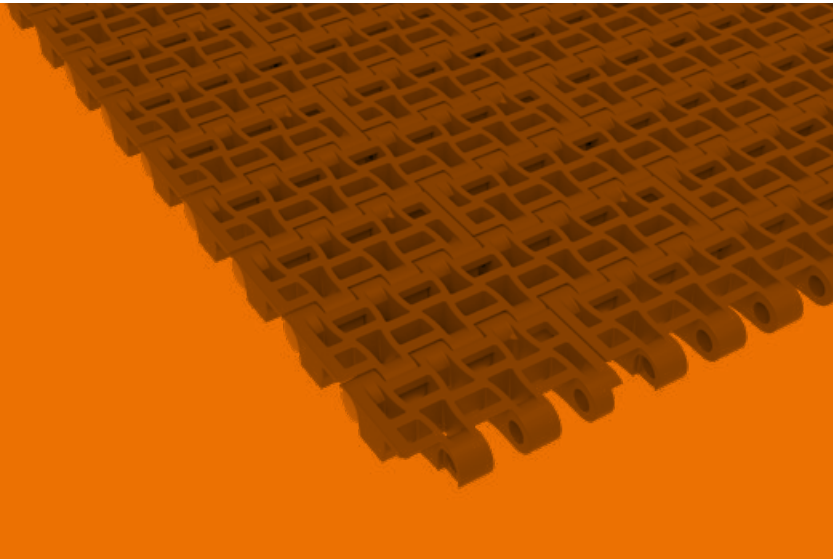
Threaded bushings

POLYAMIDE



Page 228/229





Materials chemical resistance

Materials resistance Pag 270->272	General Pag 273	PH-Range Pag 273	Extruded and machined materials Pag 273	Pin materials Pag 274
---	---------------------------	----------------------------	---	---------------------------------

Materials for chains and modular belts

POM	Low friction Acetal LF LFA LFB LFD Pag 275	Lubricated Acetal LFG LFN LFW Pag 275	Reinforced Acetal MPX MP Pag 276 Pag 277	DKM Pag 278	Antistatic Acetal AS Pag 279
-----	--	--	---	-----------------------	---



PBT	Performance Polybutylene terephthalate MX Pag 280	Extra-Performance Polybutylene terephthalate PFX Pag 281
-----	--	---

PP	Polypropylene PP PPB PPW Pag 282	Reinforced Polypropylene PPX Pag 283
----	---	---

PA	Polyamide composite MWX Pag 284	Polyamide composite PA Pag 285
----	--	---

PE	Polyethylene material PE Pag 286
----	---

Materials for sprockets

Machined  Polyamide PA Pag 287	Molded  Polyamide PA Pag 288
	Acetal POM Pag 288

Material chemical resistance

Resistenza chimica dei materiali / Materials chemical resistance / Chemische Beständigkeit der Materialien

LEGEND: ● Resistant | ● Conditionally Resistant | ● Not Resistant

Material chemical resistance

Substances		PBT	POM	PP	PE	PA
at norm climate conditions DIN50014, 23°C/50% r.a.h.		Modular Belts	Modular Belts	Modular Belts	Curves and guides Components	Sprockets Components & Belts
A	Acetamide 50%		●		●	●
	Acetic acid, aqueous solution 10%	●	●	●	●	●
	Acetic acid, aqueous solution 5%	●	●	●	●	●
	Acetic acid, concentrated	●	●	●	●	●
	Acetone	●	●	●	●	●
	Ammonia, aqueous solution 10%	●	●	●	●	●
	Anone			●	●	●
B	Benzene	●	●	●	●	●
	Benzine	●	●	●	●	●
	Bitumen		●	●	●	●
	Boric acid, aqueous solution 10%	●	●	●	●	●
	Butyl acetate	●	●	●	●	●
C	Calcium chloride, aqueous solution 10%	●	●	●	●	●
	Carbon tetrachloride	●	●	●	●	●
	Chlorbenzene	●	●	●	●	●
	Chloroform	●	●	●	●	●
	Citric acid, aqueous solution 10%	●	●	●	●	●
	Cupric (II) sulphate, 10%		●	●	●	●
	Cyclohexane	●	●	●	●	●
	Cyclohexanone	●	●	●	●	●
D	Diesel oil	●	●	●	●	●
	Dimethyl formamide	●	●	●	●	●
	Diethyl phthalate	●	●	●	●	●
	Dioxane	●	●	●	●	●
E	Edible fats, edible oils	●	●	●	●	●
	Ethanol 96%	●	●	●	●	●
	Ethyl ether	●	●	●	●	●
	Ethylacetate	●	●	●	●	●
	Ethylene chloride	●	●	●	●	●
F	Formaldehyde, aqueous solution 30%		●	●	●	●
	Formamide	●	●		●	●
	Formic acid, aqueous solution 10%	●	●	●	●	●
	Freon, frigen, liquid	●		●	●	●
	Fruit juices	●	●	●	●	●

Continue >>

Movex

Material chemical resistance

Resistenza chimica dei materiali / Materials chemical resistance / Chemische Beständigkeit der Materialien

LEGEND: ● Resistant | ● Conditionally Resistant | ● Not Resistant

Substances	PBT	POM	PP	PE	PA
at norm climate conditions DIN50014, 23°C/50% r.a.h.	Modular Belts	Modular Belts	Modular Belts	Curves and guides Components	Sprockets Components & Belts
Fuel oil	●	●	●	●	●
G Glycerine	●	●	●	●	●
Glycol	●	●	●	●	●
Glycantine, aqueous solution 40%	●	●	●	●	●
H Heptane, hexane	●	●	●	●	●
Hydrochloric acid, aqueous solution 2%	●	●	●	●	●
Hydrochloric acid, aqueous solution 36%	●	●	●	●	●
Hydrofluoric acid, 40%	●	●	●	●	●
Hydrogen peroxide, aqueous solution 0.5%	●	●	●	●	●
Hydrogen peroxide, aqueous solution 30%	●	●	●	●	●
Hydrogen sulphide	●	●	●	●	●
Hydrogen sulphide, aqueous solution	●	●	●	●	●
I Iodine solution, alcohol solution			●	●	●
Iso-octane			●	●	●
Isopropanol	●	●	●	●	●
L Lactic acid, aqueous solution 10%	●	●	●	●	●
Lactic acid, aqueous solution 90%		●	●	●	●
Linseed oil	●	●	●	●	●
M Methanol	●	●	●	●	●
Methyl ethyl ketone	●	●	●	●	●
Methylene chloride	●	●	●	●	●
Milk	●	●	●	●	●
N Nitric acid, aqueous solution 2%	●	●	●	●	●
Nitrobenzene	●	●	●	●	●
O Oxalic acid, aqueous solution 10%	●	●	●	●	●
Ozone	●	●		●	●
P Paraffin oil	●	●	●	●	●
Perchlorethylene	●	●	●	●	●
Petroleum	●	●	●	●	●
Phenol, aqueous solution	●	●	●	●	●
Phosphoric acid, aqueous solution 10%	●	●	●	●	●
Phosphoric acid, concentrated	●	●	●	●	●
Potassium dichromate, aqueous solution 10%	●	●	●	●	●
Potassium lye, aqueous solution 10%	●	●	●	●	●
Potassium lye, aqueous solution 50%	●	●	●	●	●

Continue >>

Material chemical resistance

Resistenza chimica dei materiali / Materials chemical resistance / Chemische Beständigkeit der Materialien

LEGEND: ● Resistant | ● Conditionally Resistant | ● Not Resistant

Substances	PBT	POM	PP	PE	PA
at norm climate conditions DIN50014, 23°C/50% r.a.h.	Modular Belts	Modular Belts	Modular Belts	Curves and guides Components	Sprockets Components & Belts
Potassium permanganate, aqueous solution 1%	●	●	●	●	●
Propanol	●	●	●	●	●
Pyridine		●	●	●	●
S Salicylic acid	●			●	●
Silicon oils	●	●	●	●	●
Soap solution, aqueous solution	●	●	●	●	●
Soda lye, aqueous solution 5%	●	●	●	●	●
Soda lye, aqueous solution 50%	●	●	●	●	●
Soda solution, aqueous solution 10%	●		●	●	●
Sodium bisulphite, aqueous solution 10%	●	●	●	●	●
Sodium carbonate, aqueous solution 10%	●	●	●	●	●
Sodium chloride, aqueous solution 10%	●	●	●	●	●
Sodium hypochlorite, aqueous solution 10%	●	●	●	●	●
Sodium nitrate, aqueous solution 10%	●	●	●	●	●
Sodium thiosulphate, aqueous solution 10%	●	●	●	●	●
Styrene	●	●	●	●	●
Sulphuric acid, aqueous solution 2%	●	●	●	●	●
Sulphuric acid, concentrated 98%	●	●	●	●	●
T Tar	●	●	●		●
Tartaric acid	●	●	●	●	●
Tetrahydrofurane	●	●	●	●	●
Tetralin	●	●		●	●
Toluene	●	●	●	●	●
Transformer oil	●	●	●	●	●
Trichlorethylene	●	●	●	●	●
Triethanolamine	●	●	●	●	●
U Urea, aqueous solution	●	●	●	●	●
V Vaseline	●	●	●	●	●
W Water, cold	●	●	●	●	●
Water, warm	●	●	●	●	●
Wax, molten	●	●	●	●	●
Wine, brandy	●	●	●	●	●
X Xylene	●	●	●	●	●
Z Zinc chloride, aqueous solution 10%	●	●	●	●	●

Resistenza chimica dei materiali / Materials chemical resistance / Chemische Beständigkeit der Materialien

General

LEGEND: ● Resistant | ● Conditionally Resistant | ● Not Resistant

Test condition	PBT	POM	PP	PE	PA
at norm climate conditions DIN50014, 23°C/50% r.a.h.	Modular Belts	Modular Belts	Modular Belts	Curves and guides Components	Sprockets Components & Belts
Acids, weak	●	●	●	●	●
Acids, strong	●	●	●	●	●
Alkalines, weak	●	●	●	●	●
Alkalines, strong	●	●	●	●	●
Solvents, alcohol	●	●	●	●	●
Solvents, ester	●	●	●	●	●
Solvents, ether	●	●	●	●	●
Solvents, Ketone	●	●	●	●	●
Water, cold	●	●	●	●	●
Water, hot	●	●	●	●	●

PH-Range

General pH-limits at 23°C	PBT	POM	PP	PE	PA
Lower limit	2	4	1	1	4
Upper limit	9	13	13,5	13,5	12

Extruded and machined plastic materials

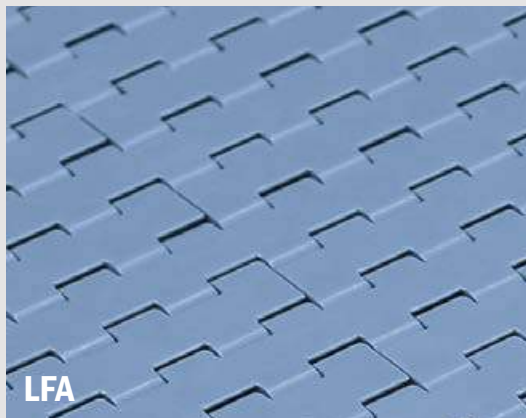
LEGEND: ● Very good | ● Good | ● Satisfactory

Test condition	UHMWPE	BluLub
at 23°C	Extremely high mol. weight	UHMWPE w/built in lubrication
Mechanical resistance		
Wear resistance against steel chains	●	●
Wear resistance against plastic chains	●	●
Chemical resistance		
Against acids	●	●
Against alkalines	●	●
Against oils	●	●
Against solvents	●	●
Application temperatures		
°C -	-40	-40
°C + (shortly)	80 (100)	50 (80)

Pin materials

General pH-limits at 23°C	PBT	POM	PP	PE	PA
Lower limit	2	4	1	1	4
Upper limit	9	13	13,5	13,5	12

POM based material



Also available:

LFB

LFD

LFG

LFN

LFW

Description

Low friction Acetal Resin.

This material can be used in all common applications.

Primary Components: POM

General information

Material	Chemical abbreviation	Allowable application temperatures						FDA Approval
		Fahrenheit			Celsius			
		Min	Max		Min	Max		
			Dry	Wet		Dry	Wet	
Low friction acetal	POM	-40	176	149	-40	80	65	YES

Friction Factors Between Material and Product

Lubrication	Product Material					
	Paper & carton	Metal (steel)	Aluminium	Plastics & PET	Glass (returnable)	Glass (new)
Dry	0,28	0,25	0,25	0,21	0,24	0,20
Water	n.a.	0,20	0,18	0,16	0,18	0,15
W&s & Dry lube	n.a.	0,15	0,14	0,13	0,14	0,12
Oil	n.a.	0,10	n.a.	n.a.	n.a.	n.a.

Friction Factors Between Material and Product

Lubrication	Wearstrip Material		
	Stainless steel	UHMW-PE & PA	<i>BluLub</i> ®
Dry	0,24	0,20	0,18
Water	0,19	0,16	0,14
W&s & Dry lube	0,15	0,10	0,10
Oil	0,10	0,10	0,10

Note

Material properties and performance of final product are subject to variation according to operating conditions, e.g. environmental conditions, chemicals, cleanliness.

MPX



Materials

Description

High performance Material with a low coefficient of friction.

This material can increase wear life 25% over LF material.

Primary Components: POM

General information

Material	Chemical abbreviation	Allowable application temperatures						FDA Approval
		Fahrenheit			Celsius			
		Min	Max		Min	Max		
			Dry	Wet		Dry	Wet	
Lucricated Acetal	POM	-40	176	149	-40	80	65	YES

Friction Factors Between Material and Product

Lubrication	Product Material					
	Paper & carton	Metal (steel)	Aluminium	Plastics & PET	Glass (returnable)	Glass (new)
Dry	0,24	0,22	0,21	0,19	0,21	0,16
Water	n.a.	0,19	0,17	0,15	0,17	0,14
W&s & Dry lube	n.a.	0,15	0,14	0,13	0,13	0,12
Oil	n.a.	0,10	n.a.	n.a.	n.a.	n.a.

Friction Factors Between Material and Product

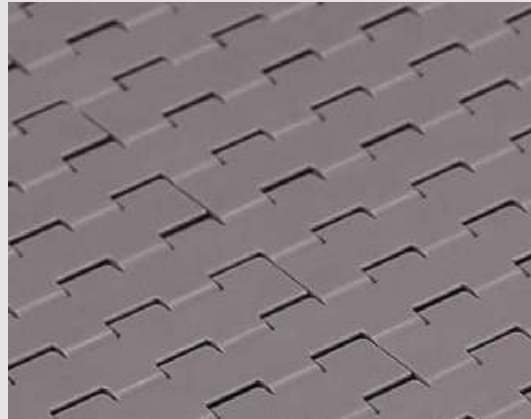
Lubrication	Wearstrip Material		
	Stainless steel	UHMW-PE & PA	<i>BluLub</i> ®
Dry	0,23	0,19	0,17
Water	0,19	0,15	0,14
W&s & Dry lube	0,15	0,10	0,10
Oil	0,10	0,10	0,10

Note

Material properties and performance of final product are subject to variation according to operating conditions, e.g. environmental conditions, chemicals, cleanliness.

MP

Materials



Description

High performance Material with a low coefficient of friction.

This material can increase wear life 25% over LF material.

Primary Components: POM

General information

Material	Chemical abbreviation	Allowable application temperatures						FDA Approval
		Fahrenheit			Celsius			
		Min	Max		Min	Max		
			Dry	Wet		Dry	Wet	
Lucricated Acetal	POM	-40	176	149	-40	80	65	YES

Friction Factors Between Material and Product

Lubrication	Product Material					
	Paper & carton	Metal (steel)	Aluminium	Plastics & PET	Glass (returnable)	Glass (new)
Dry	0,24	0,22	0,21	0,19	0,21	0,16
Water	n.a.	0,19	0,17	0,15	0,17	0,14
W&s & Dry lube	n.a.	0,15	0,14	0,13	0,13	0,12
Oil	n.a.	0,10	n.a.	n.a.	n.a.	n.a.

Friction Factors Between Material and Product

Lubrication	Wearstrip Material		
	Stainless steel	UHMW-PE & PA	BluLub®
Dry	0,23	0,19	0,17
Water	0,19	0,15	0,14
W&s & Dry lube	0,15	0,10	0,10
Oil	0,10	0,10	0,10

Note

Material properties and performance of final product are subject to variation according to operating conditions, e.g. environmental conditions, chemicals, cleanliness.

DKM



Materials

Description**Aramide reinforced acetal material***It's commonly used in dry running glass handling applications.***Primary Component:** POM**General information**

Material	Chemical abbreviation	Allowable application temperatures						FDA Approval
		Fahrenheit			Celsius			
		Min	Max		Min	Max		
			Dry	Wet		Dry	Wet	
Aramide reinforced acetal	POM	-40	176	149	-40	80	65	-

Friction Factors Between Material and Product

Lubrication	Product Material					
	Paper & carton	Metal (steel)	Aluminium	Plastics & PET	Glass (returnable)	Glass (new)
Dry	0,21	0,19	0,16	0,20	0,15	0,13
Water	n.a.	0,17	0,15	0,15	0,14	0,13
W&s & Dry lube	n.a.	0,14	0,13	0,13	0,12	0,11
Oil	n.a.	0,10	n.a.	n.a.	n.a.	n.a.

Friction Factors Between Material and Product

Lubrication	Wearstrip Material		
	Stainless steel	UHMW-PE & PA	<i>BluLub</i> ®
Dry	0,21	0,19	0,17
Water	0,18	0,15	0,14
W&s & Dry lube	0,15	0,11	0,11
Oil	0,10	0,10	0,10

Note

Material properties and performance of final product are subject to variation according to operating conditions, e.g. environmental conditions, chemicals, cleanliness.

AS

Materials

**Description****AS material**

eliminates the static accumulation that can happen during conveying products.

Primary Components: POM

General information

Material	Chemical abbreviation	Allowable application temperatures						FDA Approval
		Fahrenheit			Celsius			
		Min	Max		Min	Max		
			Dry	Wet		Dry	Wet	
Antistatic Acetal	POM	-4	180	N.R.	-18	82	N.R.	YES

Friction Factors Between Material and Product

Lubrication	Product Material					
	Paper & carton	Metal (steel)	Aluminium	Plastics & PET	Glass (returnable)	Glass (new)
Dry	0,35	0,28	0,29	0,25	0,27	0,24
Water	n.a.	n.a.	n.a.	n.a.	n.a.	n.a.
W&s & Dry lube	n.a.	n.a.	n.a.	n.a.	n.a.	n.a.
Oil	n.a.	n.a.	n.a.	n.a.	n.a.	n.a.

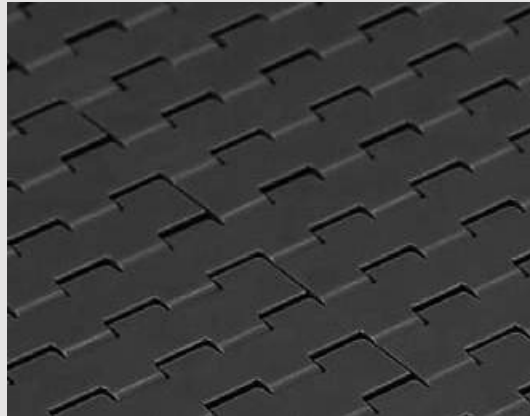
Friction Factors Between Material and Product

Lubrication	Wearstrip Material		
	Stainless steel	UHMW-PE & PA	<i>BluLub</i> ®
Dry	0,27	0,22	0,20
Water	n.a.	n.a.	n.a.
W&s & Dry lube	n.a.	n.a.	n.a.
Oil	n.a.	n.a.	n.a.

Note

Material properties and performance of final product are subject to variation according to operating conditions, e.g. environmental conditions, chemicals, cleanliness.

MX



Materials

Description

Extra Performance material (PBT with additives) with a very low coefficient of friction and improved wear resistance. Recommended for high speed and dry running applications.

Primary Components: PBT

General information

Material	Chemical abbreviation	Allowable application temperatures						FDA Approval
		Fahrenheit			Celsius			
		Min	Max		Min	Max		
			Dry	Wet		Dry	Wet	
Performance PBT	PBT	-40	248	140	-40	120	60	YES

Friction Factors Between Material and Product

Lubrication	Product Material					
	Paper & carton	Metal (steel)	Aluminium	Plastics & PET	Glass (returnable)	Glass (new)
Dry	0,20	0,18	0,15	0,13	0,14	0,12
Water	n.a.	0,16	0,14	0,12	0,13	0,12
W&s & Dry lube	n.a.	0,13	0,12	0,10	0,11	0,10
Oil	n.a.	0,10	n.a.	n.a.	n.a.	n.a.

Friction Factors Between Material and Product

Lubrication	Wearstrip Material		
	Stainless steel	UHMW-PE & PA	<i>BluLub</i> ®
Dry	0,20	0,16	0,13
Water	0,17	0,11	0,09
W&s & Dry lube	0,14	0,09	0,08
Oil	0,10	0,10	0,10

Note

Material properties and performance of final product are subject to variation according to operating conditions, e.g. environmental conditions, chemicals, cleanliness.

PFX

Materials



Description

Extra Performance material (PBT with additives) with a very low coefficient of friction and improved wear resistance. Recommended for high speed and dry running applications.

Primary Components: PBT

General information

Material	Chemical abbreviation	Allowable application temperatures						FDA Approval
		Fahrenheit			Celsius			
		Min	Max		Min	Max		
			Dry	Wet		Dry	Wet	
Extra performance PBT	PBT	-40	248	140	-40	120	60	YES

Friction Factors Between Material and Product

Lubrication	Product Material					
	Paper & carton	Metal (steel)	Aluminium	Plastics & PET	Glass (returnable)	Glass (new)
Dry	0,18	0,16	0,14	0,10	0,11	0,10
Water	n.a.	0,14	0,13	0,11	0,12	0,11
W&s & Dry lube	n.a.	0,12	0,11	0,09	0,10	0,09
Oil	n.a.	0,09	n.a.	n.a.	n.a.	n.a.

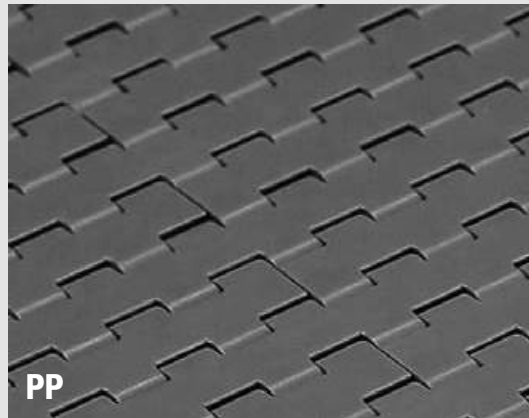
Friction Factors Between Material and Product

Lubrication	Wearstrip Material		
	Stainless steel	UHMW-PE & PA	BluLub®
Dry	0,18	0,16	0,12
Water	0,15	0,10	0,08
W&s & Dry lube	0,13	0,08	0,07
Oil	0,09	0,09	0,09

Note

Material properties and performance of final product are subject to variation according to operating conditions, e.g. environmental conditions, chemicals, cleanliness.

PP-PPB-PPW



Also available:

PPB

PPW

Description

Polypropylene

for better chemical resistance and higher temperatures.

Primary Component: PP

General information

Material	Chemical abbreviation	Allowable application temperatures						FDA Approval
		Fahrenheit			Celsius			
		Min	Max		Min	Max		
			Dry	Wet		Dry	Wet	
Polypropylene	PP	40	220	220	4	104	104	YES

Friction Factors Between Material and Product

Lubrication	Product Material					
	Paper & carton	Metal (steel)	Aluminium	Plastics & PET	Glass (returnable)	Glass (new)
Dry	0,40	0,30	0,32	0,28	0,29	0,26
Water	n.a.	0,24	0,26	0,22	0,23	0,21
W&s & Dry lube	n.a.	0,20	0,20	0,18	0,19	0,18
Oil	n.a.	0,10	n.a.	n.a.	n.a.	n.a.

Friction Factors Between Material and Product

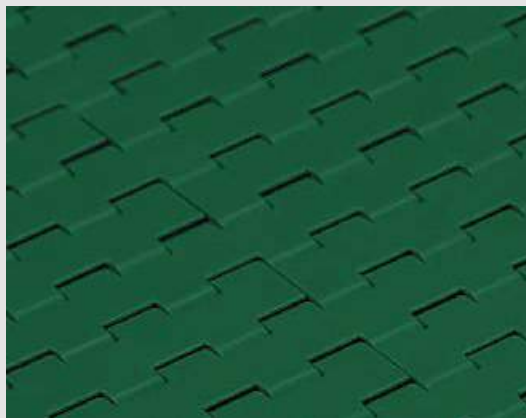
Lubrication	Wearstrip Material		
	Stainless steel	UHMW-PE & PA	<i>BluLub</i> ®
Dry	0,29	0,24	0,21
Water	0,23	0,19	0,17
W&s & Dry lube	0,19	0,13	0,13
Oil	0,10	0,10	0,10

Note

Material properties and performance of final product are subject to variation according to operating conditions, e.g. environmental conditions, chemicals, cleanliness.

PPX

Materials



Description

Reinforced Polypropylene

for improved heat stability and chemical resistance.

Primary Component: PP

General information

Material	Chemical abbreviation	Allowable application temperatures						FDA Approval
		Fahrenheit			Celsius			
		Min	Max		Min	Max		
			Dry	Wet		Dry	Wet	
Reinforced Polypropylene	PP	40	220	220	4	104	104	YES

Friction Factors Between Material and Product

Lubrication	Product Material					
	Paper & carton	Metal (steel)	Aluminium	Plastics & PET	Glass (returnable)	Glass (new)
Dry	0,40	0,30	0,32	0,28	0,29	0,26
Water	n.a.	0,24	0,26	0,22	0,23	0,21
W&s & Dry lube	n.a.	0,20	0,20	0,18	0,19	0,18
Oil	n.a.	0,10	n.a.	n.a.	n.a.	n.a.

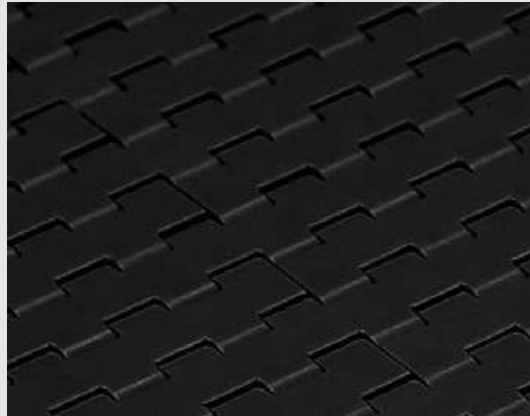
Friction Factors Between Material and Product

Lubrication	Wearstrip Material		
	Stainless steel	UHMW-PE & PA	BluLub®
Dry	0,29	0,24	0,21
Water	0,23	0,19	0,17
W&s & Dry lube	0,19	0,13	0,13
Oil	0,10	0,10	0,10

Note

Material properties and performance of final product are subject to variation according to operating conditions, e.g. environmental conditions, chemicals, cleanliness.

MWX



Materials

Description

MWX increases wear life

Used in applications where chain is subject to abrasives conditions such as glass sand and dirt.

Primary Component: Nylon (PA)

General information

Material	Chemical abbreviation	Allowable application temperatures						FDA Approval
		Fahrenheit			Celsius			
		Min	Max		Min	Max		
			Dry	Wet		Dry	Wet	
Polyamid Composite	PA	-40	219	N.R.	-40	104	N.R.	-

Friction Factors Between Material and Product

Lubrication	Product Material					
	Paper & carton	Metal (steel)	Aluminium	Plastics & PET	Glass (returnable)	Glass (new)
Dry	0,24	0,21	0,18	0,15	0,17	0,14
Water	n.a.	0,19	0,17	0,14	0,15	0,14
W&s & Dry lube	n.a.	0,15	0,14	0,12	0,13	0,12
Oil	n.a.	0,10	n.a.	n.a.	n.a.	n.a.

Friction Factors Between Material and Product

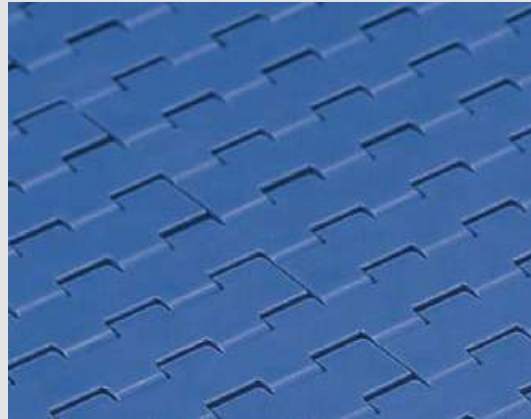
Lubrication	Wearstrip Material		
	Stainless steel	UHMW-PE & PA	<i>BluLub</i> ®
Dry	0,24	0,19	0,15
Water	0,20	0,13	0,11
W&s & Dry lube	0,17	0,11	0,09
Oil	0,10	0,10	0,10

Note

Material properties and performance of final product are subject to variation according to operating conditions, e.g. environmental conditions, chemicals, cleanliness.

PA

Materials



Description

PA Polyamide composite

The high crystallinity of this material gives it excellent mechanical properties such as high abrasion, high wear resistance as well as good hardness and stiffness.

Primary Components: Nylon

General information

Material	Chemical abbreviation	Allowable application temperatures						FDA Approval
		Fahrenheit			Celsius			
		Min	Max		Min	Max		
			Dry	Wet		Dry	Wet	
Polyamid Composite	PA	-40	219	N.R.	-40	104	N.R.	-

Friction Factors Between Material and Product

Lubrication	Product Material					
	Paper & carton	Metal (steel)	Aluminium	Plastics & PET	Glass (returnable)	Glass (new)
Dry	0,24	0,21	0,18	0,15	0,17	0,14
Water	n.a.	0,19	0,17	0,14	0,15	0,14
W&s & Dry lube	n.a.	0,15	0,14	0,12	0,13	0,12
Oil	n.a.	0,10	n.a.	n.a.	n.a.	n.a.

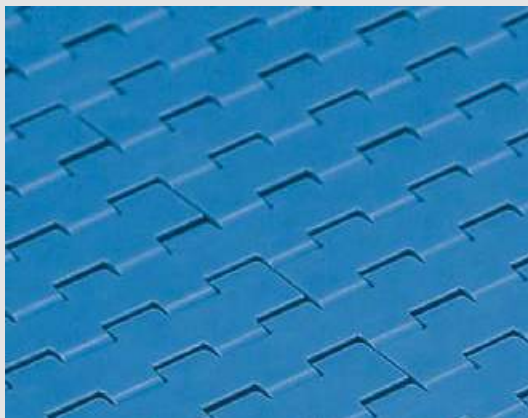
Friction Factors Between Material and Product

Lubrication	Wearstrip Material		
	Stainless steel	UHMW-PE & PA	BluLub®
Dry	0,24	0,19	0,15
Water	0,20	0,13	0,11
W&s & Dry lube	0,17	0,11	0,09
Oil	0,10	0,10	0,10

Note

Material properties and performance of final product are subject to variation according to operating conditions, e.g. environmental conditions, chemicals, cleanliness.

PE



Materials

Description**PE Polyethylene**

Thermoplastic polymer produced from the monomer ethylene. It is a versatile thermoplastic polymer with a range of material properties that make it widely used in various applications.

Primary Components: Polyethylene

General information

Material	Chemical abbreviation	Allowable application temperatures						FDA Approval
		Fahrenheit			Celsius			
		Min	Max		Min	Max		
			Dry	Wet		Dry	Wet	
Polyethylene	PE	-58	176	N.R.	-50	80	N.R.	YES

Friction Factors Between Material and Product

Lubrication	Product Material				
	Paper & carton	Metal	Plastic	Glass (returnable)	Glass (new)
Dry	0,19	0,20	0,13	0,15	0,10
Wet	n.a.	0,17	0,11	0,13	0,09

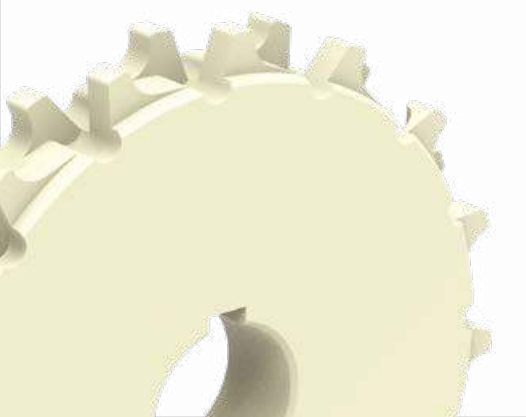
Friction Factors Between Material and Product

Lubrication	Wearstrip Material		
	Stainless steel	UHMW-PE & PA	BluLub®
Dry	0,23	0,31	0,26
Wet	0,21	0,28	0,24

Note

Material properties and performance of final product are subject to variation according to operating conditions, e.g. environmental conditions, chemicals, cleanliness.

Polyamide - PA



Description

PA Polyamide composite

The high crystallinity of this material gives it excellent mechanical properties such as high abrasion, high wear resistance as well as good hardness and stiffness.

Primary Component: Polyamide (PA)

Screws: Stainless steel

Nuts: Zinc plated steel

Materials

General information

Material	Chemical abbreviation	Allowable application temperatures						FDA Approval
		Fahrenheit			Celsius			
		Min	Max		Min	Max		
			Dry	Wet		Dry	Wet	
Polyamide	PA	-40	221	N.R.	-40	105	N.R.	YES

Note: Material properties and performance of final product are subject to variation according to operating conditions, e.g. environmental conditions, chemicals, cleanliness.

Polyamide - PA



Description

PA Polyamide composite

The high crystallinity of this material gives it excellent mechanical properties such as high abrasion, high wear resistance as well as good hardness and stiffness.

Primary Component: Polyamide (PA)

Screws: Stainless steel

Nuts: Zinc plated steel

Materials

General information

Material	Chemical abbreviation	Allowable application temperatures						FDA Approval
		Fahrenheit			Celsius			
		Min	Max		Min	Max		
			Dry	Wet		Dry	Wet	
Polyamide	PA	-40	221	N.R.	-40	105	N.R.	YES

Note: Material properties and performance of final product are subject to variation according to operating conditions, e.g. environmental conditions, chemicals, cleanliness.

Acetal resin - POM



Description

Low friction Acetal Resin.

This material can be used in all common applications.

Primary Components: POM

Screws: Stainless steel

Nuts: Stainless steel

Materials

General information

Material	Chemical abbreviation	Allowable application temperatures						FDA Approval
		Fahrenheit			Celsius			
		Min	Max		Min	Max		
			Dry	Wet		Dry	Wet	
Low friction acetal	POM	-40	176	149	-40	80	65	YES

Note: Material properties and performance of final product are subject to variation according to operating conditions, e.g. environmental conditions, chemicals, cleanliness.

Movex®

This catalog presents and includes the latest generations of products shown in earlier publications and it relates to the current production.

Other information, which may be different from that contained in this catalogue has to be considered invalid.

Movex® S.p.A. reserves the right to carry out modifications rendered necessary by the technical evolution of the products.

© Copyright **Movex® S.p.A.** 2024

The contents of this catalogue are the copyright of **Movex® S.p.A.** and may not be reproduced (even extracts) unless written permission is granted.

Every care has been taken to ensure the accuracy of the information contained in this publication but no liability can be accepted for any error or omissions.

Catalog N° M999516_V3

The digital version of this catalog
is available on:

www.movexii.com

Movex S.p.A.

Headquarters

Viale Industria, 22
24060 Castelli Calepio (BG)

Logistics Center

Via della Repubblica, 21/E
24060 Castelli Calepio (BG)

Phone +39 035 8359711

info@movexii.com

www.movexii.com

Follow us [!\[\]\(17413706fd4997a1a4bdf85c6864eee1_img.jpg\)](#) [!\[\]\(f419710cbe076aa30a9c6c031b5cbe84_img.jpg\)](#) [!\[\]\(2726020a4107bdc9042b257034f90eb3_img.jpg\)](#) [!\[\]\(9459655bf14a84f4d775e8d814cca8c9_img.jpg\)](#)

#MovexWorld

Movex worldwide

Movex GmbH

P +49-6204-9375-0

Movex Brasil Ltda

P +55-15-3141-2550

Movex France

P +33-06-21-02-79-15

Movex AG India

P +91-120-4159660-62

Movex UK Ltd.

P +44-77-20678442

Movex Nederland

P +31-630-994850

Movex USA Inc.

P +1-877-401-5377

Movex SA de CV

P +52-1-3318458187

Movex CIS Countries

P +39-348-7769760

